



Chipsmall Limited consists of a professional team with an average of over 10 year of expertise in the distribution of electronic components. Based in Hongkong, we have already established firm and mutual-benefit business relationships with customers from,Europe,America and south Asia,supplying obsolete and hard-to-find components to meet their specific needs.

With the principle of “Quality Parts,Customers Priority,Honest Operation,and Considerate Service”,our business mainly focus on the distribution of electronic components. Line cards we deal with include Microchip,ALPS,ROHM,Xilinx,Pulse,ON,Everlight and Freescale. Main products comprise IC,Modules,Potentiometer,IC Socket,Relay,Connector.Our parts cover such applications as commercial,industrial, and automotives areas.

We are looking forward to setting up business relationship with you and hope to provide you with the best service and solution. Let us make a better world for our industry!



Contact us

Tel: +86-755-8981 8866 Fax: +86-755-8427 6832

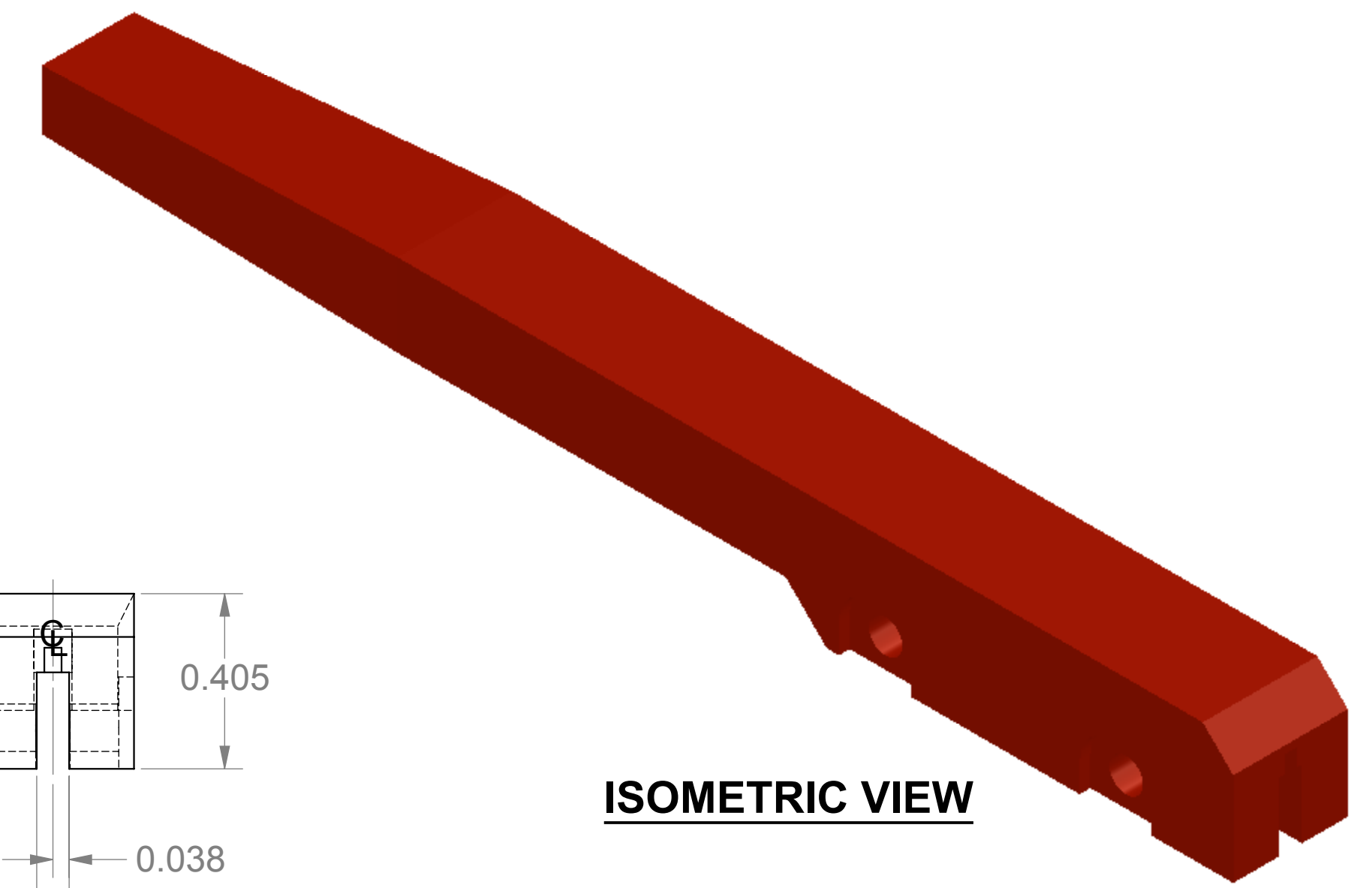
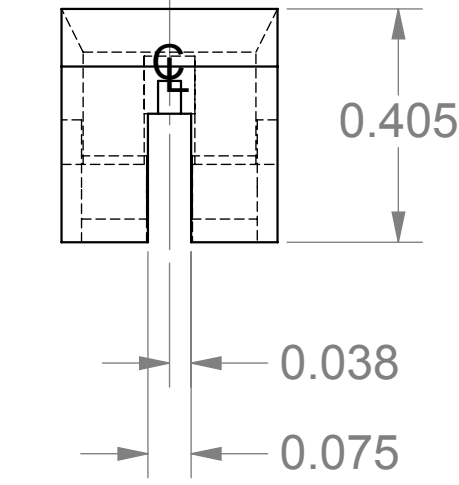
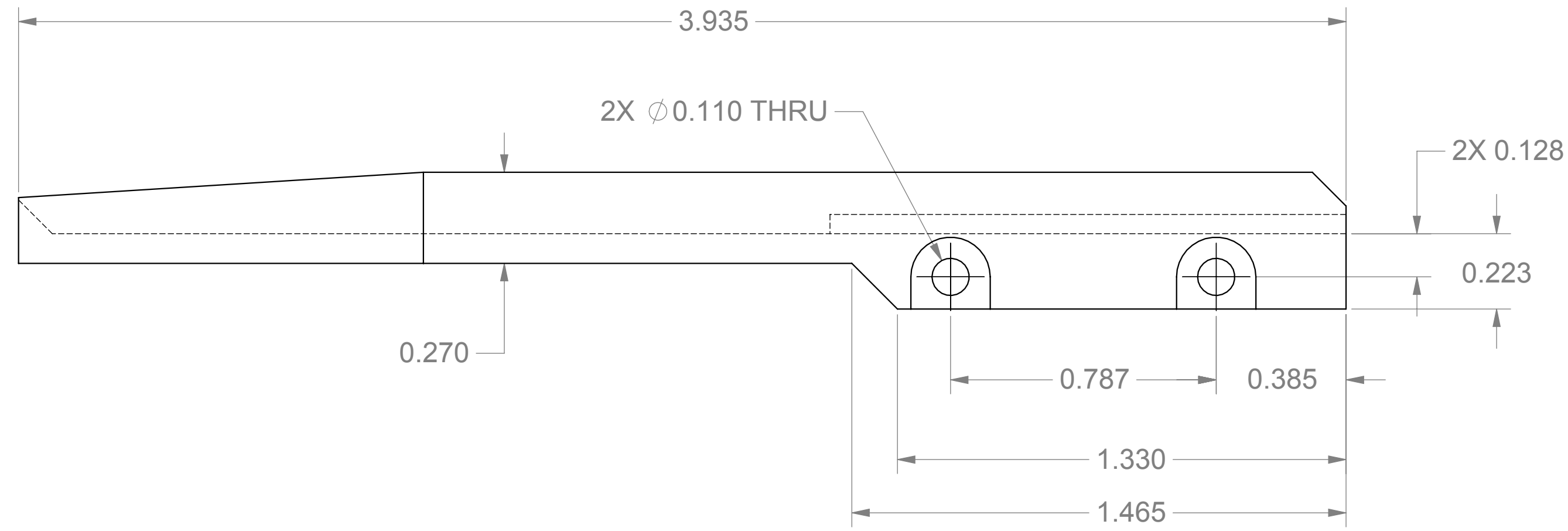
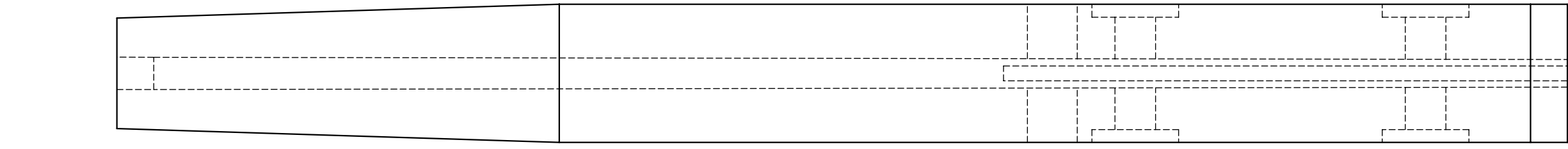
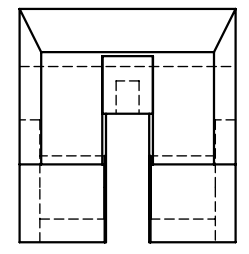
Email & Skype: info@chipsmall.com Web: www.chipsmall.com

Address: A1208, Overseas Decoration Building, #122 Zhenhua RD., Futian, Shenzhen, China

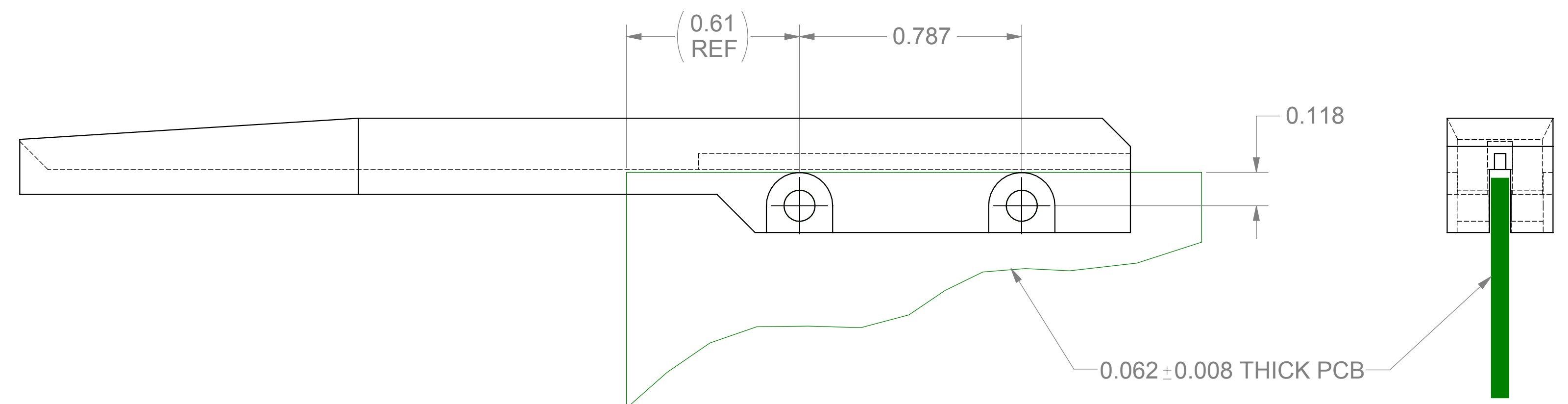
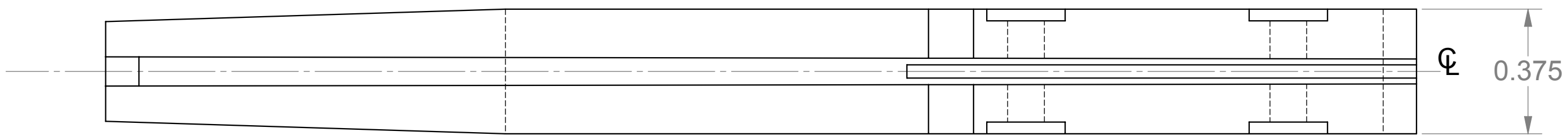


PROPRIETARY AND CONFIDENTIAL
 THE INFORMATION CONTAINED IN THIS DRAWING IS THE SOLE PROPERTY OF VECTOR ELECTRONICS & TECH., INC. ANY REPRODUCTION IN PART OR AS A WHOLE WITHOUT THE WRITTEN PERMISSION OF VECTOR ELECTRONICS & TECH., INC. IS PROHIBITED.

REVISIONS				
ZONE	REV	DESCRIPTION	DATE	APPROVED
ALL	A	INITIAL RELEASE	09/08/10	



ISOMETRIC VIEW



RECOMMENDED PCB MOUNTING

- 2. FLAME RATING : UL94-V0
- 1. MATERIAL : POLYBUTYLENE TEREPHTHALATE (PBT) POLYESTER RESIN, 30% GLASS

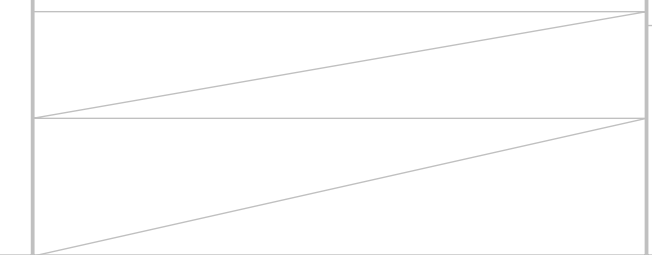
NOTES : UNLESS OTHERWISE SPECIFIED

UNLESS OTHERWISE SPECIFIED
 DIMENSIONS ARE IN INCHES
 TOLERANCES:
 DEC .X ±.050
 DEC .XX ±.030
 DEC .XXX ±.010
 FRACTIONS ±.050
 ANGLES ±1°

APPROVALS	NAME	DATE
DRAWN	TRUSHAR	09/08/10
CHECKED		
ENGINEER		
QA		

VECTOR 11115 VANOWEN ST.,
 NORTH HOLLYWOOD,
 CA 91605
 ELECTRONICS & TECHNOLOGY, INC. www.vectorelect.com

EXTENDER CARD BRACKET



THIRD ANGLE PROJECTION

SIZE	DWG. NO.	REV
D	5210211#	A
SCALE: 3:1	CAGE CODE: 82893	SHEET 1 OF 1