



Chipsmall Limited consists of a professional team with an average of over 10 year of expertise in the distribution of electronic components. Based in Hongkong, we have already established firm and mutual-benefit business relationships with customers from,Europe,America and south Asia,supplying obsolete and hard-to-find components to meet their specific needs.

With the principle of "Quality Parts,Customers Priority,Honest Operation,and Considerate Service",our business mainly focus on the distribution of electronic components. Line cards we deal with include Microchip,ALPS,ROHM,Xilinx,Pulse,ON,Everlight and Freescale. Main products comprise IC,Modules,Potentiometer,IC Socket,Relay,Connector.Our parts cover such applications as commercial,industrial, and automotives areas.

We are looking forward to setting up business relationship with you and hope to provide you with the best service and solution. Let us make a better world for our industry!



Contact us

Tel: +86-755-8981 8866 Fax: +86-755-8427 6832

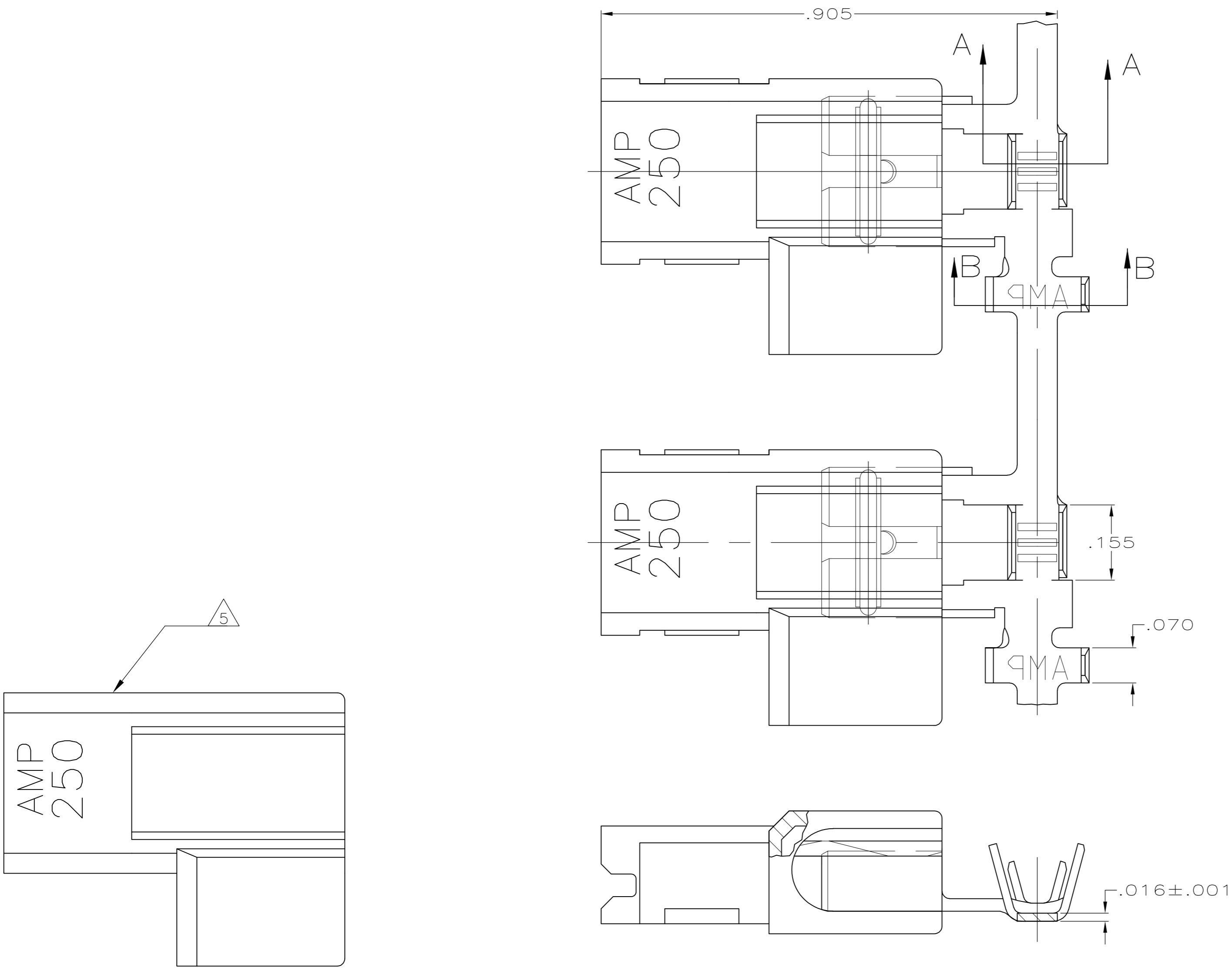
Email & Skype: info@chipsmall.com Web: www.chipsmall.com

Address: A1208, Overseas Decoration Building, #122 Zhenhua RD., Futian, Shenzhen, China

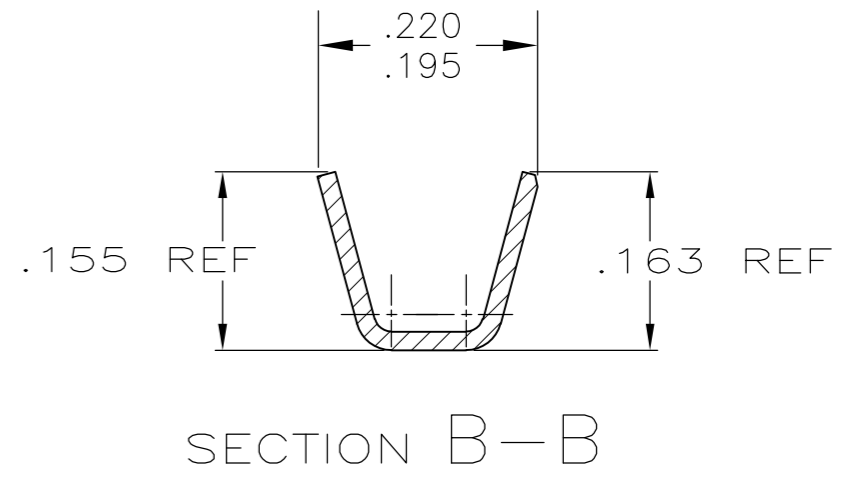
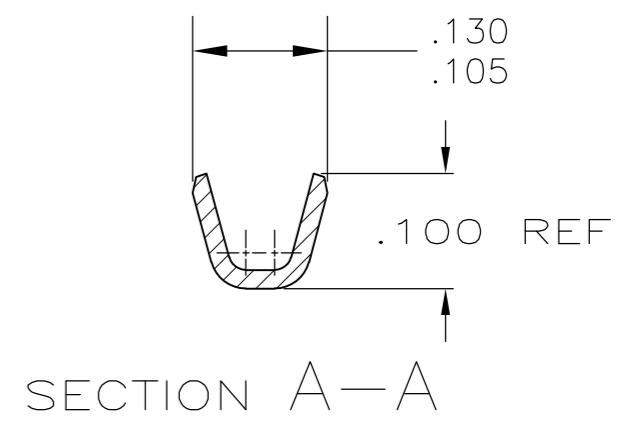


THIS DRAWING IS UNPUBLISHED. RELEASED FOR PUBLICATION
 © COPYRIGHT - By - ALL RIGHTS RESERVED.

LOC		DIST		REVISIONS			
P	LTR	DESCRIPTION		DATE	DWN	APVD	
AF	50	H2	REVISED PER ECR-12-013219	08JAN13	KH	KR	



- 1 USE BUDGET FLAG FASTON TERMINAL BASE P/N 521049, IN THIS PRODUCT.
- 2 WIRE SIZE IS #22-#18 AWG
- 3 INSULATION RANGE IS .050-.100 DIA
- 4 FITS .250 X .032 THK FASTON TAB
- 5 ALTERNATIVE HOUSING FORM



6/6 NYLON / NATURAL	BRASS - TIN PLATED	521050-2
6/6 NYLON / NATURAL	BRASS - PLAIN	521050-1
HOUSING - MATERIAL & FINISH	TERMINAL - MATERIAL & FINISH	PART NO
THIS DRAWING IS A CONTROLLED DOCUMENT.		DWN JR RUTH 7/8/93
DIMENSIONS: INCHES		CHK MS FEHER 7/8/93
TOLERANCES UNLESS OTHERWISE SPECIFIED:		APVD D BRATINA 7/8/93
0 PLC ± -		NAME STE TE Connectivity ASSEMBLY, RECEPTACLE, FLAG, ULTRA-POD, .250 SERIES
1 PLC ± -		
2 PLC ± -		
3 PLC ± 0.25 [.010]		
4 PLC ± -		
ANGLES ± -		PRODUCT SPEC 108-1285
FINISH		APPLICATION SPEC 114-2124
MATERIAL SEE TABLE	FINISH SEE TABLE	WEIGHT -
CUSTOMER DRAWING		SIZE A2
		CAGE CODE 00779
		DRAWING NO 521050
		RESTRICTED TO -
		SCALE 6:1
		SHEET 1 of 1
		REV H2