



Chipsmall Limited consists of a professional team with an average of over 10 year of expertise in the distribution of electronic components. Based in Hongkong, we have already established firm and mutual-benefit business relationships with customers from,Europe,America and south Asia,supplying obsolete and hard-to-find components to meet their specific needs.

With the principle of “Quality Parts,Customers Priority,Honest Operation,and Considerate Service”,our business mainly focus on the distribution of electronic components. Line cards we deal with include Microchip,ALPS,ROHM,Xilinx,Pulse,ON,Everlight and Freescale. Main products comprise IC,Modules,Potentiometer,IC Socket,Relay,Connector.Our parts cover such applications as commercial,industrial, and automotives areas.

We are looking forward to setting up business relationship with you and hope to provide you with the best service and solution. Let us make a better world for our industry!



Contact us

Tel: +86-755-8981 8866 Fax: +86-755-8427 6832

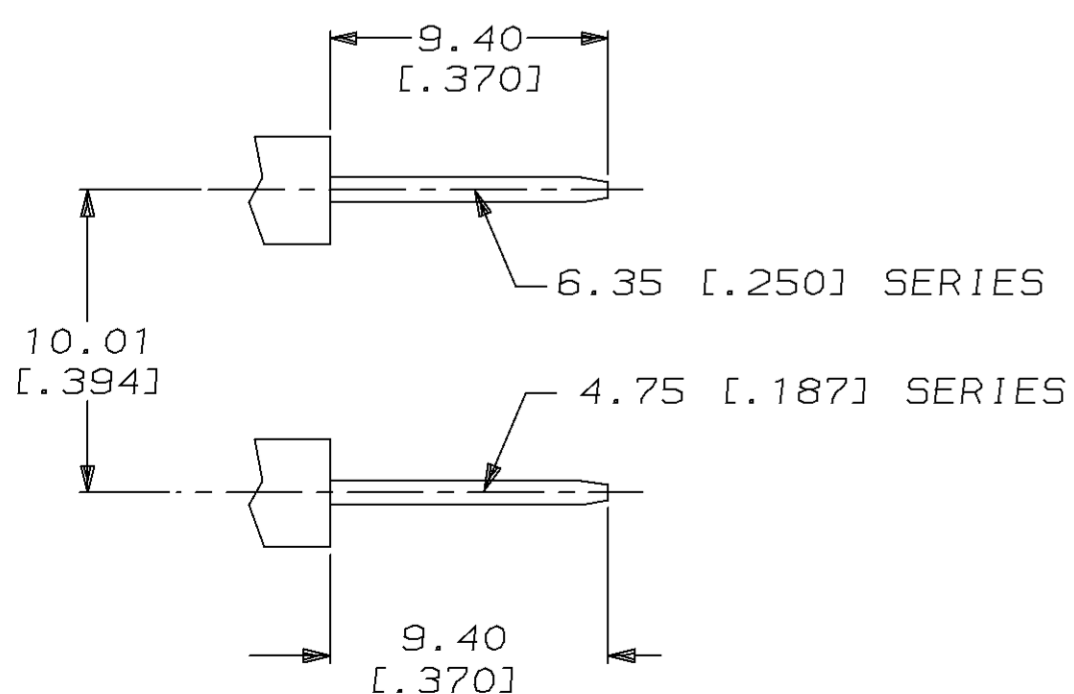
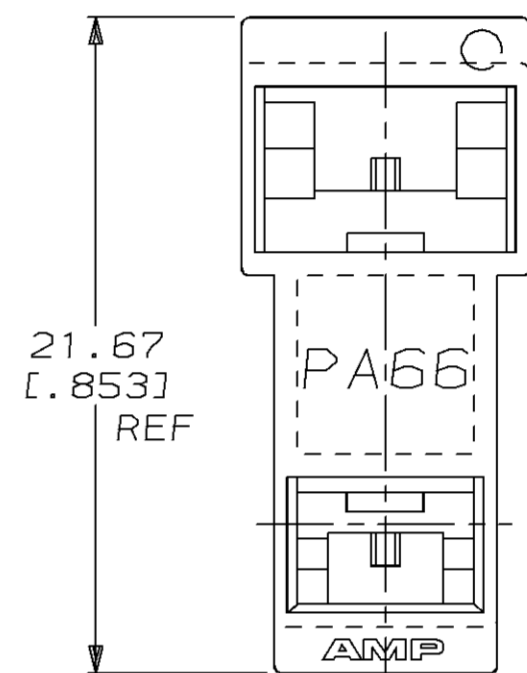
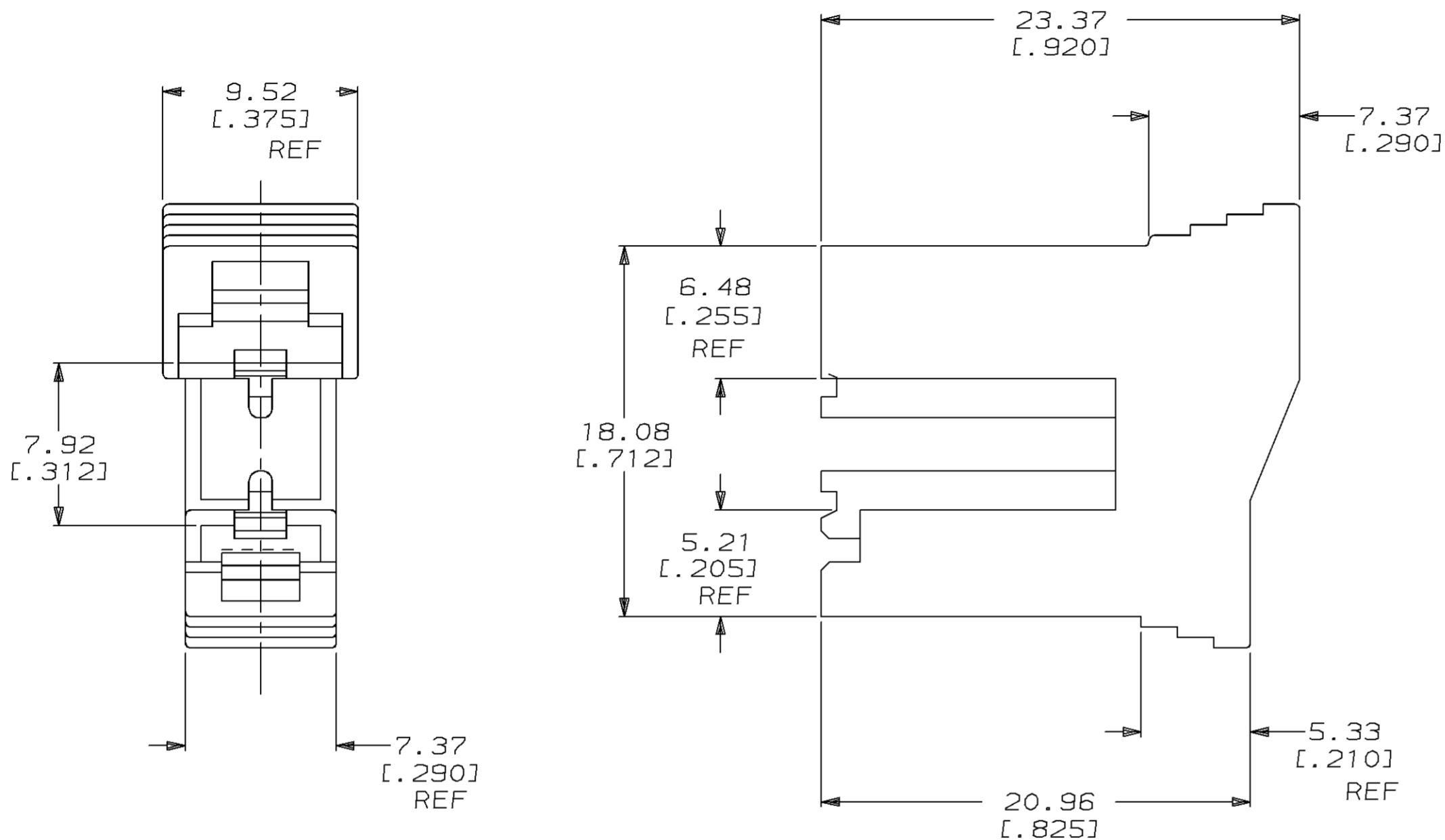
Email & Skype: info@chipsmall.com Web: www.chipsmall.com

Address: A1208, Overseas Decoration Building, #122 Zhenhua RD., Futian, Shenzhen, China



LOC		DIST		P		F		ZONE		LTR		REVISIONS		DATE	APPD
AF	50												REV PER 0710-0217-96	5/28/96	JR/RB

1 CENTERLINE LOCATION OF MATING TABS MUST BE HELD TO A TOLERANCE OF ±.005 TO INSURE PROPER MATING WITH THIS HOUSING.



MATING TAB CONFIGURATION

THIS DRAWING IS A CONTROLLED DOCUMENT FOR AMP INCORPORATED. IT IS SUBJECT TO CHANGE AND THE CONTROLLING ENGINEERING ORGANIZATION SHOULD BE CONTACTED FOR THE LATEST REVISION.

DO NOT SCALE PRINT. UNLESS SPECIFIED DIMENSIONS IN mm [INCHES] TOLERANCES ON : 2 PLC DEC ± 0.25 [.010] 3 PLC DEC ± - ANGLES ± -		DR 5/24/94 JR RUTH	AMP Incorporated Harrisburg, PA 17105-3608	
MATERIAL NYLON 6/6	CHK 5/24/94 R BUCHHEISTER	APPD 5/24/94 R BEAVER		
FINISH BLACK	APPD 5/24/94 R REINER	PRODUCT SPEC -	SIZE C 00779	DRAWING NO G=521064
	APPLICATION SPEC -	WEIGHT -	SCALE 4:1	SHEET 1 OF 1

521064-1

PART NO