



Chipsmall Limited consists of a professional team with an average of over 10 year of expertise in the distribution of electronic components. Based in Hongkong, we have already established firm and mutual-benefit business relationships with customers from,Europe,America and south Asia,supplying obsolete and hard-to-find components to meet their specific needs.

With the principle of “Quality Parts,Customers Priority,Honest Operation,and Considerate Service”,our business mainly focus on the distribution of electronic components. Line cards we deal with include Microchip,ALPS,ROHM,Xilinx,Pulse,ON,Everlight and Freescale. Main products comprise IC,Modules,Potentiometer,IC Socket,Relay,Connector.Our parts cover such applications as commercial,industrial, and automotives areas.

We are looking forward to setting up business relationship with you and hope to provide you with the best service and solution. Let us make a better world for our industry!



## Contact us

Tel: +86-755-8981 8866 Fax: +86-755-8427 6832

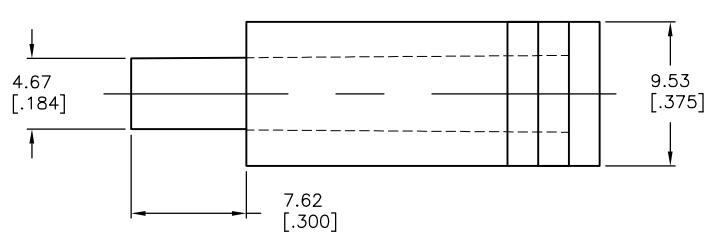
Email & Skype: info@chipsmall.com Web: www.chipsmall.com

Address: A1208, Overseas Decoration Building, #122 Zhenhua RD., Futian, Shenzhen, China

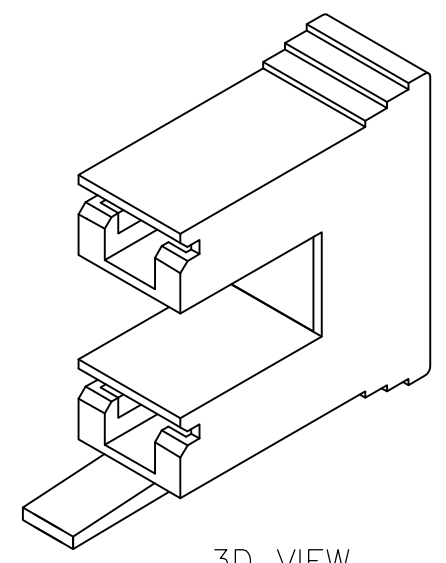
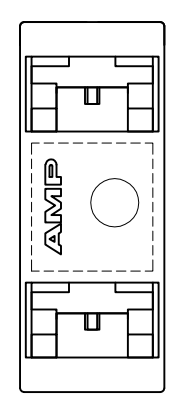
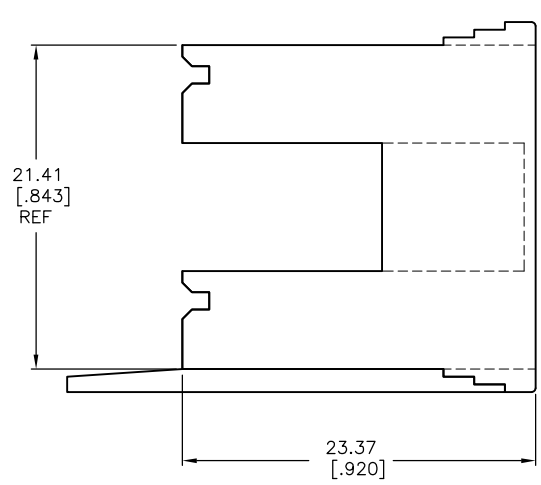
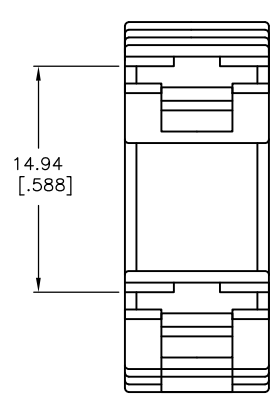


THIS DRAWING IS UNPUBLISHED. RELEASED FOR PUBLICATION  
 © COPYRIGHT BY TYCO ELECTRONICS CORPORATION. ALL RIGHTS RESERVED.

LOC	DIST	REVISIONS					
AF	50	P	LTR	DESCRIPTION	DATE	DWN	APVD
			D1	REVISED PER ECR-08-020696	01SEP08	HMR	PD



- 1 RECOMMENDED CENTERLINE SPACING OF MATING TAB IS 14.94±0.13 [.588±.005]
- 2 PRELIMINARY – NOT FOR PRODUCTION



6/66 NYLON	2 521069-2
6/6 NYLON	521069-1
MATERIAL	PART NO.

THIS DRAWING IS A CONTROLLED DOCUMENT.		DWN	JR RUTH	8/3/94	Tyco Electronics Corporation Harrisburg, PA 17105-3608			
DIMENSIONS: mm [INCHES]		CHK	MS FEHER	8/3/94	NAME			
TOLERANCES UNLESS OTHERWISE SPECIFIED: 0 PLC ± - 1 PLC ± - 2 PLC ± 0.25 [.010] 3 PLC ± - 4 PLC ± - ANGLES ± -		APVD	R BEAVER	8/3/94	HOUSING, RECEPTACLE, FASTON™ 6.35 [.250] SERIES			
MATERIAL SEE TABLE		PRODUCT SPEC	-		SIZE	CAGE CODE	DRAWING NO	RESTRICTED TO
FINISH NATURAL		APPLICATION SPEC	-		A3	00779	C-521069	-
CUSTOMER DRAWING					WEIGHT	-		SCALE 4:1
					SHEET	1 OF 1		REV D1