



Chipsmall Limited consists of a professional team with an average of over 10 year of expertise in the distribution of electronic components. Based in Hongkong, we have already established firm and mutual-benefit business relationships with customers from,Europe,America and south Asia,supplying obsolete and hard-to-find components to meet their specific needs.

With the principle of “Quality Parts,Customers Priority,Honest Operation,and Considerate Service”,our business mainly focus on the distribution of electronic components. Line cards we deal with include Microchip,ALPS,ROHM,Xilinx,Pulse,ON,Everlight and Freescale. Main products comprise IC,Modules,Potentiometer,IC Socket,Relay,Connector.Our parts cover such applications as commercial,industrial, and automotives areas.

We are looking forward to setting up business relationship with you and hope to provide you with the best service and solution. Let us make a better world for our industry!



Contact us

Tel: +86-755-8981 8866 Fax: +86-755-8427 6832

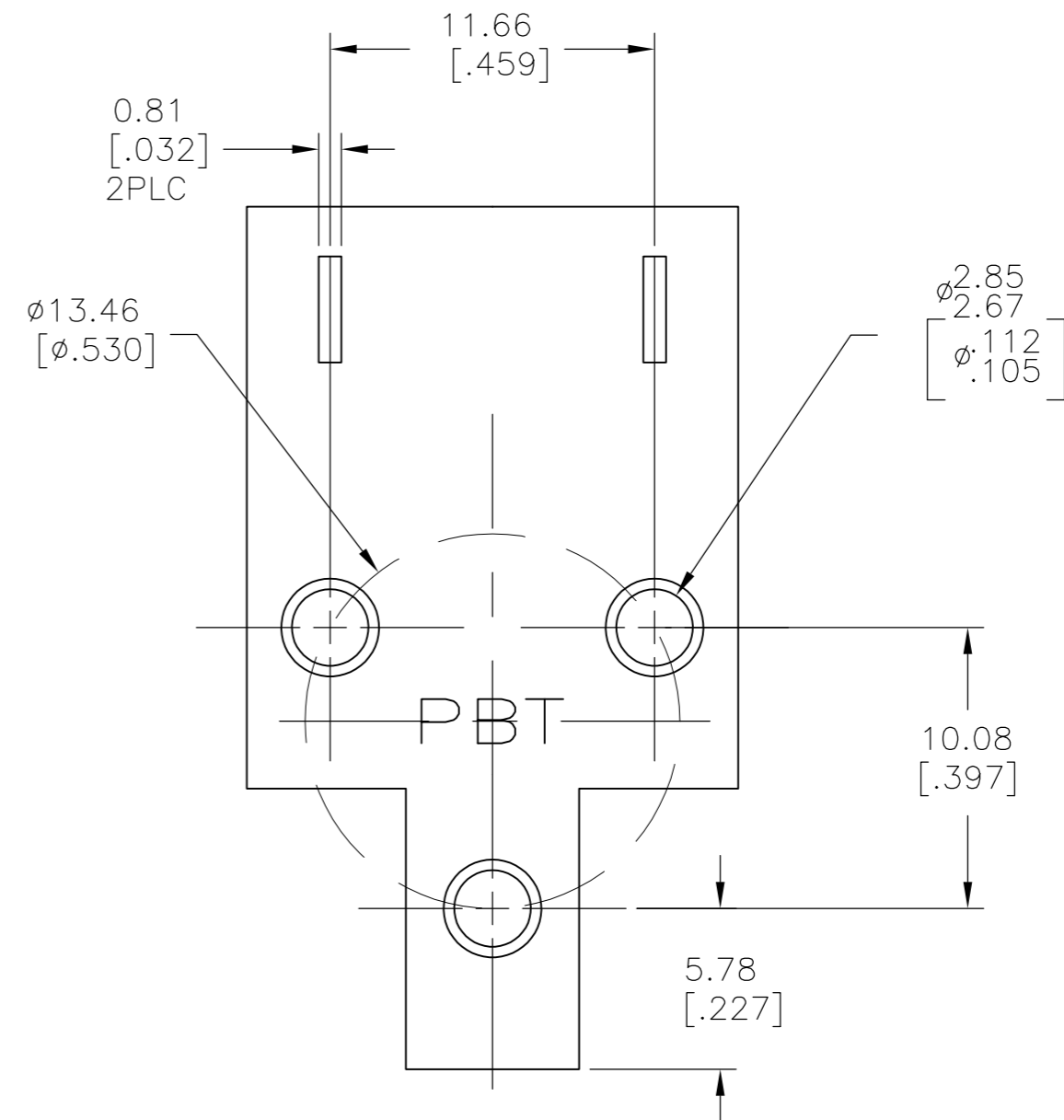
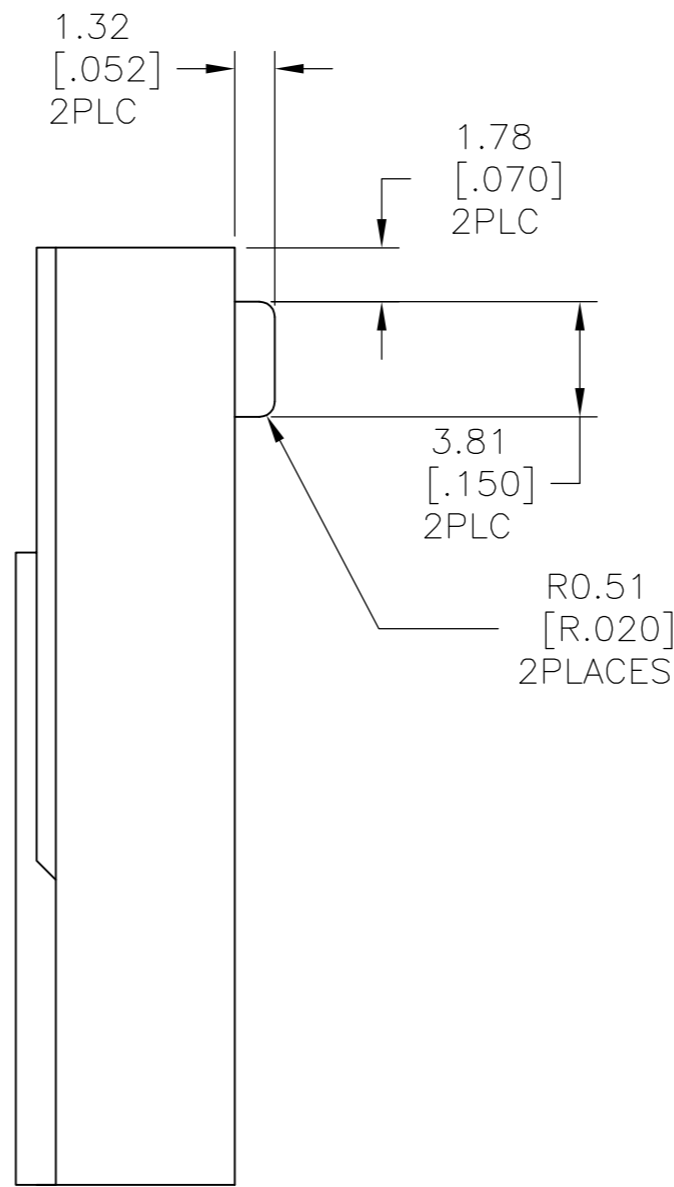
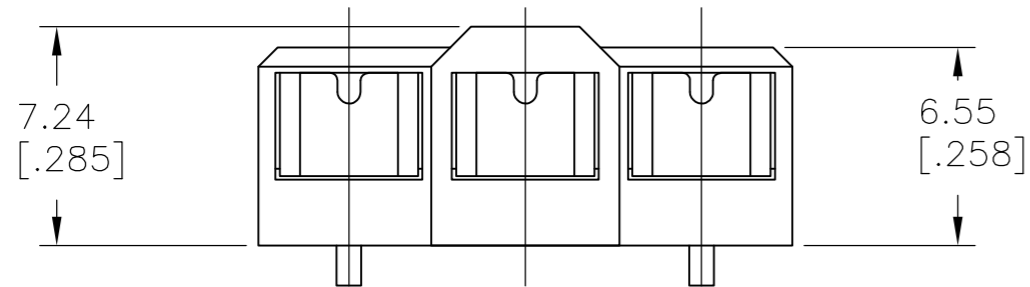
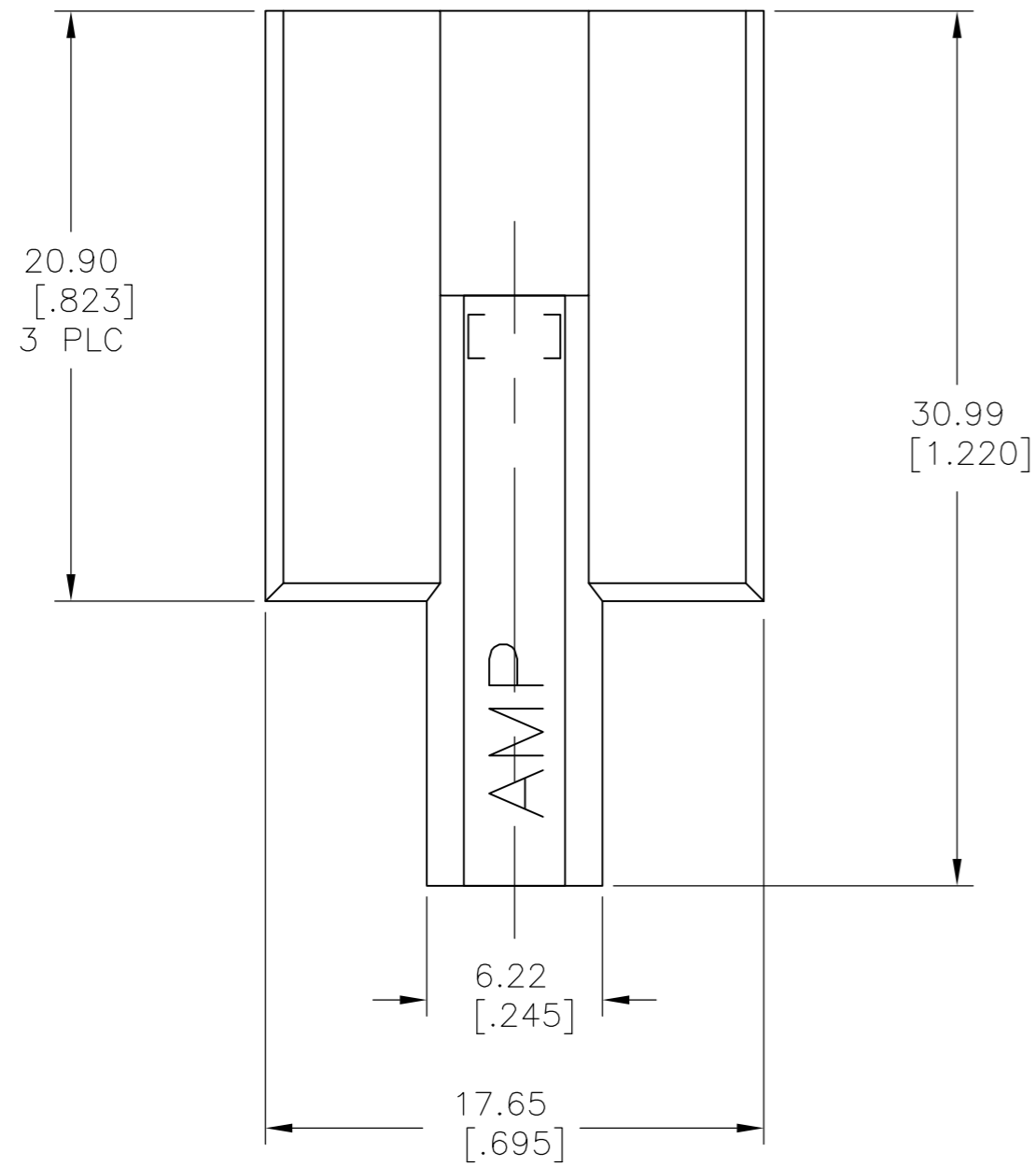
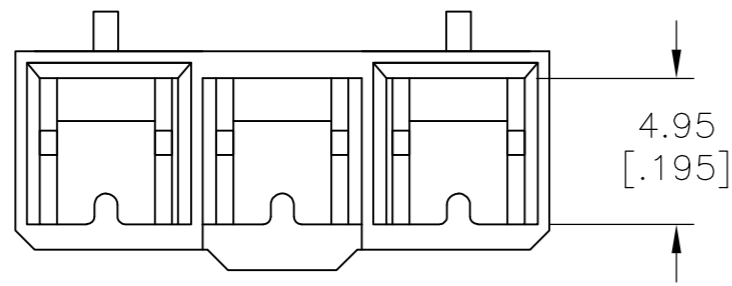
Email & Skype: info@chipsmall.com Web: www.chipsmall.com

Address: A1208, Overseas Decoration Building, #122 Zhenhua RD., Futian, Shenzhen, China



THIS DRAWING IS UNPUBLISHED. RELEASED FOR PUBLICATION
 © COPYRIGHT BY TYCO ELECTRONICS CORPORATION. ALL INTERNATIONAL RIGHTS RESERVED.

LOC		DIST		REVISIONS			
P	LTR	DESCRIPTION		DATE	DWN	APVD	
AF	50	E		REVISED PER ECR-09-006859	11AUG09	HMR	GJ



521078-1
PART NO

THIS DRAWING IS A CONTROLLED DOCUMENT.		DWN PHIL FORTNEY 6/2/93	Tyco Electronics Corporation Harrisburg, PA 17105-3608	
DIMENSIONS: mm [INCHES]		CHK JR RUTH 6/2/93	NAME	
TOLERANCES UNLESS OTHERWISE SPECIFIED:		APVD R WEAVILL 6/2/93	PRODUCT SPEC	
0 PLC ± -		108-2008		CLUSTER BLOCK, 2.29 [0.090] DIA
1 PLC ± -		APPLICATION SPEC		
2 PLC ± 0.25 [.010]		114-2019		RESTRICTED TO
3 PLC ± -		WEIGHT -		SIZE
4 PLC ± -		CUSTOMER DRAWING		CAGE CODE
FINISH		SCALE 4:1		DRAWING NO
NATURAL		SHEET 1 OF 1		REV E
MATERIAL PBT UNFILLED		FINISH NATURAL		00779 C=521078