



Chipsmall Limited consists of a professional team with an average of over 10 year of expertise in the distribution of electronic components. Based in Hongkong, we have already established firm and mutual-benefit business relationships with customers from,Europe,America and south Asia,supplying obsolete and hard-to-find components to meet their specific needs.

With the principle of “Quality Parts,Customers Priority,Honest Operation,and Considerate Service”,our business mainly focus on the distribution of electronic components. Line cards we deal with include Microchip,ALPS,ROHM,Xilinx,Pulse,ON,Everlight and Freescale. Main products comprise IC,Modules,Potentiometer,IC Socket,Relay,Connector.Our parts cover such applications as commercial,industrial, and automotives areas.

We are looking forward to setting up business relationship with you and hope to provide you with the best service and solution. Let us make a better world for our industry!



Contact us

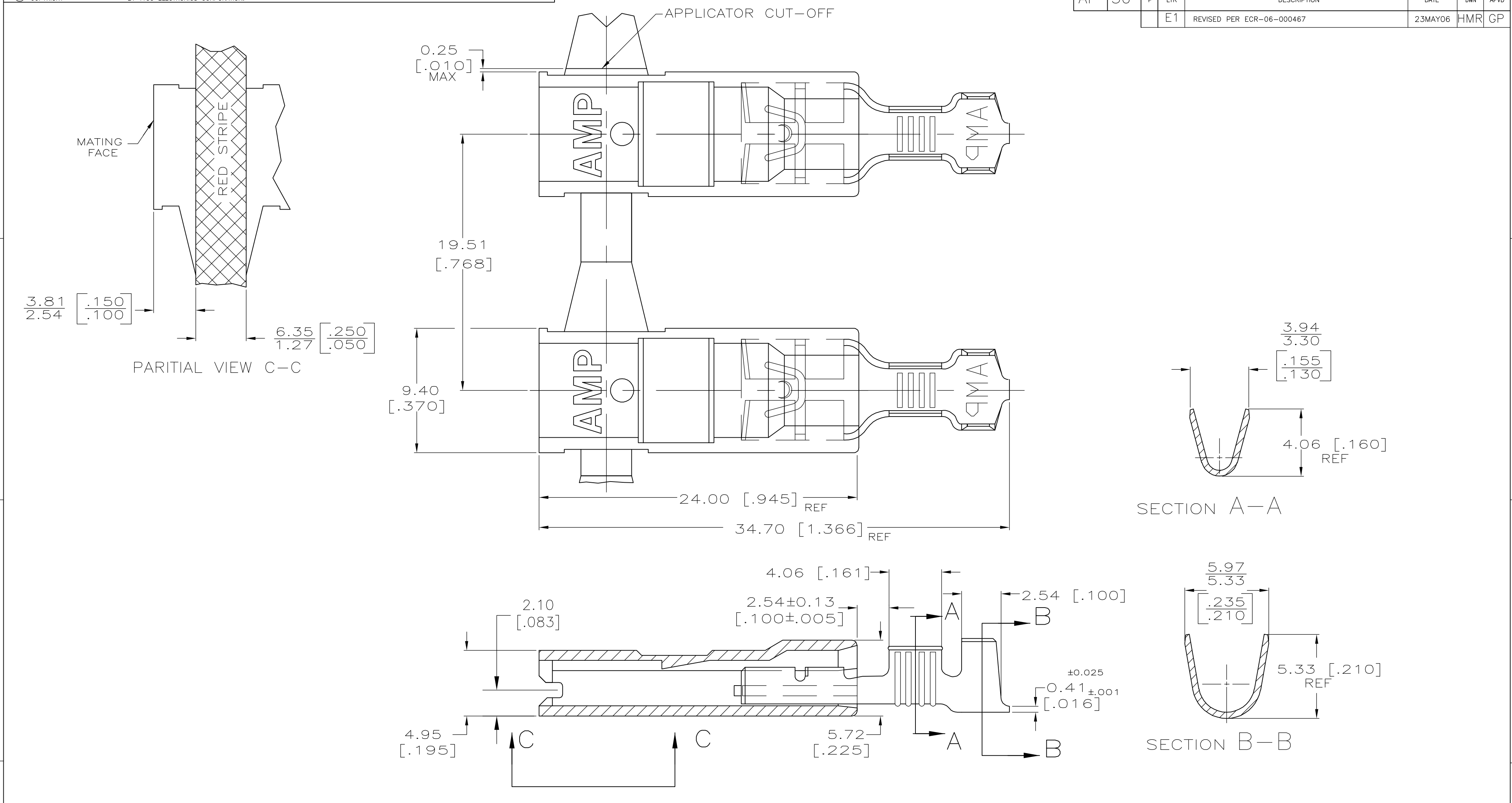
Tel: +86-755-8981 8866 Fax: +86-755-8427 6832

Email & Skype: info@chipsmall.com Web: www.chipsmall.com

Address: A1208, Overseas Decoration Building, #122 Zhenhua RD., Futian, Shenzhen, China



LOC	DIST	REVISIONS					
AF	50	P	LTR	DESCRIPTION	DATE	DWN	APVD
		E1		REVISED PER ECR-06-000467	23MAY06	HMR	GP



- 1 LOW-INSERTION FASTON TERMINALS, BASE P/N 63306, ARE USED IN THIS PRODUCT.
- 2 MATERIAL - HOUSING 6/6 NYLON, COLOR NATURAL
TERMINAL - 4M HARD BRASS, NO PLATING

OBSOLETE	BULK	2.79-4.32 [.110-.170]	0.8-2.0 mm ² [18-14]	0.813 [.032]	5-521081-1
	STANDARD				521081-1
	PACKAGING	INSULATION RANGE	WIRE SIZE	MATING TAB THK ±0.025 [±.001]	PART NO.

THIS DRAWING IS A CONTROLLED DOCUMENT.		DWN JR RUTH 4/10/95	tyco Tyco Electronics Corporation Harrisburg, PA 17105-3608	
DIMENSIONS: mm [INCHES]		CHK MS FEHER 4/10/95	ASSEMBLY, ULTRA-POD, RECEPTACLE, 6.35 [.250] SERIES WITH RED STRIPE	
TOLERANCES UNLESS OTHERWISE SPECIFIED:		APVD D BRATINA 4/10/95	108-1285	
0 PLC ± -	1 PLC ± -	APPLICATION SPEC 114-2124		
2 PLC ± -	3 PLC ± 0.25 [.010]	SIZE A2 CAGE CODE 00779 DRAWING NO G-521081		
4 PLC ± -	ANGLES ± -	RESTRICTED TO		
MATERIAL 2	FINISH 2	WEIGHT -		
CUSTOMER DRAWING		SCALE 5:1 SHEET 1 of 1 REV E1		