



Chipsmall Limited consists of a professional team with an average of over 10 year of expertise in the distribution of electronic components. Based in Hongkong, we have already established firm and mutual-benefit business relationships with customers from,Europe,America and south Asia,supplying obsolete and hard-to-find components to meet their specific needs.

With the principle of “Quality Parts,Customers Priority,Honest Operation,and Considerate Service”,our business mainly focus on the distribution of electronic components. Line cards we deal with include Microchip,ALPS,ROHM,Xilinx,Pulse,ON,Everlight and Freescale. Main products comprise IC,Modules,Potentiometer,IC Socket,Relay,Connector.Our parts cover such applications as commercial,industrial, and automotives areas.

We are looking forward to setting up business relationship with you and hope to provide you with the best service and solution. Let us make a better world for our industry!



Contact us

Tel: +86-755-8981 8866 Fax: +86-755-8427 6832

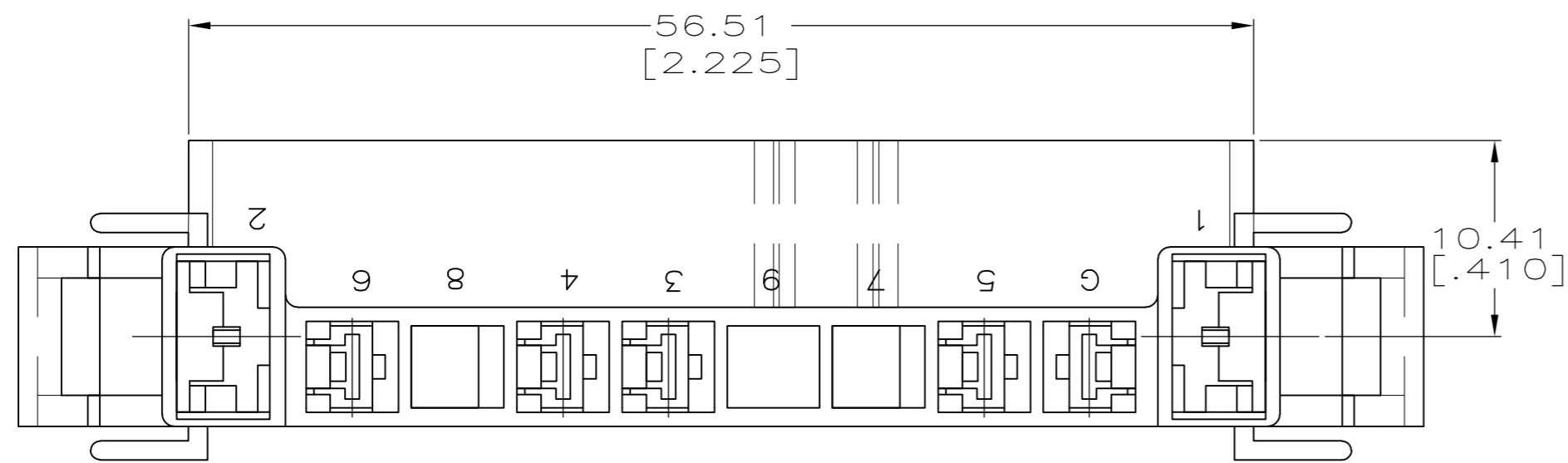
Email & Skype: info@chipsmall.com Web: www.chipsmall.com

Address: A1208, Overseas Decoration Building, #122 Zhenhua RD., Futian, Shenzhen, China

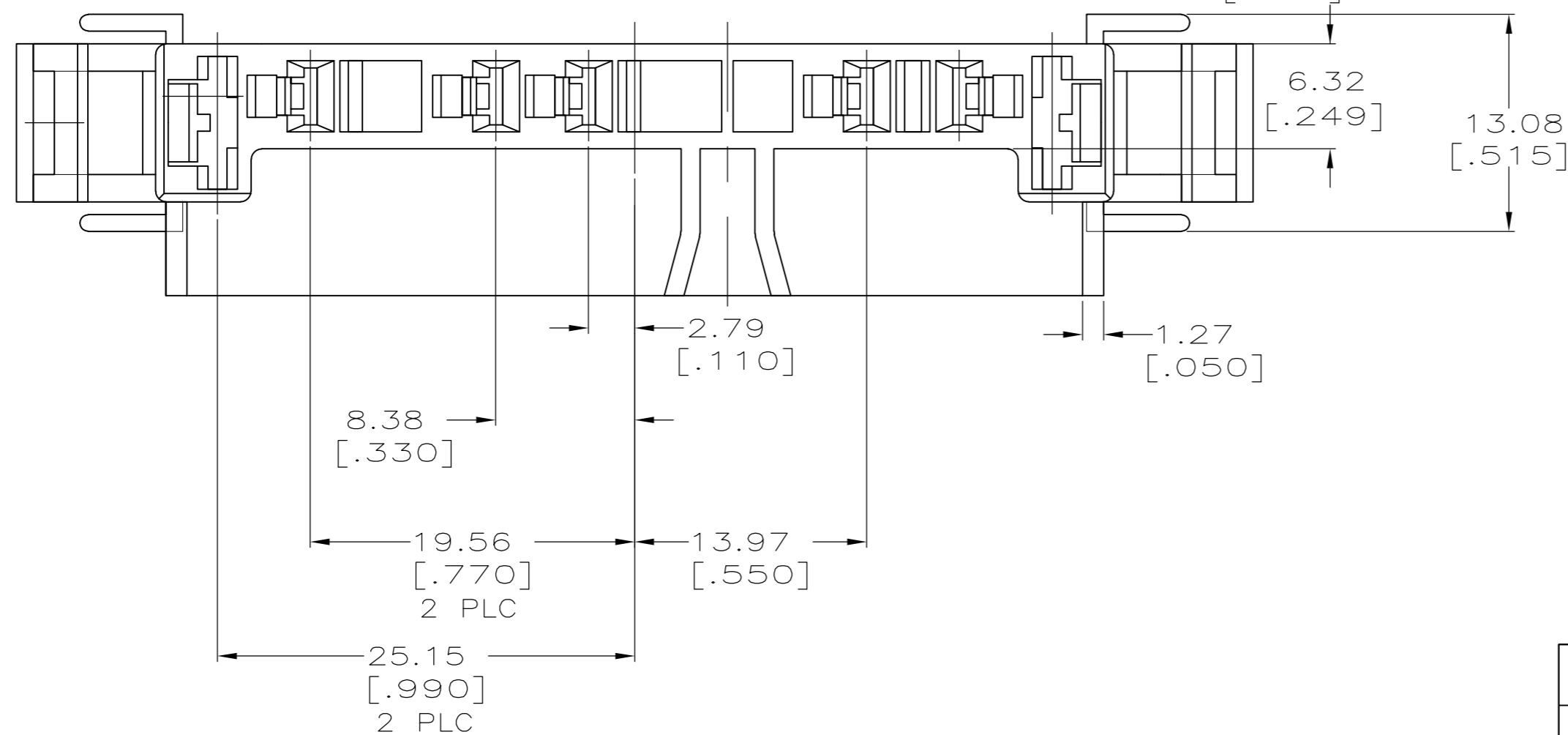
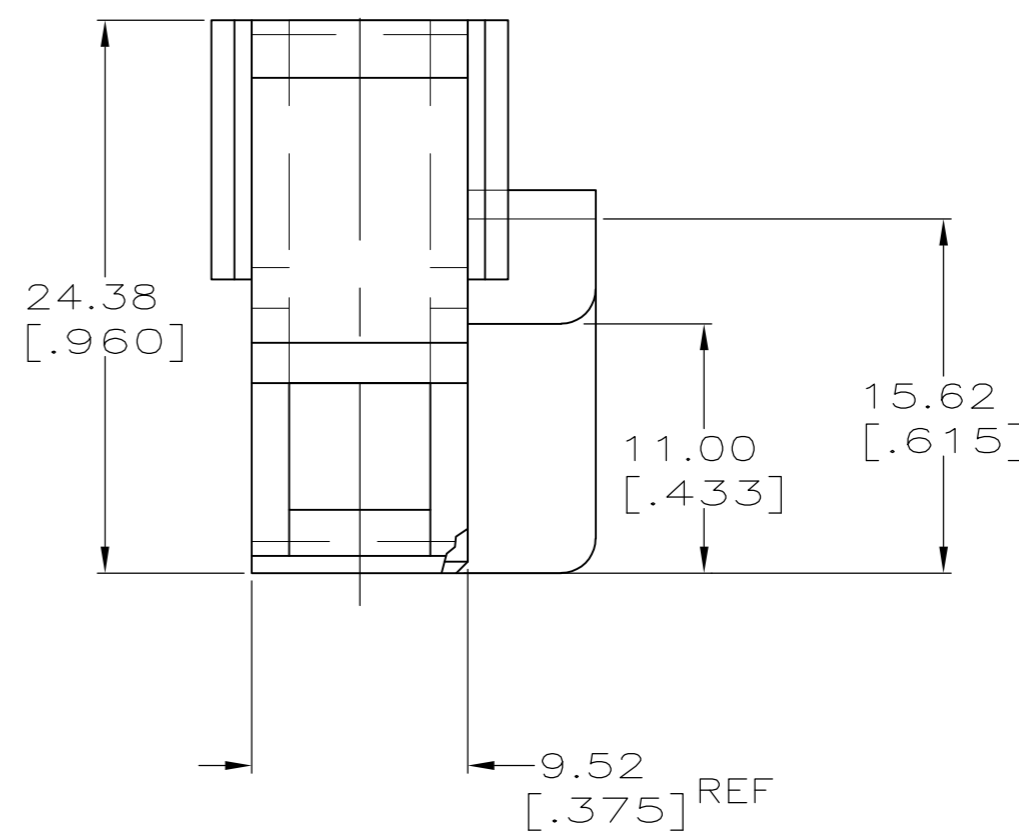
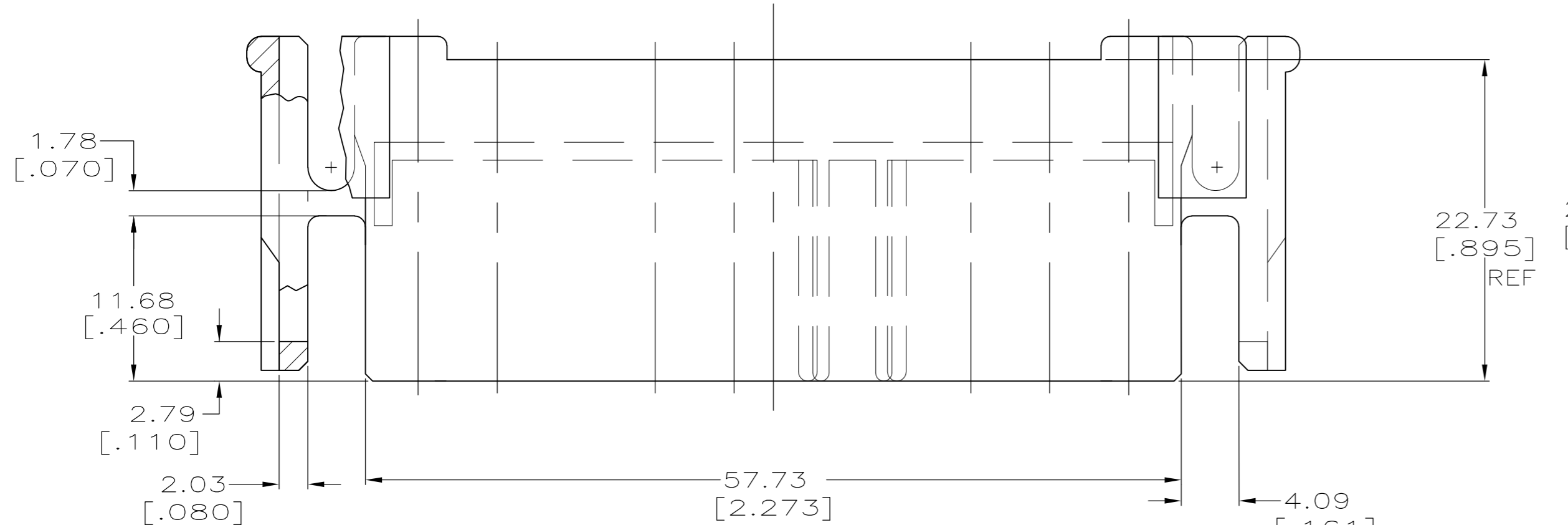


THIS DRAWING IS UNPUBLISHED. RELEASED FOR PUBLICATION
 © COPYRIGHT - By - ALL RIGHTS RESERVED.

LOC	DIST	REVISIONS					
AF	50	P	LTR	DESCRIPTION	DATE	DWN	APVD
		G		REV PER ECO 13-003247	15APR13	JR	GJ



- 1 POSITIONS 3 THRU 6 AND G ACCEPT 3.18 [.125] RECEPTACLE P/N 770642-1.
- 2 POSITIONS 1 AND 2 ACCEPT 6.35 [.250] SERIES L.I.F. FASTON RECEPTACLES P/N 63306-(), 63537-(), OR 63365-(). ALSO ACCEPTS FASTON P/N 280001-9.



521085-1
 PART NUMBER

THIS DRAWING IS A CONTROLLED DOCUMENT.		DWN M.S. FEHER 08DEC2005	TE TE Connectivity	
DIMENSIONS: MM [INCHES]		CHK D.F. DECKER 08DEC2005		
TOLERANCES UNLESS OTHERWISE SPECIFIED:		APVD D.F. DECKER 08DEC2005	NAME MOTOR HOUSING, DRYER, GEN II, 7 CIRCUIT	
0 PLC ± -		PRODUCT SPEC	SIZE A2	
1 PLC ± -		APPLICATION SPEC	CAGE CODE 00779	
2 PLC ± 0.25 [.010]			DRAWING NO 521085	
3 PLC ± -			RESTRICTED TO	
4 PLC ± -			SCALE 3:1	
ANGLES ± -		WEIGHT -	SHEET 1 of 1	
MATERIAL NYLON, TYPE 6/6		FINISH COLOR-NATURAL	REV G	
		CUSTOMER DRAWING		