



Chipsmall Limited consists of a professional team with an average of over 10 year of expertise in the distribution of electronic components. Based in Hongkong, we have already established firm and mutual-benefit business relationships with customers from,Europe,America and south Asia,supplying obsolete and hard-to-find components to meet their specific needs.

With the principle of “Quality Parts,Customers Priority,Honest Operation,and Considerate Service”,our business mainly focus on the distribution of electronic components. Line cards we deal with include Microchip,ALPS,ROHM,Xilinx,Pulse,ON,Everlight and Freescale. Main products comprise IC,Modules,Potentiometer,IC Socket,Relay,Connector.Our parts cover such applications as commercial,industrial, and automotives areas.

We are looking forward to setting up business relationship with you and hope to provide you with the best service and solution. Let us make a better world for our industry!



Contact us

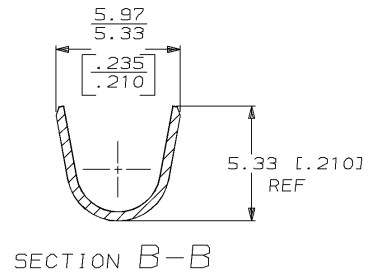
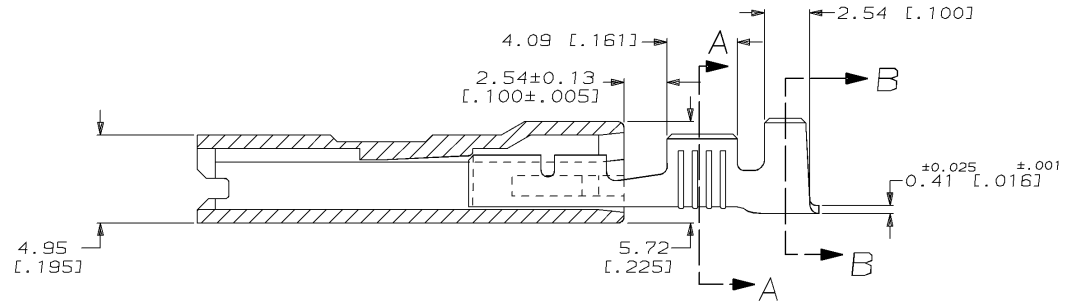
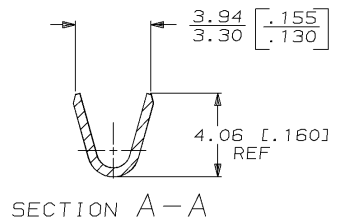
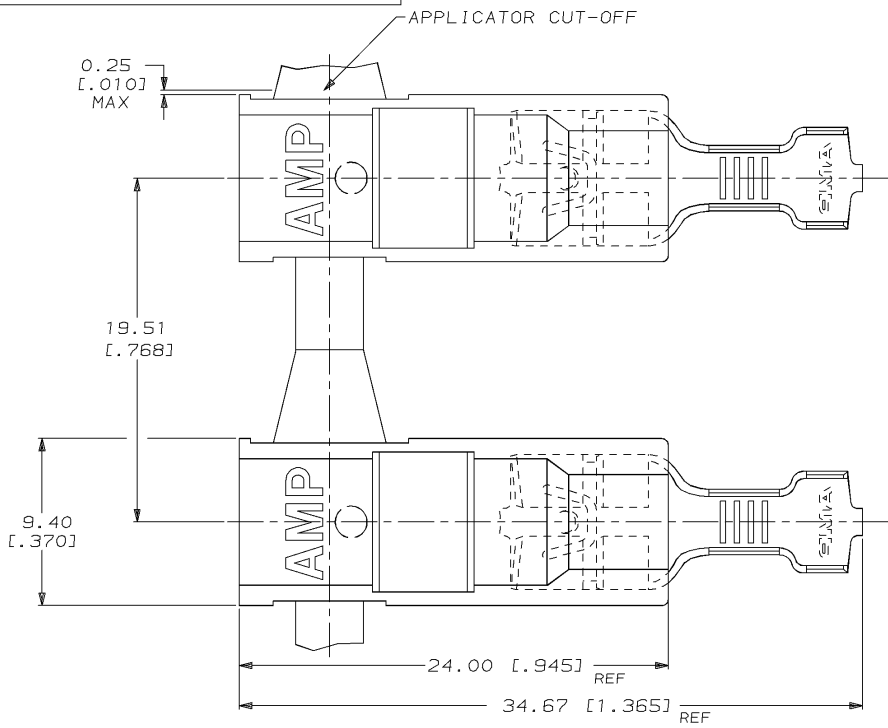
Tel: +86-755-8981 8866 Fax: +86-755-8427 6832

Email & Skype: info@chipsmall.com Web: www.chipsmall.com

Address: A1208, Overseas Decoration Building, #122 Zhenhua RD., Futian, Shenzhen, China



LOC	DIST	P	F	ZONE	LTR	REVISIONS	DATE	APPD
AF	50				B	REV PER 0L10-0053-97	2/11/97	JR/JW



- 1 LOW-INSERTION FASTON TERMINALS, BASE P/N 63674-2 IS USED.
- 2 NICKEL PLATE 0.00381 [.000150] MIN

2.79-4.32 [.110-.170]	0.8-2.0 mm ² [18-14]	0.813 [.032]	521113-1
INSULATION RANGE	WIRE SIZE	MATING TAB THK ±0.025 [±.001]	PART NO
DO NOT SCALE PRINT. UNLESS SPECIFIED DIMENSIONS IN mm [INCHES] TOLERANCES ON : 2 PLC DEC ± - 3 PLC DEC ± 0.25 [.010] ANGLES ± -	DR 3/13/96 JR RUTH CHK 3/13/96 MS FEHER APPD 3/13/96 D BRATINA	AMP AMP INCORPORATED Harrisburg, Pa. 17105 NAME ASSEMBLY, ULTRA-POD, RECEPTACLE, 6.35 [.250] SERIES	
MATERIAL HOUSING 4/6 NYLON (150°C) TERMINAL - #2H STEEL	APPD 3/13/96 V KARABCIEVSKY PRODUCT SPEC 108-1285		
FINISH HOUSING - BLACK TERMINAL - NICKEL	APPLICATION SPEC 114-2124 WEIGHT -	SIZE C CAGE CODE 00779 SCALE 5:1	DRAWING NO 521113 SHEET 1 OF 1

CUSTOMER DRAWING