



Chipsmall Limited consists of a professional team with an average of over 10 year of expertise in the distribution of electronic components. Based in Hongkong, we have already established firm and mutual-benefit business relationships with customers from,Europe,America and south Asia,supplying obsolete and hard-to-find components to meet their specific needs.

With the principle of “Quality Parts,Customers Priority,Honest Operation,and Considerate Service”,our business mainly focus on the distribution of electronic components. Line cards we deal with include Microchip,ALPS,ROHM,Xilinx,Pulse,ON,Everlight and Freescale. Main products comprise IC,Modules,Potentiometer,IC Socket,Relay,Connector.Our parts cover such applications as commercial,industrial, and automotives areas.

We are looking forward to setting up business relationship with you and hope to provide you with the best service and solution. Let us make a better world for our industry!



Contact us

Tel: +86-755-8981 8866 Fax: +86-755-8427 6832

Email & Skype: info@chipsmall.com Web: www.chipsmall.com

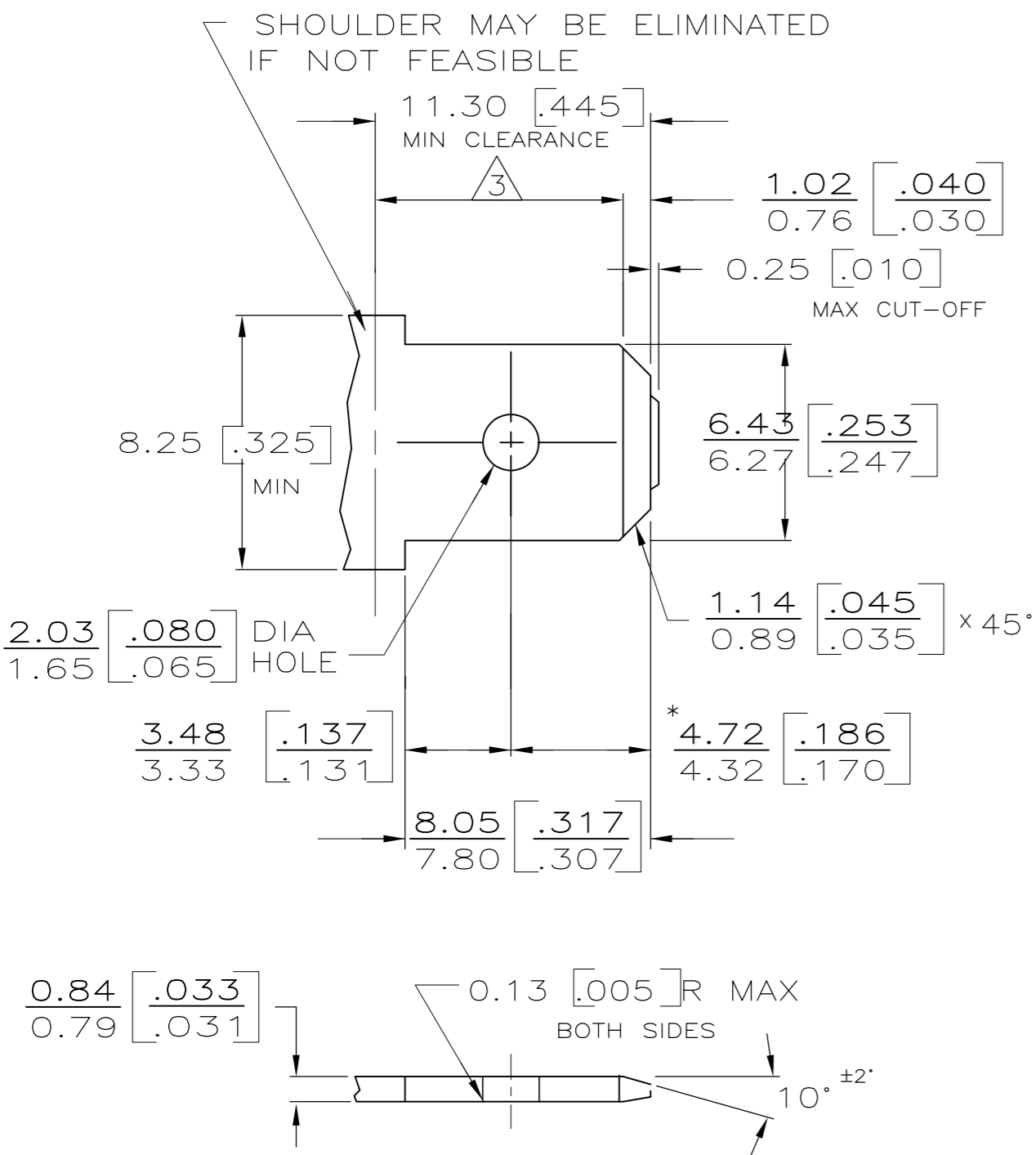
Address: A1208, Overseas Decoration Building, #122 Zhenhua RD., Futian, Shenzhen, China



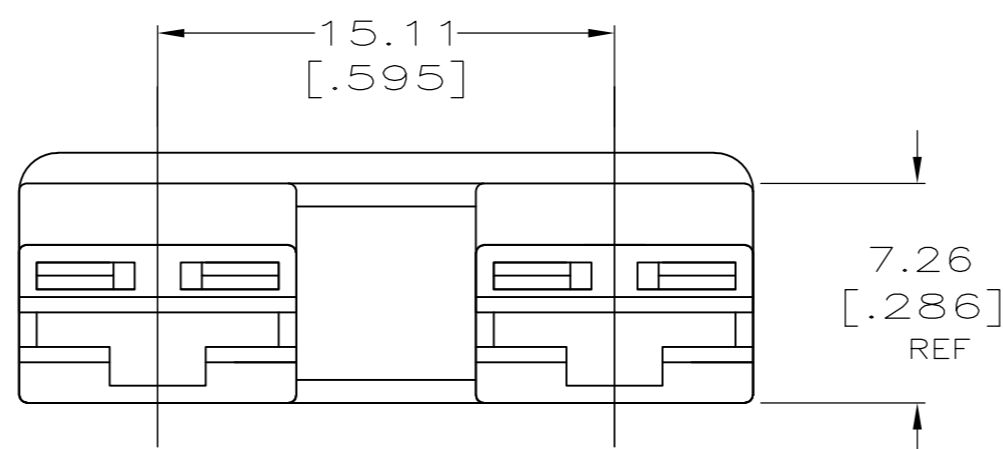
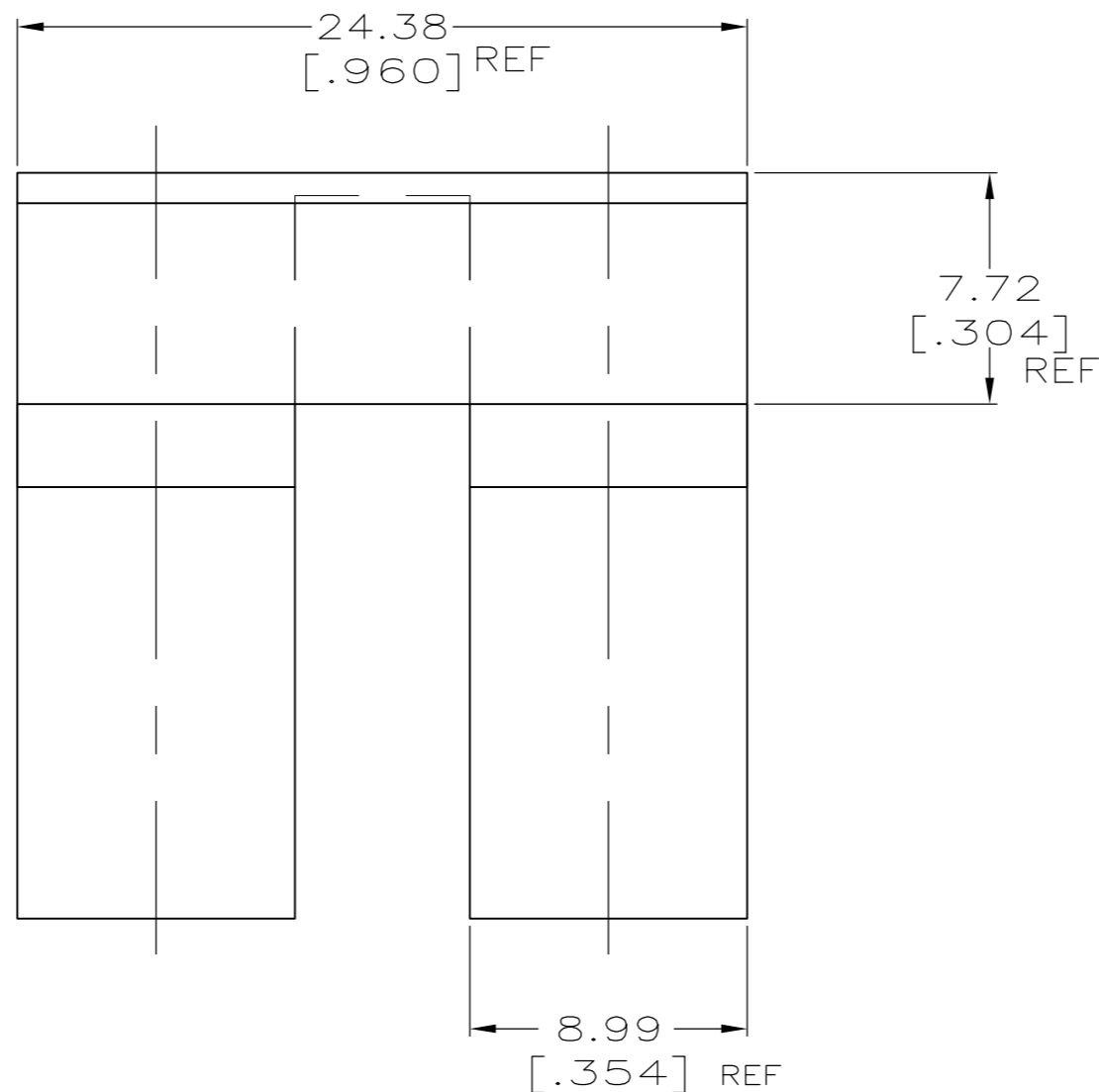
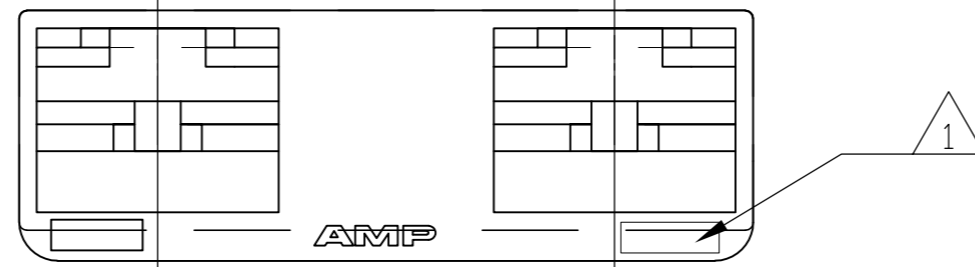
THIS DRAWING IS UNPUBLISHED. RELEASED FOR PUBLICATION
 © COPYRIGHT - By - ALL RIGHTS RESERVED.

LOC		DIST		REVISIONS			
P	LTR	DESCRIPTION	DATE	DWN	APVD		
AF	50	E4	REV PER ECO-13-000169	07JAN13	JR	PD	

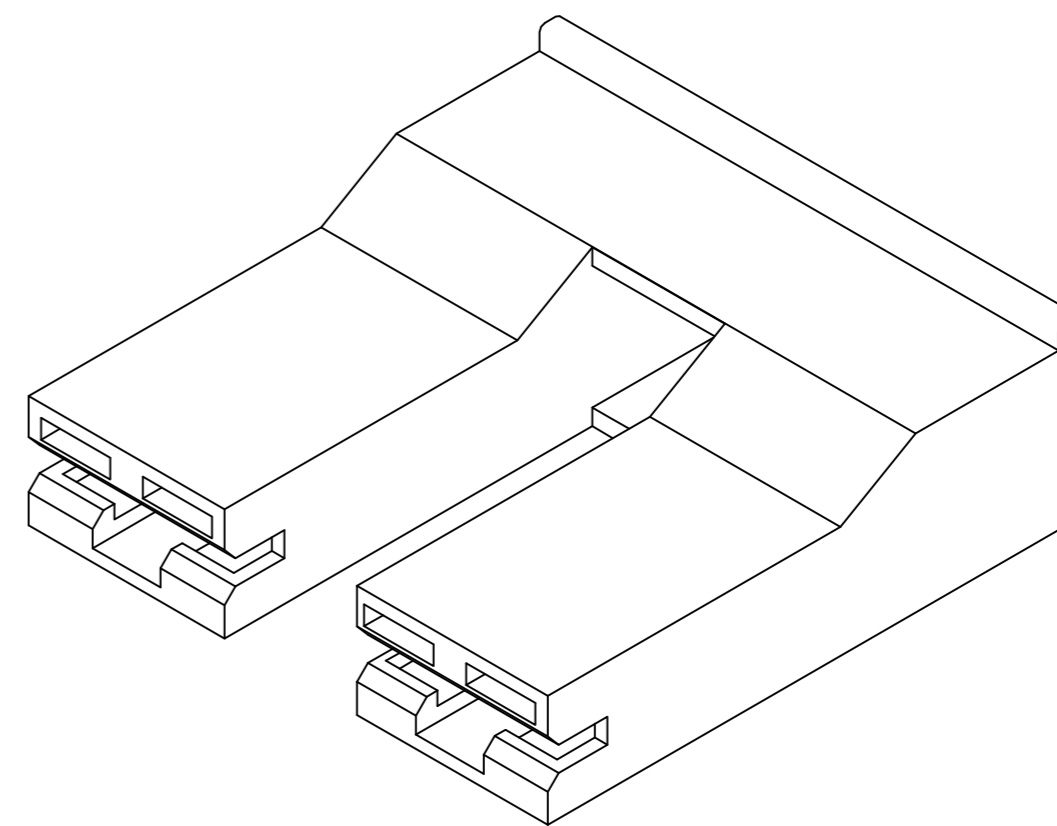
SUGGESTED MATING TAB



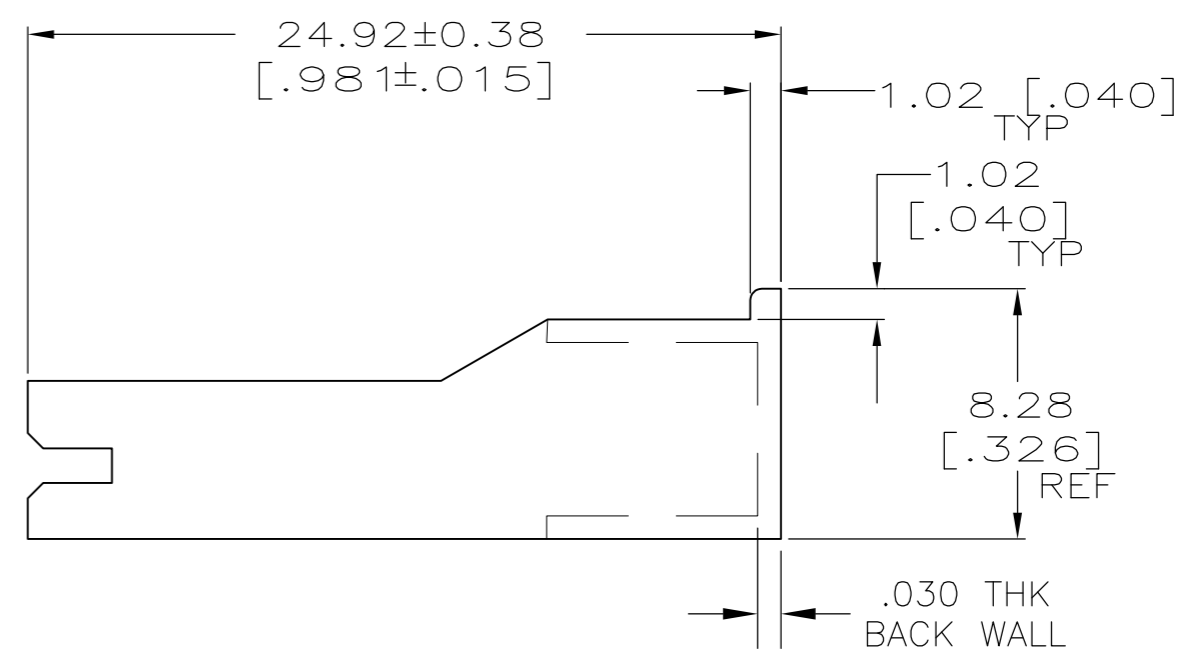
- 1 - MATL: 1/2H BRASS OR NICKEL PL STEEL.
- 2 - NO BURRS PERMISSIBLE AT HOLE.
- 3 - MUST BE FLAT WITHIN 0.076 [.003] OVER THIS LENGTH.
- 4 - TIN PLATING IS REQUIRED ON BRASS WHEN TERMINAL TEMP. IS OVER 225°F.
- 5 - HOLE MUST BE SYMMETRICAL ABOUT TAB C WITHIN 0.076 [.003]
- * TO BE USED ONLY WHEN SHOULDER IS ELIMINATED.



- 1 DFE SYMBOL PER TABLE
- 2 PREPRODUCTION - FASR REQUIRED
- 6 OBSOLETE PARTS: OBSOLETE CIS STREAMLINING PER D.RENAUD/D.SINISI



3D VIEW



DFE SYMBOL	COLOR	MATERIAL	PART NO
>PA<	NATURAL	NYLON 6	2 521119-5
>PA<	BLUE		521119-4
>PA<	PUTTY	6/6 NYLON	6 521119-2
>PA<	NATURAL		521119-1

THIS DRAWING IS A CONTROLLED DOCUMENT.		DWN	JR RUTH	7/3/96	 TE Connectivity			
DIMENSIONS: MM [INCHES]		CHK	M FEHER	7/3/96				
TOLERANCES UNLESS OTHERWISE SPECIFIED:		APVD	J GILLESPIE	7/3/96				
0 PLC ± - 1 PLC ± - 2 PLC ± - 3 PLC ± 0.25 [.010] 4 PLC ± - ANGLES ± -		PRODUCT SPEC	NAME					
MATERIAL	SEE TABLE	FINISH	SEE TABLE	WEIGHT	SIZE	CAGE CODE	DRAWING NO	RESTRICTED TO
					A2	00779	C=521119	
CUSTOMER DRAWING				SCALE	4:1	SHEET	1 of 1	REV
								E4