



Chipsmall Limited consists of a professional team with an average of over 10 year of expertise in the distribution of electronic components. Based in Hongkong, we have already established firm and mutual-benefit business relationships with customers from,Europe,America and south Asia,supplying obsolete and hard-to-find components to meet their specific needs.

With the principle of "Quality Parts,Customers Priority,Honest Operation,and Considerate Service",our business mainly focus on the distribution of electronic components. Line cards we deal with include Microchip,ALPS,ROHM,Xilinx,Pulse,ON,Everlight and Freescale. Main products comprise IC,Modules,Potentiometer,IC Socket,Relay,Connector.Our parts cover such applications as commercial,industrial, and automotives areas.

We are looking forward to setting up business relationship with you and hope to provide you with the best service and solution. Let us make a better world for our industry!



Contact us

Tel: +86-755-8981 8866 Fax: +86-755-8427 6832

Email & Skype: info@chipsmall.com Web: www.chipsmall.com

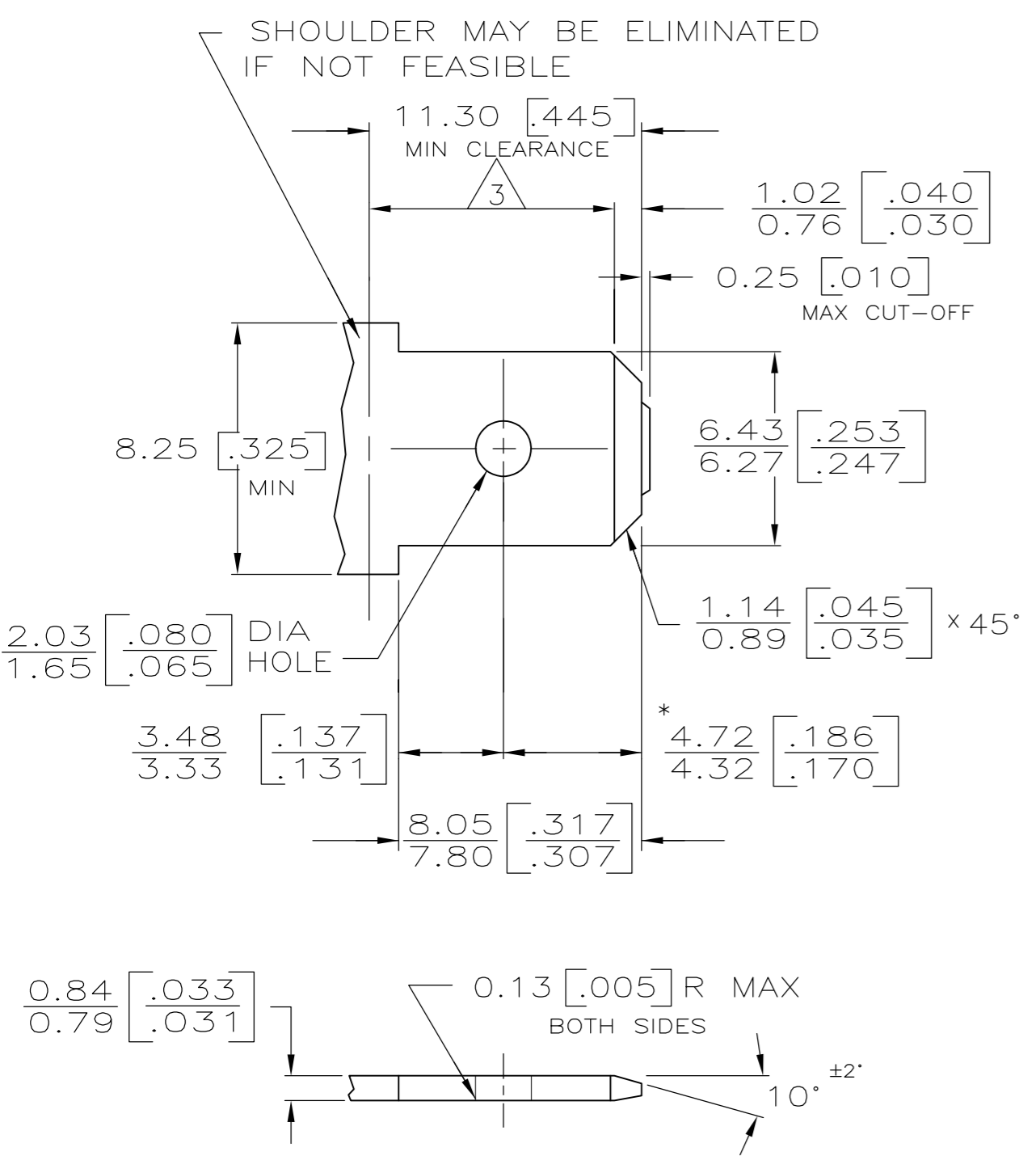
Address: A1208, Overseas Decoration Building, #122 Zhenhua RD., Futian, Shenzhen, China



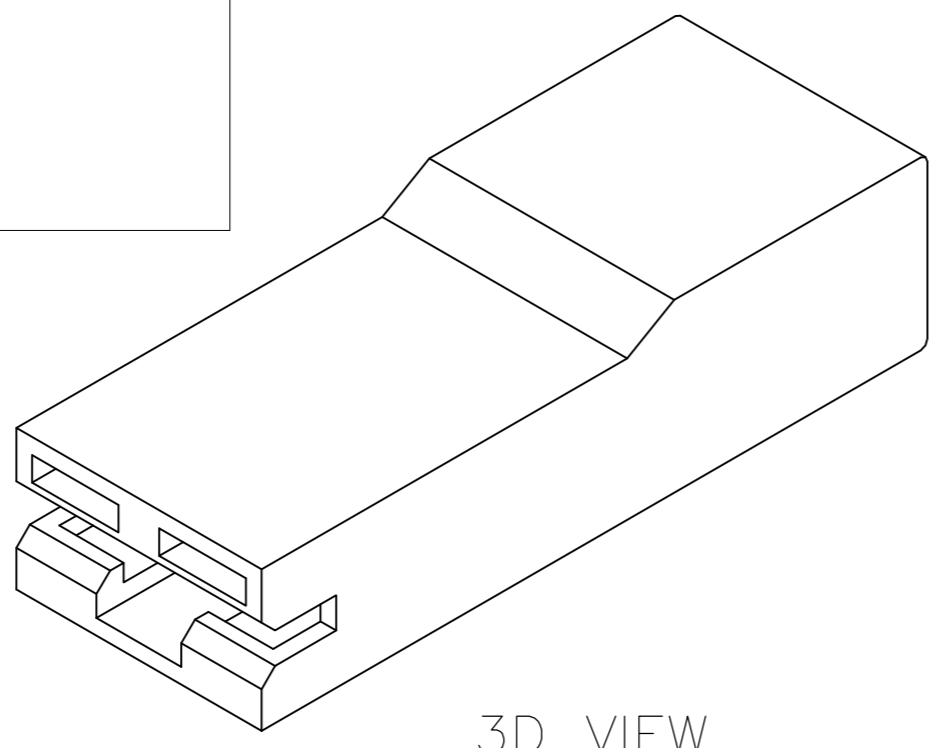
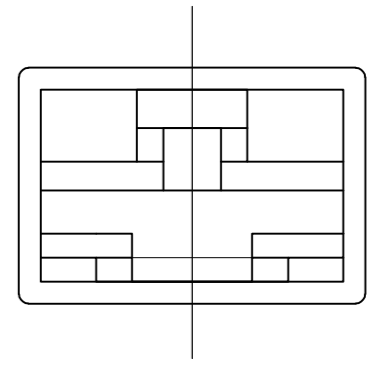
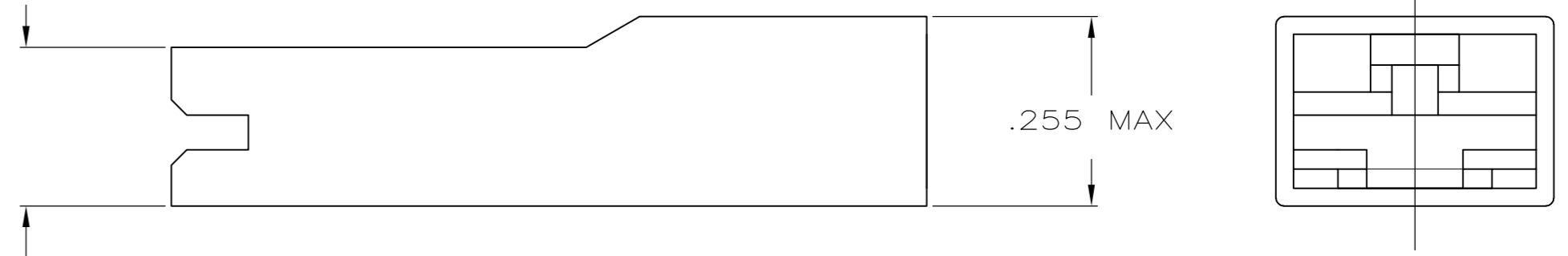
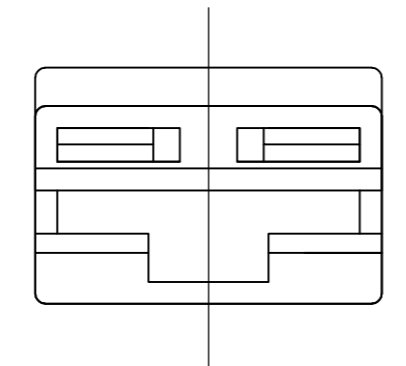
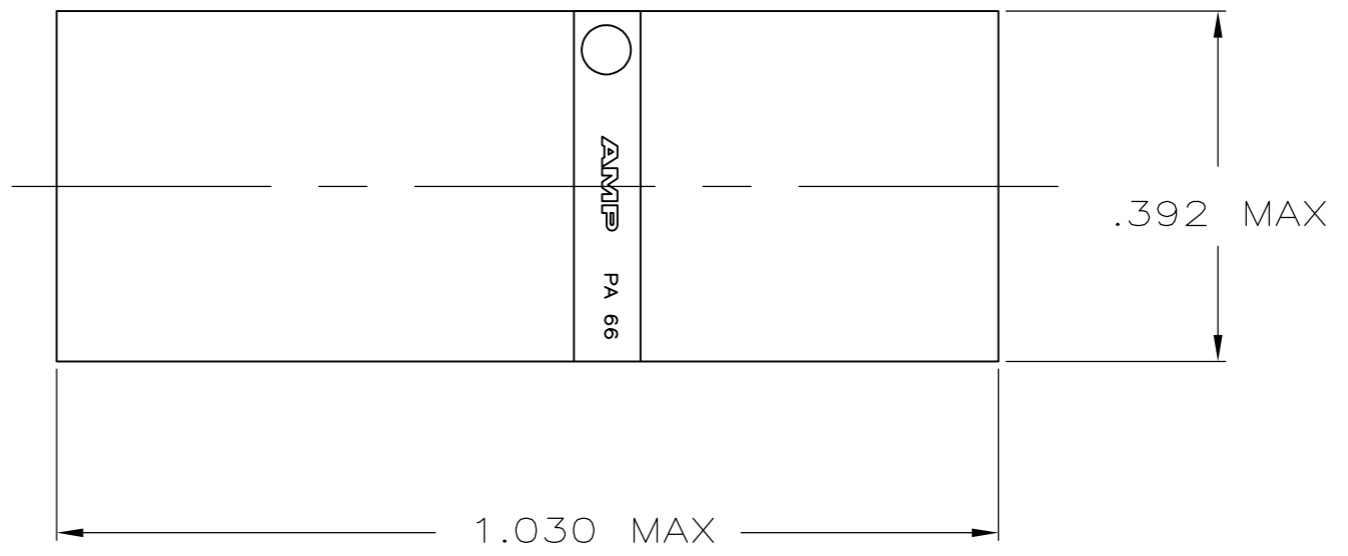
THIS DRAWING IS UNPUBLISHED. RELEASED FOR PUBLICATION
 © COPYRIGHT - By - ALL RIGHTS RESERVED.

LOC		DIST		REVISIONS			
P	LTR	DESCRIPTION	DATE	DWN	APVD		
AF	50	M6	REVISED PER ECR-12-017049	04OCT12	KH	KR	

SUGGESTED MATING TAB



- 1 ALL DIMENSIONS APPLY TO A MOISTURIZED HOUSING.
- 2 PRELIMINARY - NOT FOR PRODUCTION
- 3 OFFERED FOR CONSIDERATION IN "NON-DRIP" HOUSING MATERIAL APPLICATIONS.
- 4 OBSOLETE PARTS: OBSOLETE CIS STREAMLINING I PER D.RENAUD/D.SINIS



- 1 - MATL: 1/2H BRASS OR NICKEL PL STEEL.
- 2 - NO BURRS PERMISSIBLE AT HOLE.
- 3 - MUST BE FLAT WITHIN 0.076 [0.003] OVER THIS LENGTH.
- 4 - TIN PLATING IS REQUIRED ON BRASS WHEN TERMINAL TEMP. IS OVER 225° F
- 5 - HOLE MUST BE SYMMETRICAL ABOUT TAB Q WITHIN 0.076 [0.003]
- * TO BE USED ONLY WHEN SHOULDER IS ELIMINATED.

COLOR	MATERIAL	PART NO
NATURAL	NYLON 6, V2	1-521120-7
BLACK	66/6 OR 66 NYLON, V0	1-521120-6
NATURAL	66/6 OR 66 NYLON, V0	1-521120-5
NATURAL	6/6 NYLON, V0	1-521120-4
NATURAL	66/6 OR 66 NYLON, V0	1-521120-3
YELLOW	6/6 NYLON	1-521120-2
BLUE	6/6 NYLON	1-521120-1
GREEN	6/6 NYLON	1-521120-0
RED	6/6 NYLON	-521120-9
BLACK	6/6 NYLON	521120-8
NATURAL	6/6 NYLON	521120-7
BLACK	4/6 NYLON	521120-6
RED	6/6 NYLON	521120-5
BLUE	6/6 NYLON	521120-4
PUTTY	6/6 NYLON	-521120-2
NATURAL	6/6 NYLON	521120-1

THIS DRAWING IS A CONTROLLED DOCUMENT.

DIMENSIONS: INCHES	TOLERANCES UNLESS OTHERWISE SPECIFIED:	DWN: JR RUTH 7/3/96	
	0 PLC ± -	CHK: MS FEHER 7/3/96	
	1 PLC ± -	APVD: J GILLISPIE 7/3/96	
	2 PLC ± 0.25 [0.010]	PRODUCT SPEC	
MATERIAL: SEE TABLE	FINISH: SEE TABLE	APPLICATION SPEC	RESTRICTED TO

NAME: HOUSING, RECEPTACLE, POSITIVE-LOCK, MKIII, 6.35 [0.250] SERIES

SIZE: A2 CAGE CODE: 00779 DRAWING NO: 521120

CUSTOMER DRAWING SCALE: 5:1 SHEET: 1 of 1 REV: M6