



Chipsmall Limited consists of a professional team with an average of over 10 year of expertise in the distribution of electronic components. Based in Hongkong, we have already established firm and mutual-benefit business relationships with customers from,Europe,America and south Asia,supplying obsolete and hard-to-find components to meet their specific needs.

With the principle of “Quality Parts,Customers Priority,Honest Operation,and Considerate Service”,our business mainly focus on the distribution of electronic components. Line cards we deal with include Microchip,ALPS,ROHM,Xilinx,Pulse,ON,Everlight and Freescale. Main products comprise IC,Modules,Potentiometer,IC Socket,Relay,Connector.Our parts cover such applications as commercial,industrial, and automotives areas.

We are looking forward to setting up business relationship with you and hope to provide you with the best service and solution. Let us make a better world for our industry!



## Contact us

Tel: +86-755-8981 8866 Fax: +86-755-8427 6832

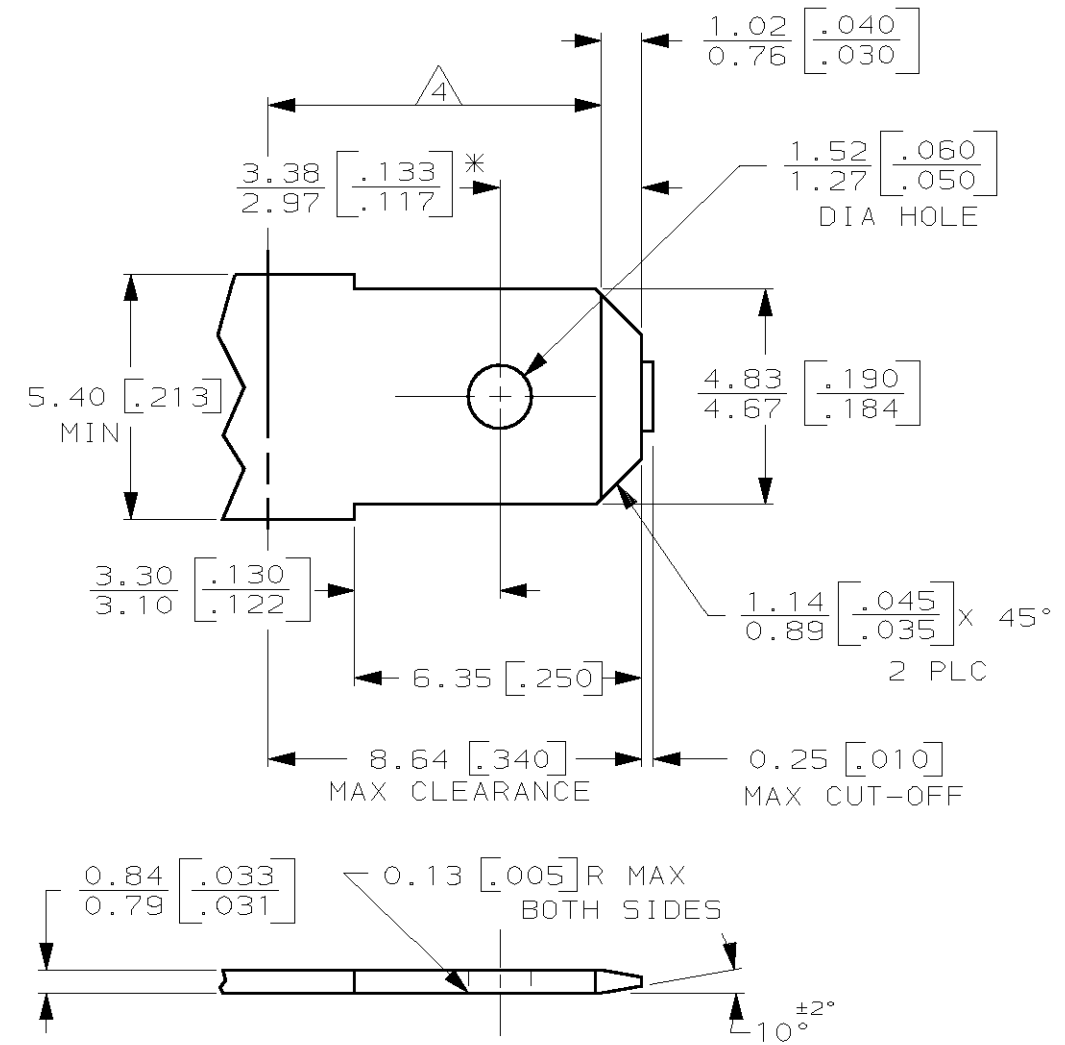
Email & Skype: info@chipsmall.com Web: www.chipsmall.com

Address: A1208, Overseas Decoration Building, #122 Zhenhua RD., Futian, Shenzhen, China



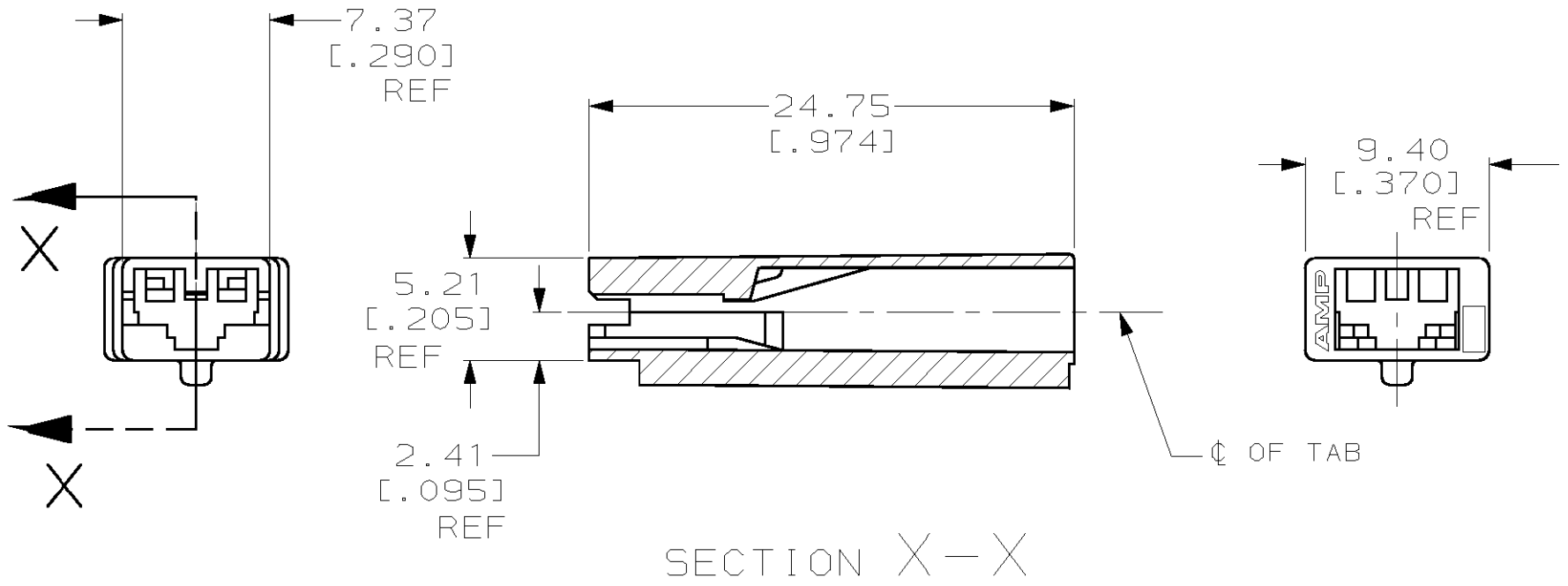
LOC	DIST	REVISIONS			
P	LTR	DESCRIPTION	DATE	DWN	APVD
AF	50	D	ADDED -2 PER 0G3A-0018-01	19JAN01	JR ND

SUGGESTED MATING TAB



- 1 MATL: #2 HARD BRASS OR NICKEL PLATED STEEL.
- 2 NO BURRS PERMISSIBLE AT HOLE.
- 3 TIN PLATING IS REQUIRED ON BRASS WHEN TERMINAL TEMPERATURE IS OVER 225°F.
- 4 MUST BE FLAT WITHIN 0.076 [.003] OVER THIS LENGTH.
- 5 HOLE MUST BE SYMMETRICAL ABOUT TAB  $\phi$  WITHIN 0.076 [.003].
- \* TO BE USED ONLY WHEN SHOULDER IS ELIMINATED.

1 ACCEPTS CONTACTS FOR 0.81 [.032] THICK TABS ONLY. EXAMPLE, 63498, 173690.  
 2 PRELIMINARY - NOT FOR PRODUCTION



STANYL TW341	521125-2
6/6 NYLON	521125-1
MATERIAL	PART NO.

THIS DRAWING IS A CONTROLLED DOCUMENT.		DWN	JR RUTH	11/15/96	<b>AMP</b> AMP Incorporated Harrisburg, PA 17105-3608
DIMENSIONS: MM [INCHES]		CHK	MS FEHER	11/15/96	
TOLERANCES UNLESS OTHERWISE SPECIFIED:		APVD	J GILLESPIE	11/15/96	NAME
0 PLC	±-	PRODUCT SPEC		HOUSING, POSITIVE-LOCK, 4.75 [.187] SERIES, MK II	
1 PLC	±-	APPLICATION SPEC		SIZE	A3
2 PLC	±0.25 [.010]	WEIGHT		CAGE CODE	00779
3 PLC	±-	CUSTOMER DRAWING		DRAWING NO	C-521125
4 PLC	±-			SCALE	3:1
ANGLES	±-			SHEET	1 OF 1
MATERIAL	SEE TABLE			REV	D
FINISH	NATURAL				