



Chipsmall Limited consists of a professional team with an average of over 10 year of expertise in the distribution of electronic components. Based in Hongkong, we have already established firm and mutual-benefit business relationships with customers from,Europe,America and south Asia,supplying obsolete and hard-to-find components to meet their specific needs.

With the principle of “Quality Parts,Customers Priority,Honest Operation,and Considerate Service”,our business mainly focus on the distribution of electronic components. Line cards we deal with include Microchip,ALPS,ROHM,Xilinx,Pulse,ON,Everlight and Freescale. Main products comprise IC,Modules,Potentiometer,IC Socket,Relay,Connector.Our parts cover such applications as commercial,industrial, and automotives areas.

We are looking forward to setting up business relationship with you and hope to provide you with the best service and solution. Let us make a better world for our industry!



Contact us

Tel: +86-755-8981 8866 Fax: +86-755-8427 6832

Email & Skype: info@chipsmall.com Web: www.chipsmall.com

Address: A1208, Overseas Decoration Building, #122 Zhenhua RD., Futian, Shenzhen, China



4

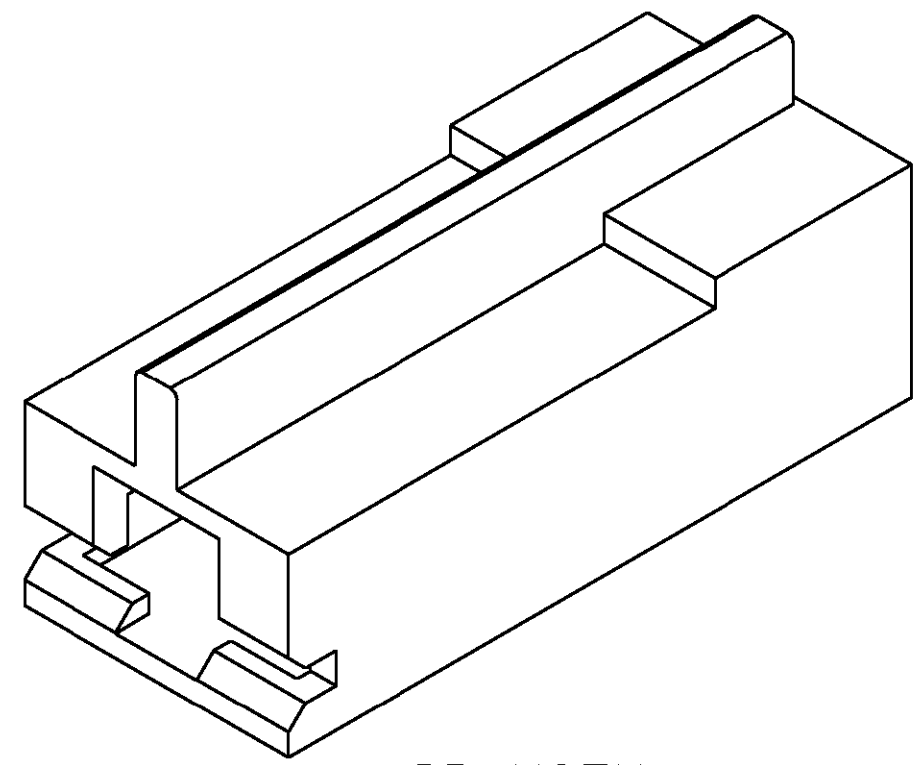
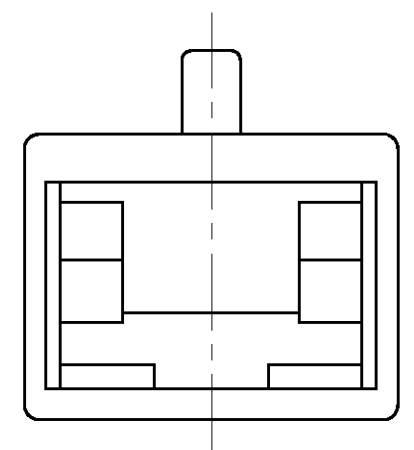
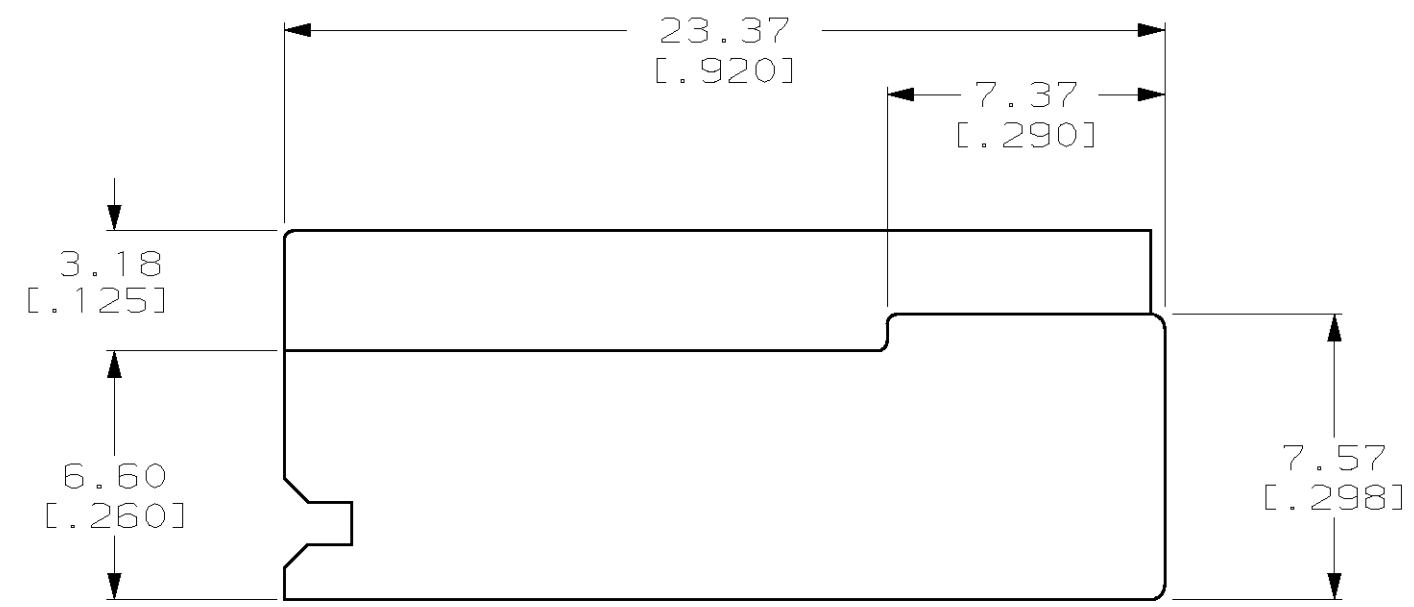
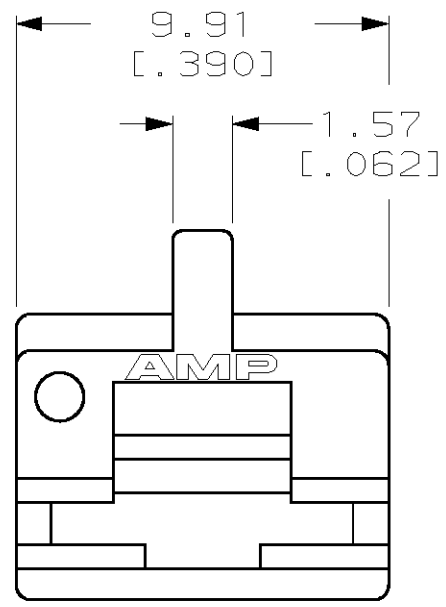
3

2

1

THIS DRAWING IS UNPUBLISHED. RELEASED FOR PUBLICATION ,19 .
© COPYRIGHT 19 BY AMP INCORPORATED. ALL RIGHTS RESERVED.

LOC	DIST	REVISIONS			
P	LTR	DESCRIPTION	DATE	DWN	APVD
AF	50	A	REL PER 063A-0067-00	07FEB00	JR PD



3D VIEW

521136-1
PART NO.

THIS DRAWING IS A CONTROLLED DOCUMENT.		DWN	JR RUTH	3/27/97	AMP AMP Incorporated Harrisburg, PA 17105-3608
DIMENSIONS: MM [INCHES]		CHK	MS FEHER	3/27/97	
TOLERANCES UNLESS OTHERWISE SPECIFIED:		APVD	R BEAVER	3/27/97	NAME
0 PLC ±-		PRODUCT SPEC		HOUSING, RECEPTACLE, FASTON, 6.35 [.250] SERIES	
1 PLC ±-		APPLICATION SPEC		SIZE	
2 PLC ±0.25 [.010]		WEIGHT		CAGE CODE	
3 PLC ±-		CUSTOMER DRAWING		DRAWING NO	
4 PLC ±-		SCALE		RESTRICTED TO	
ANGLES ±-		5:1		SHEET	
MATERIAL	6/6 NYLON	FINISH		NATURAL	
		SHEET		1 OF 1	
		REV		A	