



Chipsmall Limited consists of a professional team with an average of over 10 year of expertise in the distribution of electronic components. Based in Hongkong, we have already established firm and mutual-benefit business relationships with customers from,Europe,America and south Asia,supplying obsolete and hard-to-find components to meet their specific needs.

With the principle of "Quality Parts,Customers Priority,Honest Operation,and Considerate Service",our business mainly focus on the distribution of electronic components. Line cards we deal with include Microchip,ALPS,ROHM,Xilinx,Pulse,ON,Everlight and Freescale. Main products comprise IC,Modules,Potentiometer,IC Socket,Relay,Connector.Our parts cover such applications as commercial,industrial, and automotives areas.

We are looking forward to setting up business relationship with you and hope to provide you with the best service and solution. Let us make a better world for our industry!



Contact us

Tel: +86-755-8981 8866 Fax: +86-755-8427 6832

Email & Skype: info@chipsmall.com Web: www.chipsmall.com

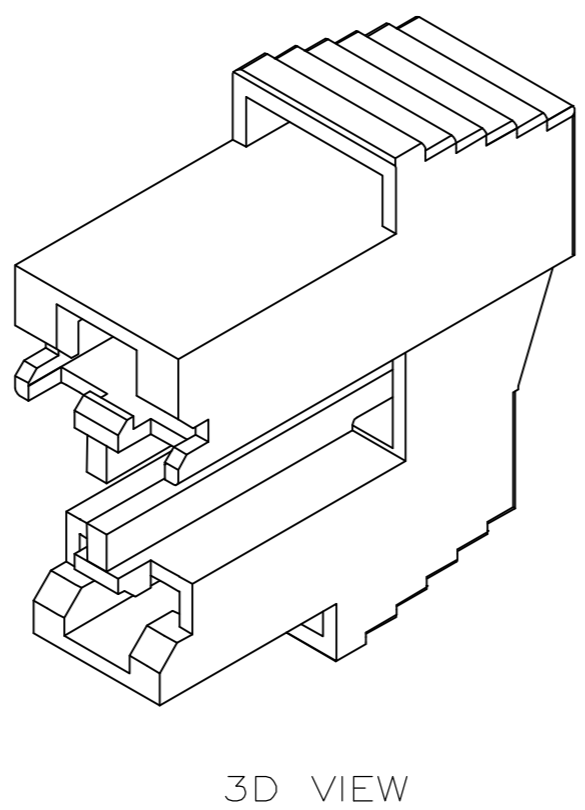
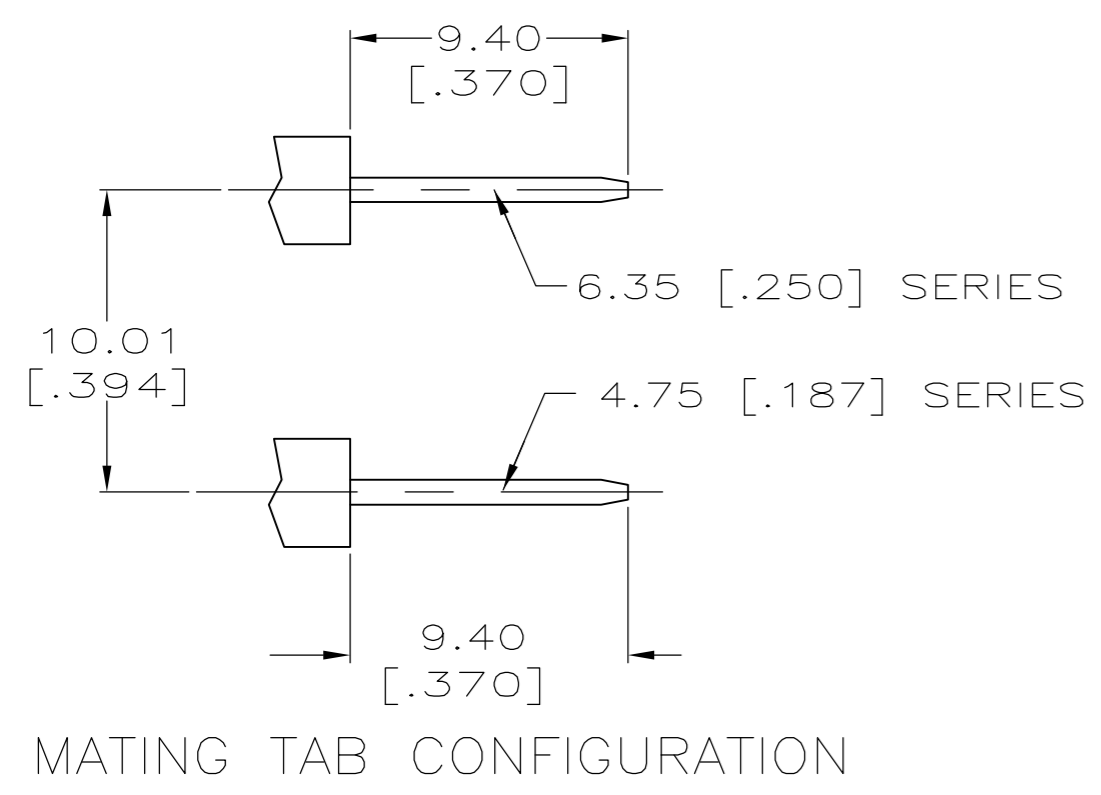
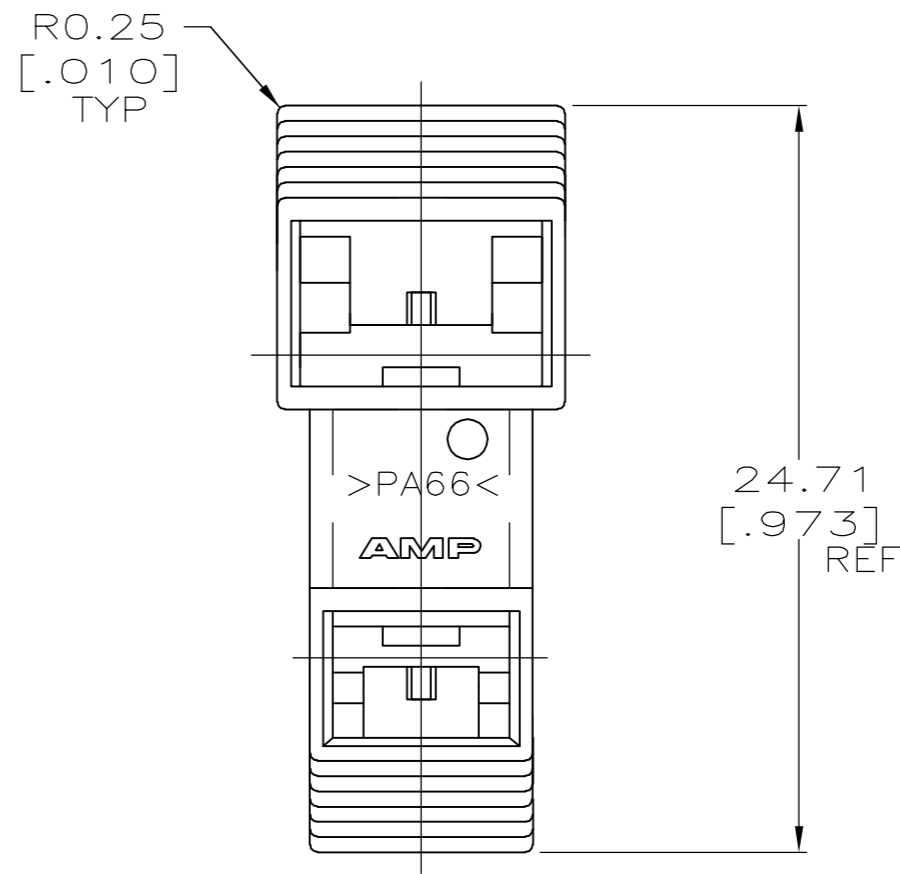
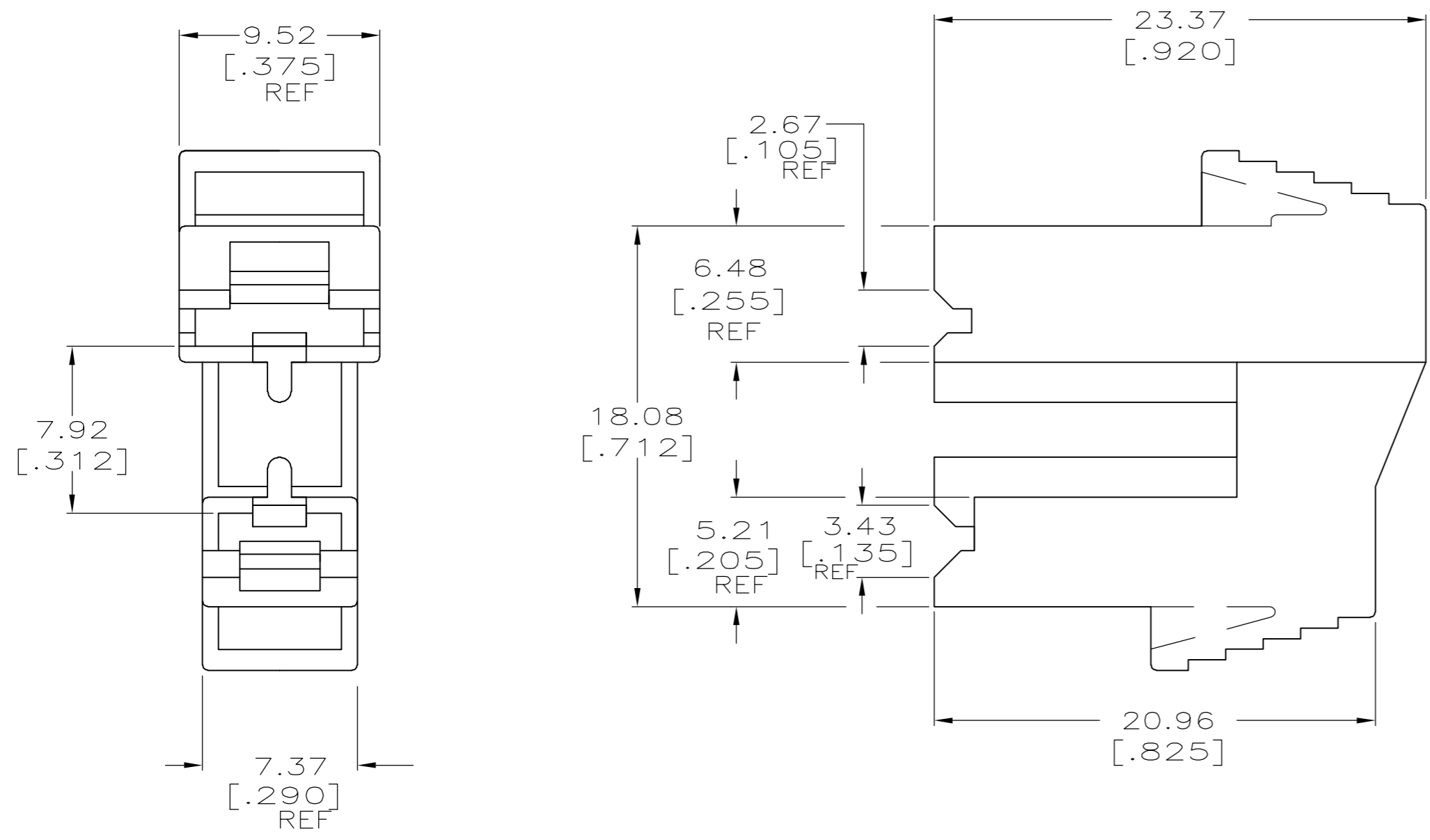
Address: A1208, Overseas Decoration Building, #122 Zhenhua RD., Futian, Shenzhen, China



THIS DRAWING IS UNPUBLISHED. RELEASED FOR PUBLICATION
 © COPYRIGHT BY TYCO ELECTRONICS CORPORATION. ALL RIGHTS RESERVED.

LOC	DIST	REVISIONS			
P	LTR	DESCRIPTION	DATE	DWN	APVD
AF	50	A1	REV PER ECR 07-004435	27FEB07	JR PD

- 1 CENTERLINE LOCATION OF MATING TABS MUST BE HELD TO A TOLERANCE OF ± 0.005 TO INSURE PROPER MATING WITH THIS HOUSING.
- 2 PRELIMINARY - NOT FOR PRODUCTION



BLACK	6/6 NYLON, V0	2 521148-2
BLACK	6/6 NYLON	521148-1
FINISH	MATERIAL	PART NO.

DIMENSIONS: INCHES		TOLERANCES UNLESS OTHERWISE SPECIFIED:		APPROVALS		DRAWING INFORMATION	
0 PLC	± -	1 PLC	± -	DWN	JR RUTH	7/28/97	tyco Electronics Tyco Electronics Corporation Harrisburg, PA 17105-3608
1 PLC	± -	2 PLC	± 0.25 [.010]	CHK	MS FEHER	7/28/97	
2 PLC	± -	3 PLC	± -	APVD	D BRATINA	7/28/97	
3 PLC	± -	4 PLC	± -	PRODUCT SPEC			
4 PLC	± -	ANGLES	± -	APPLICATION SPEC			NAME
FINISH	SEE TABLE	FINISH	SEE TABLE	WEIGHT	-	SIZE	A2
MATERIAL	SEE TABLE	FINISH	SEE TABLE	CUSTOMER DRAWING		CAGE CODE	00779
						DRAWING NO	C=521148
						RESTRICTED TO	-
						SCALE	4:1
						SHEET	1 of 1
						REV	A1