



Chipsmall Limited consists of a professional team with an average of over 10 year of expertise in the distribution of electronic components. Based in Hongkong, we have already established firm and mutual-benefit business relationships with customers from,Europe,America and south Asia,supplying obsolete and hard-to-find components to meet their specific needs.

With the principle of “Quality Parts,Customers Priority,Honest Operation,and Considerate Service”,our business mainly focus on the distribution of electronic components. Line cards we deal with include Microchip,ALPS,ROHM,Xilinx,Pulse,ON,Everlight and Freescale. Main products comprise IC,Modules,Potentiometer,IC Socket,Relay,Connector.Our parts cover such applications as commercial,industrial, and automotives areas.

We are looking forward to setting up business relationship with you and hope to provide you with the best service and solution. Let us make a better world for our industry!



Contact us

Tel: +86-755-8981 8866 Fax: +86-755-8427 6832

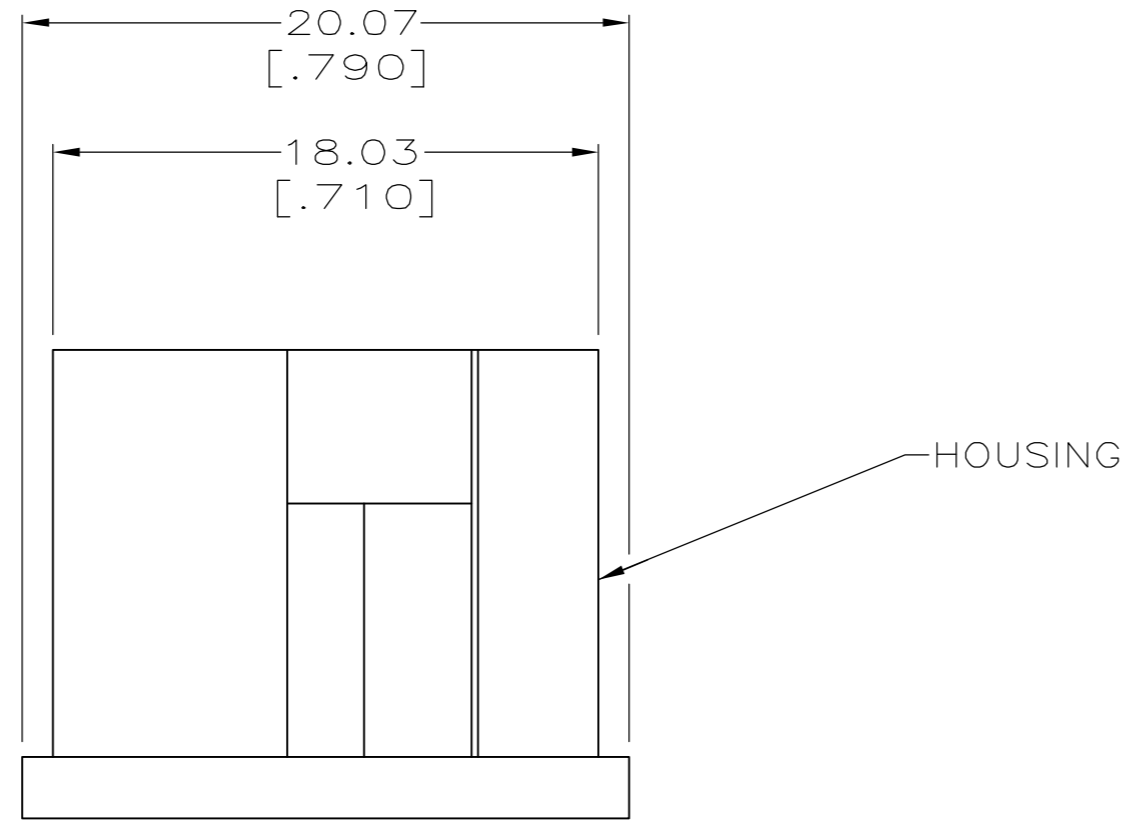
Email & Skype: info@chipsmall.com Web: www.chipsmall.com

Address: A1208, Overseas Decoration Building, #122 Zhenhua RD., Futian, Shenzhen, China



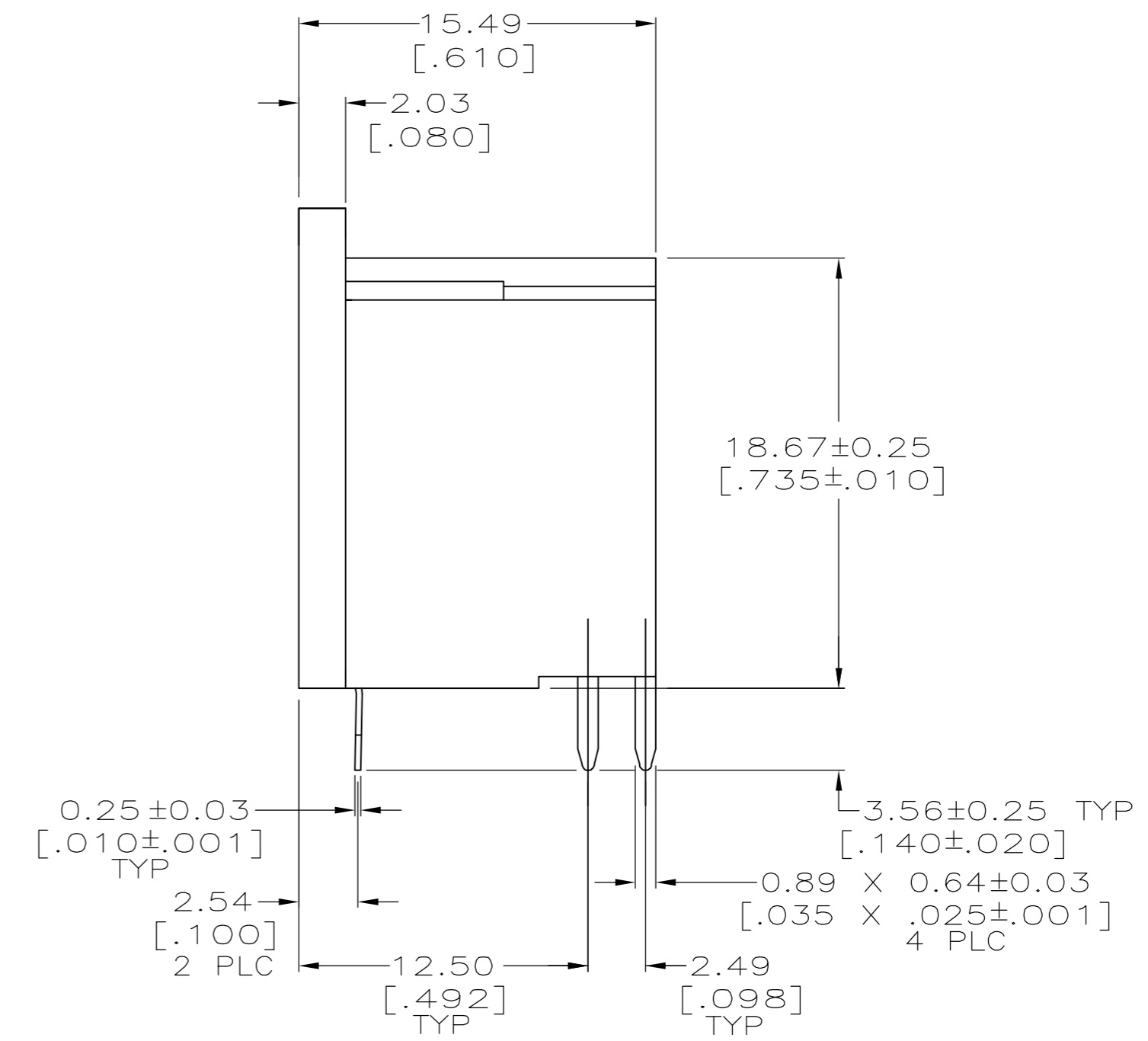
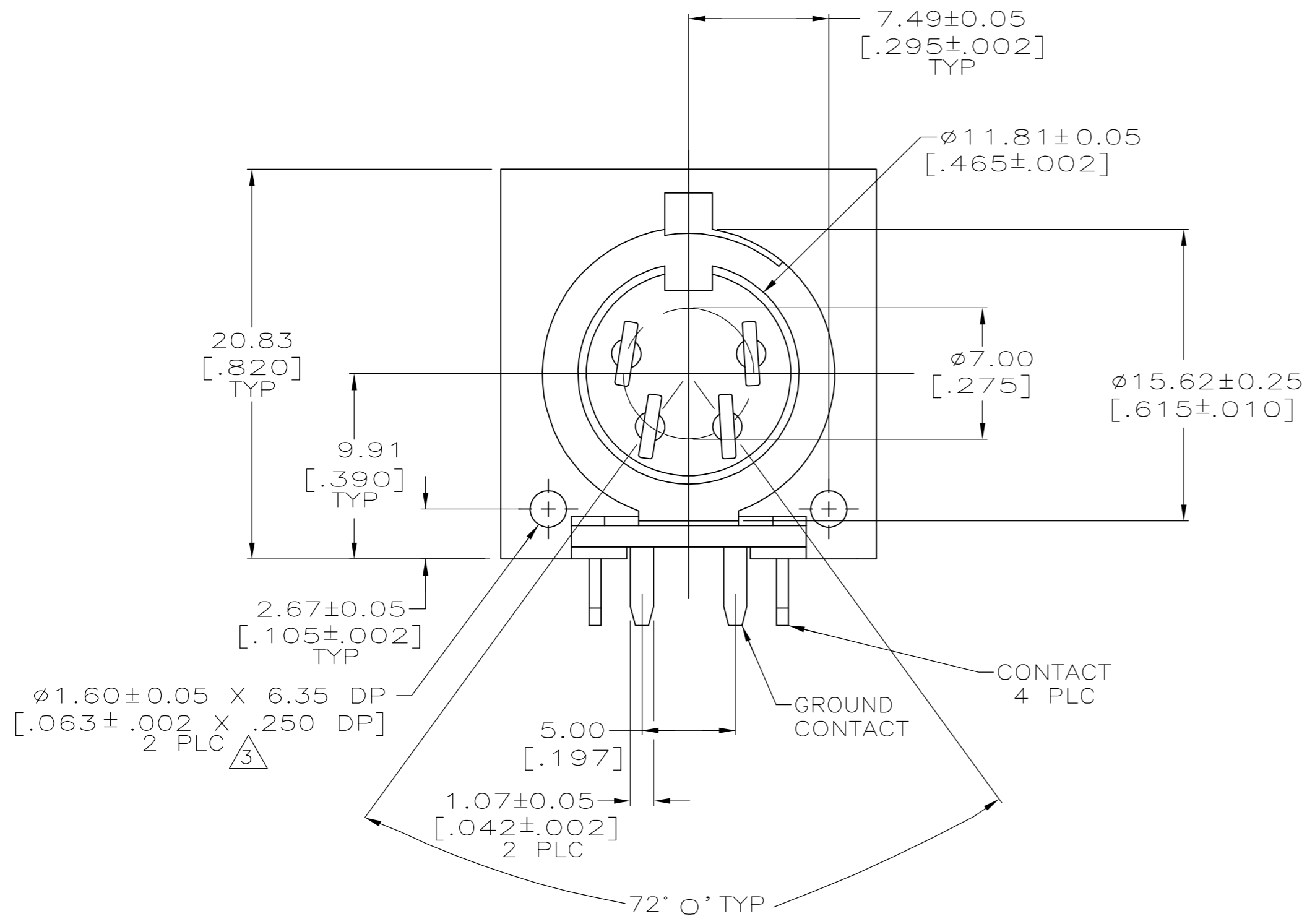
THIS DRAWING IS UNPUBLISHED. RELEASED FOR PUBLICATION
 © COPYRIGHT BY TYCO ELECTRONICS CORPORATION. ALL RIGHTS RESERVED.

LOC		DIST		REVISIONS			
P	LTR	DESCRIPTION		DATE	DWN	APVD	
GP	00	01		REVISED PER ECO-07-008008	10APR07	JDP/CWR	



- 1 HOUSING: NYLON, UL 94V-0 RATED, BLACK.
- 2 CONTACTS & GROUND CONTACT: 2.54 μm [.000100] MIN TIN OVER 1.27 μm [.000050] MIN NICKEL.
- 3 ACCEPTS #2 SELF-TAPPING SCREW, .250 LONG REF.
- 4 CONTACTS & GROUND CONTACT: BRASS.

HOUSING



5211508-1
PART NUMBER

THIS DRAWING IS A CONTROLLED DOCUMENT.		DWN L. VARELA - DOCK5 11-11-04	tyco Electronics Tyco Electronics Corporation Harrisburg, PA 17105-3608	
DIMENSIONS: mm [INCHES]		CHK C. ROHDE 11-11-04	NAME RECEPTACLE ASSY, RIGHT ANGLE, 4 POSITION, CIRCULAR DIN	
TOLERANCES UNLESS OTHERWISE SPECIFIED:		APVD M. WALMSLEY 11-11-04	PRODUCT SPEC 108-10047	
0 PLC ± -		APPLICATION SPEC 114-40025	SIZE A2	CAGE CODE 00779
1 PLC ± -		WEIGHT -	DRAWING NO C=5211508	RESTRICTED TO -
2 PLC ± 0.13[.005]		SCALE 4:1		
3 PLC ± -		SHEET 1 of 1		
4 PLC ± -		REV 01		
ANGLES ± 0° 30'		CUSTOMER DRAWING		
FINISH				