



Chipsmall Limited consists of a professional team with an average of over 10 year of expertise in the distribution of electronic components. Based in Hongkong, we have already established firm and mutual-benefit business relationships with customers from,Europe,America and south Asia,supplying obsolete and hard-to-find components to meet their specific needs.

With the principle of “Quality Parts,Customers Priority,Honest Operation,and Considerate Service”,our business mainly focus on the distribution of electronic components. Line cards we deal with include Microchip,ALPS,ROHM,Xilinx,Pulse,ON,Everlight and Freescale. Main products comprise IC,Modules,Potentiometer,IC Socket,Relay,Connector.Our parts cover such applications as commercial,industrial, and automotives areas.

We are looking forward to setting up business relationship with you and hope to provide you with the best service and solution. Let us make a better world for our industry!



## Contact us

Tel: +86-755-8981 8866 Fax: +86-755-8427 6832

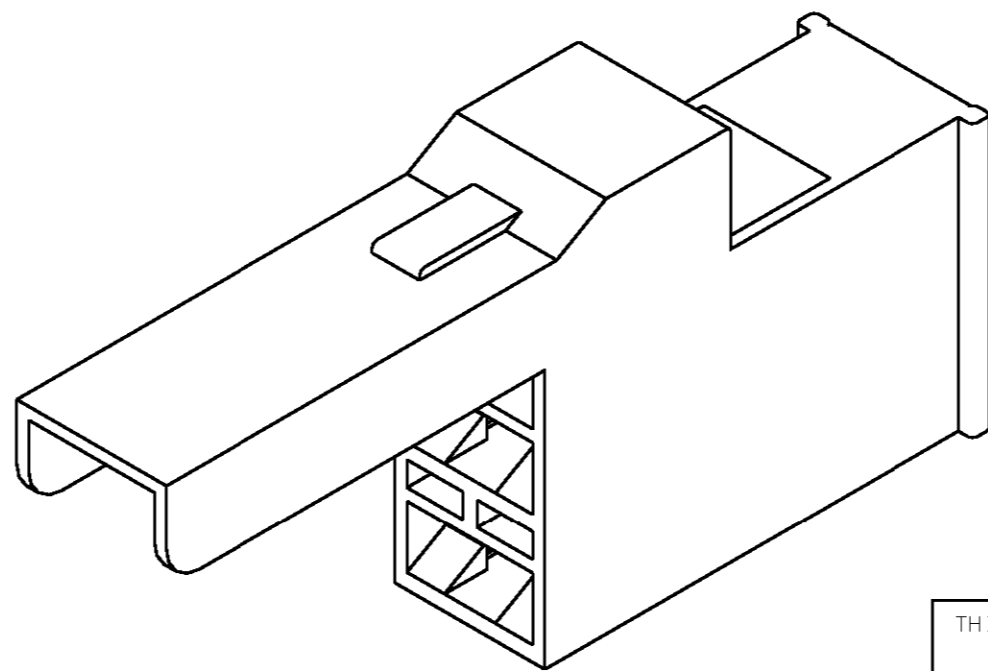
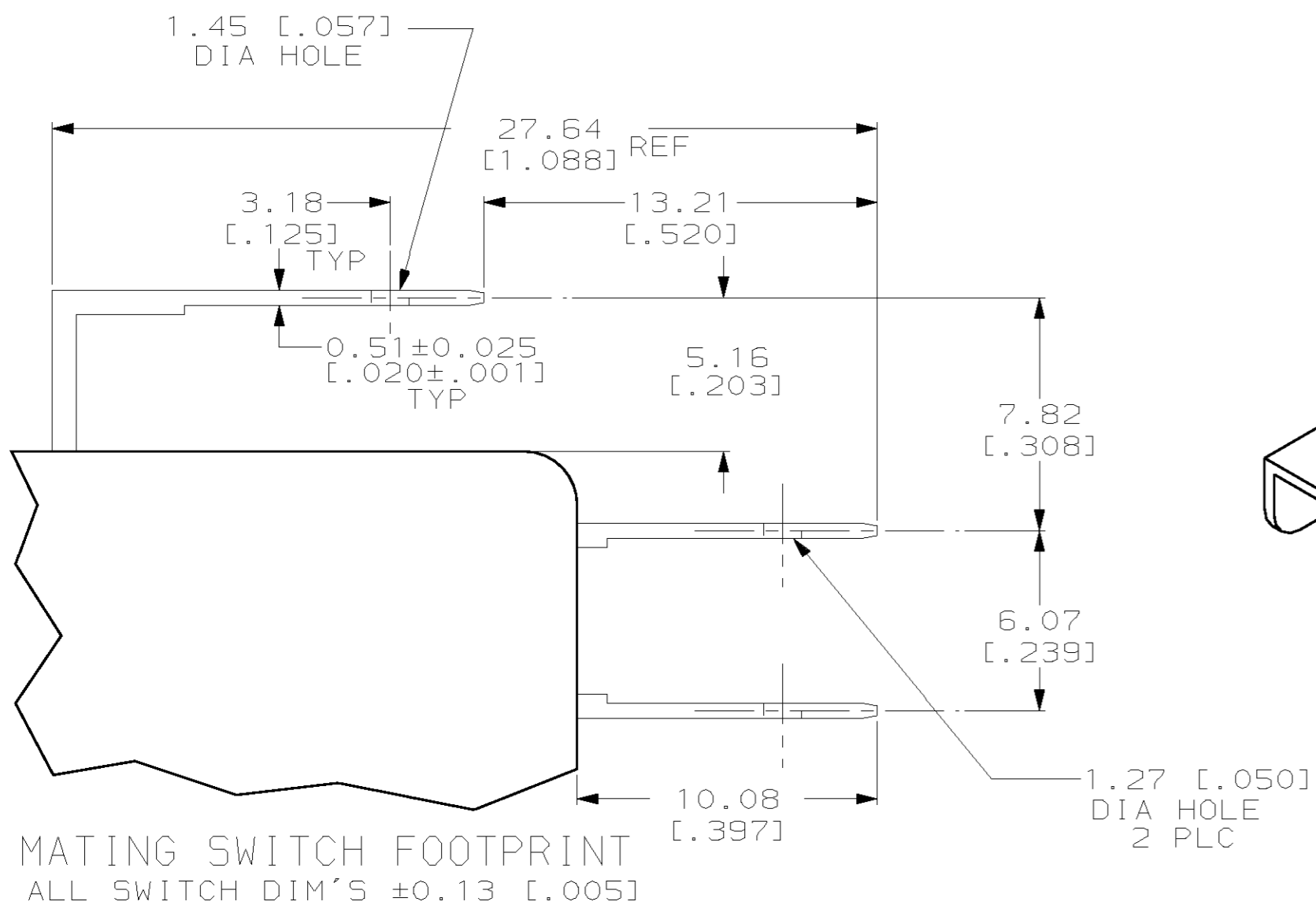
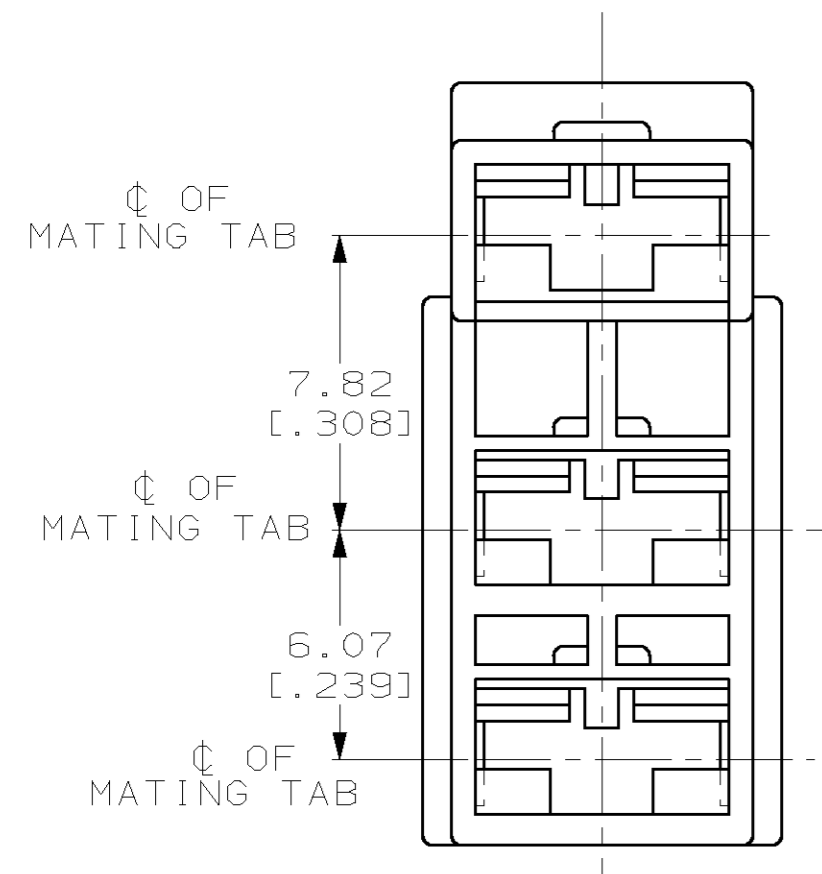
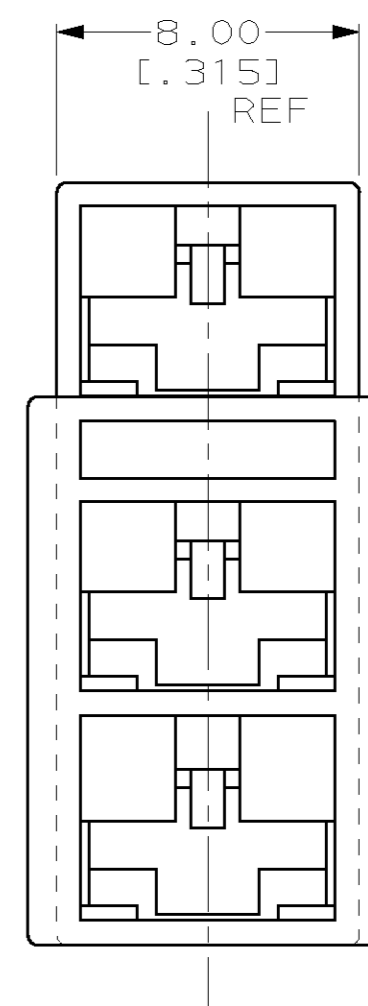
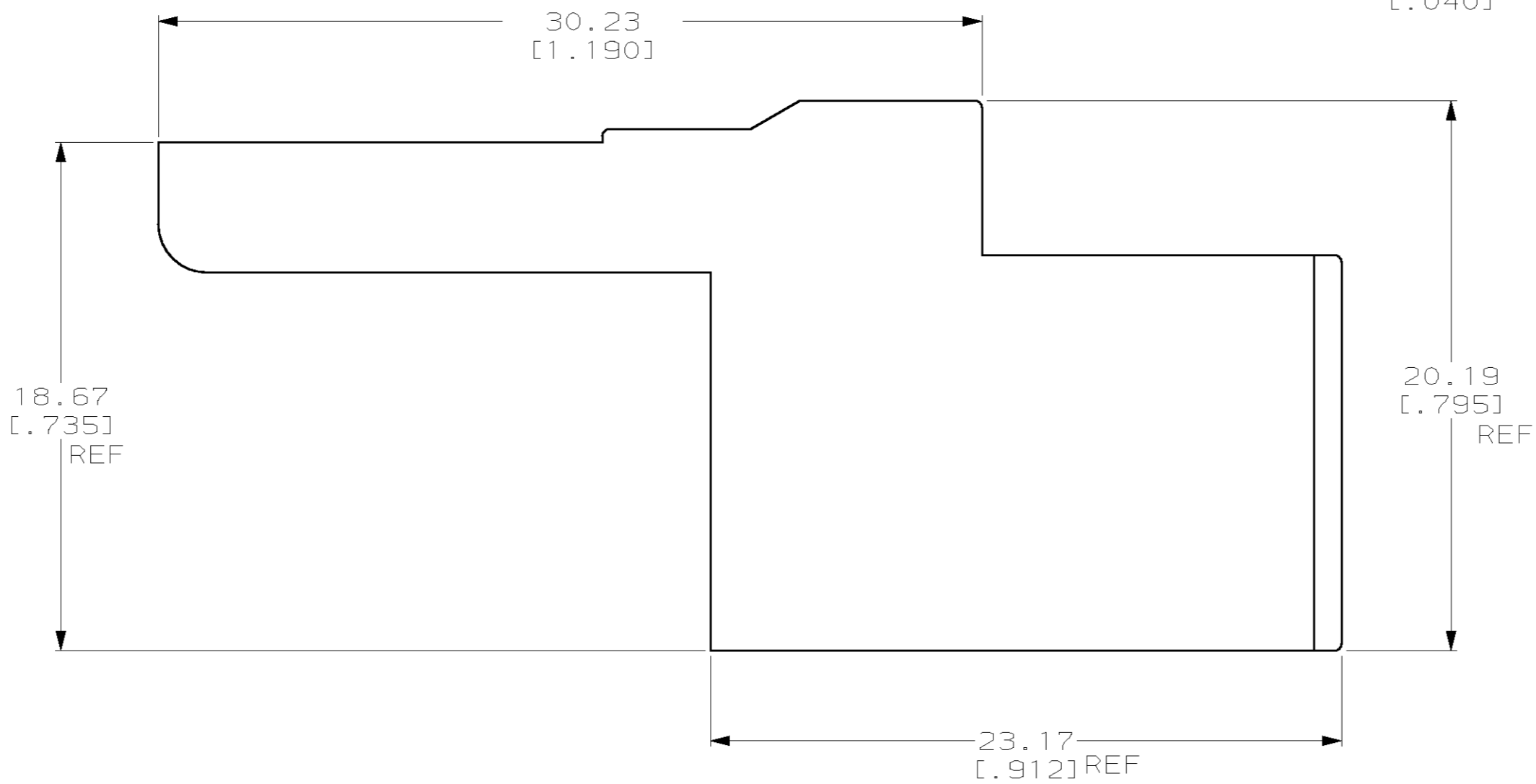
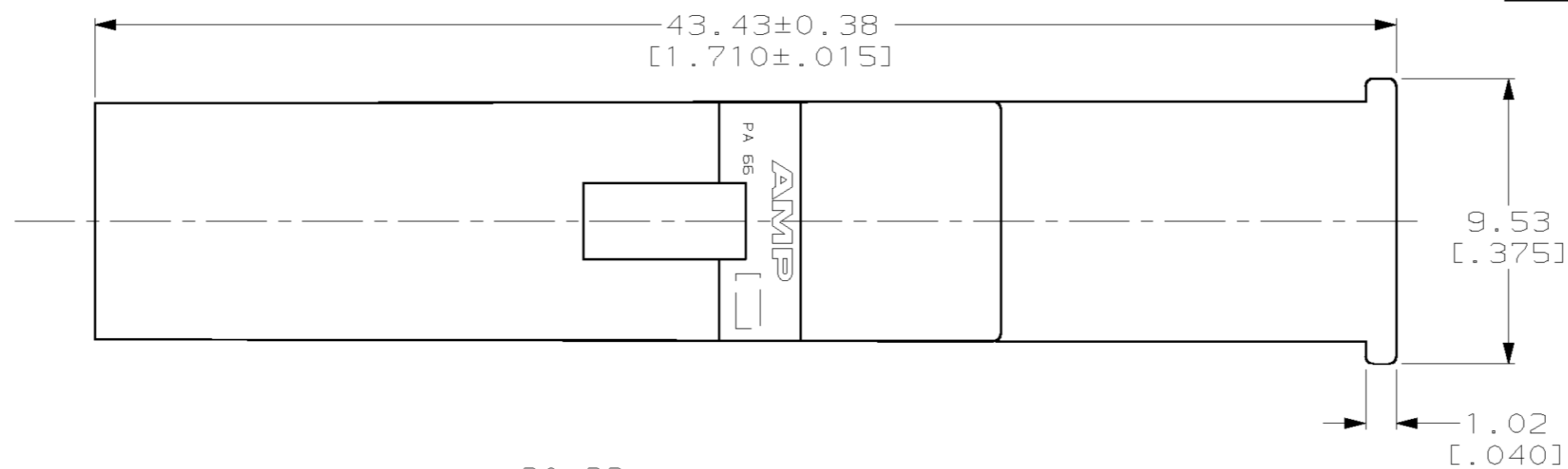
Email & Skype: info@chipsmall.com Web: www.chipsmall.com

Address: A1208, Overseas Decoration Building, #122 Zhenhua RD., Futian, Shenzhen, China



THIS DRAWING IS UNPUBLISHED. RELEASED FOR PUBLICATION .19  
 © COPYRIGHT 19 BY AMP INCORPORATED. ALL RIGHTS RESERVED.

LOC		DIST		REVISIONS			
P	LTR	DESCRIPTION	DATE	DWN	APVD		
AF	50	A	REL PER 063A-0098-99	13AUG99	JR	EH	



3D VIEW

1 ACCEPTS TERMINAL P/N'S 1217113 & 1217114.

RED	521198-2
NATURAL	521198-1
COLOR	PART NO.

<b>AMP</b> AMP Incorporated Harrisburg, PA 17105-3608	
NAME: HOUSING, RECEPT, POSI-LOCK, MK III, 4.75 [.187] SERIES	
SIZE: A2	CAGE CODE: 00779
DRAWING NO: 521198	RESTRICTED TO: -
SCALE: 5:1	SHEET: 1 OF 1
CUSTOMER DRAWING	REV: A

THIS DRAWING IS A CONTROLLED DOCUMENT.		DWN: JR RUTH 22MAR99
DIMENSIONS: MM [INCHES]		CHK: MS FEHER 22MAR99
TOLERANCES UNLESS OTHERWISE SPECIFIED:		APVD: E HOWARD 22MAR99
0 PLC	±-	PRODUCT SPEC
1 PLC	±-	APPLICATION SPEC
2 PLC	±0.25 [.010]	
3 PLC	±-	
4 PLC	±-	
ANGLES	±-	
MATERIAL: 6/6 NYLON UL94V2	FINISH: NATURAL	WEIGHT: -