



Chipsmall Limited consists of a professional team with an average of over 10 year of expertise in the distribution of electronic components. Based in Hongkong, we have already established firm and mutual-benefit business relationships with customers from,Europe,America and south Asia,supplying obsolete and hard-to-find components to meet their specific needs.

With the principle of “Quality Parts,Customers Priority,Honest Operation,and Considerate Service”,our business mainly focus on the distribution of electronic components. Line cards we deal with include Microchip,ALPS,ROHM,Xilinx,Pulse,ON,Everlight and Freescale. Main products comprise IC,Modules,Potentiometer,IC Socket,Relay,Connector.Our parts cover such applications as commercial,industrial, and automotives areas.

We are looking forward to setting up business relationship with you and hope to provide you with the best service and solution. Let us make a better world for our industry!



Contact us

Tel: +86-755-8981 8866 Fax: +86-755-8427 6832

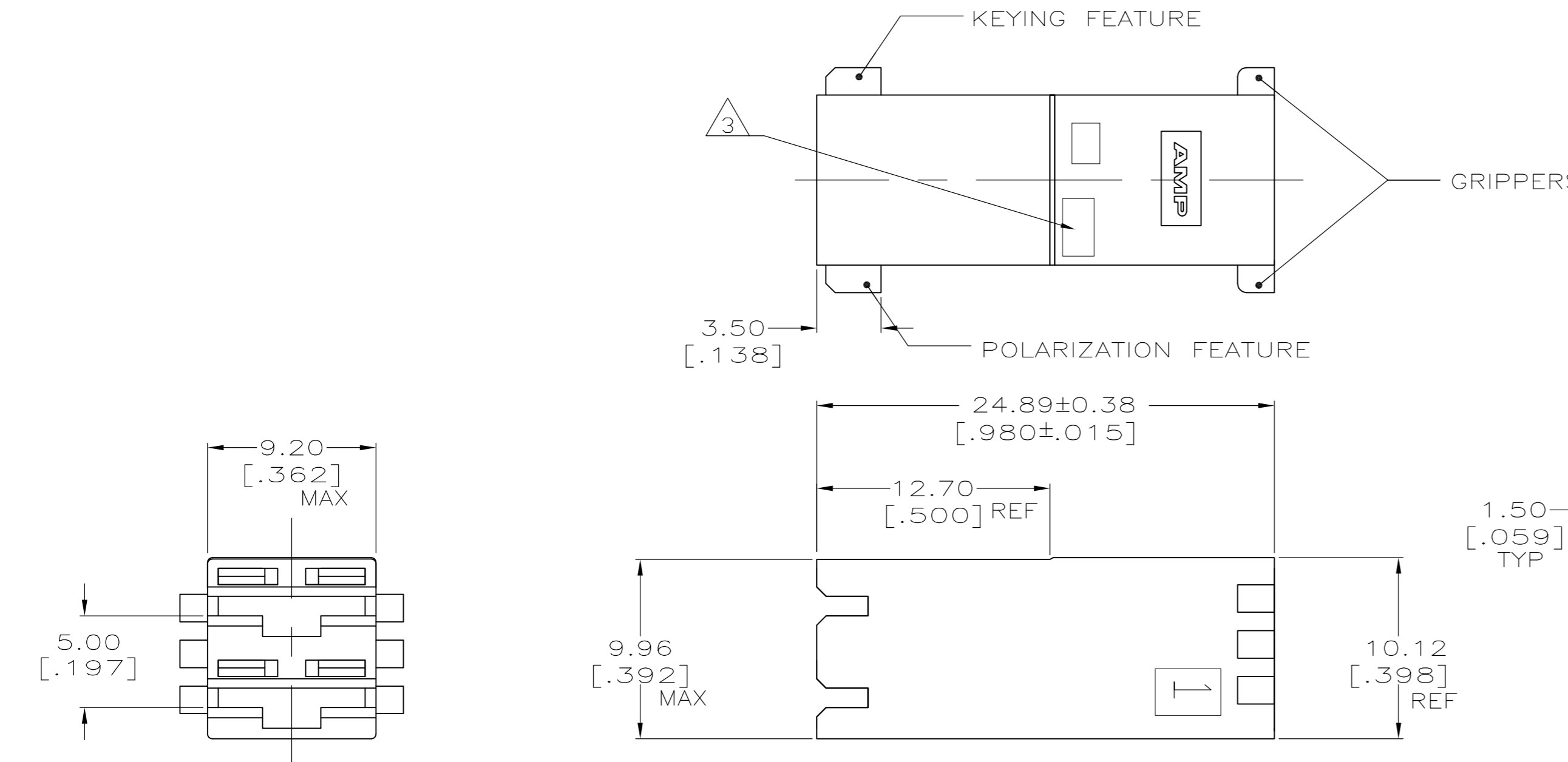
Email & Skype: info@chipsmall.com Web: www.chipsmall.com

Address: A1208, Overseas Decoration Building, #122 Zhenhua RD., Futian, Shenzhen, China



THIS DRAWING IS UNPUBLISHED. RELEASED FOR PUBLICATION
 © COPYRIGHT - By - ALL RIGHTS RESERVED.

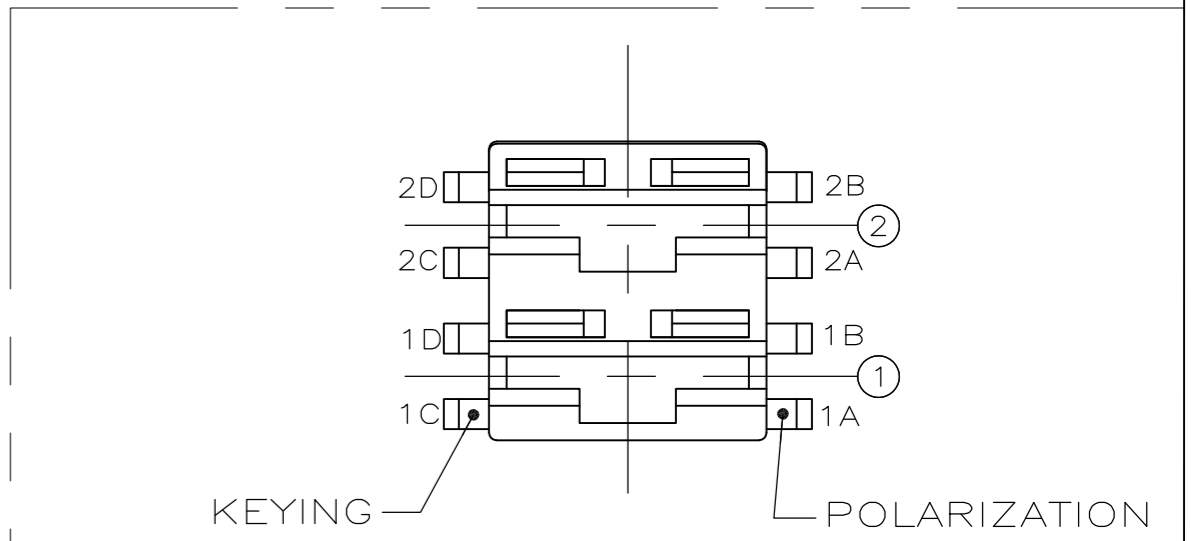
REVISIONS					
P	LTR	DESCRIPTION	DATE	DWN	APVD
S		REVISED PER ECR-16-001902	22MAR2016	BW	JP



1 ACCEPTS RECEPTACLE CONTACTS 1217378(#18-#22 AWG SINGLE WIRE), 1217094(#18-#14 AWG SINGLE WIRE) AND 1217095 (TWO #18'S OR TWO #16'S OR A #16 + #18 COMBINATION).

2 FRONT AND BACK VIEWS SHOW ONLY THE GRIPPERS. FOR KEYING AND POLARIZATION FEATURES, SEE SPECIAL FRONT VIEW.

- 3 DFE SYMBOL
- 4 PRELIMINARY - NOT FOR PRODUCTION
- 5 PA6, GWEPT 750°C NO FLAME
- 6 PRE-PRODUCTION - FASR REQUIRED



KEYING & POLARIZATION CODING AND COMBINATIONS
SPECIAL FRONT VIEW

RAST CONFIGURATION	FINISH/COLOR	KEYING FEATURE	POLARIZATION FEATURES	PART NO.
02-A	NATURAL	1C,2D	1B & 2A	5 1-521204-5
-	NATURAL	NONE	NONE	5 1-521204-4
02-A	NATURAL	1C,2D	1B & 2A	4 1-521204-2
02-A	NATURAL	1C,2D	1B & 2A	4 1-521204-1
-	BLUE	1C,2D	1A,1B,2A,2B	4 1-521204-0
02-C	BLUE	1C,2D	2A	4 521204-9
02-K	BLUE	1C	1A & 2A	521204-8
02-B	BLUE	1C	1A & 2B	521204-7
02-A	BLUE	1C,2D	1B & 2A	521204-6
-	BLUE	NONE	NONE	521204-5
-	NATURAL	1D	1A & 2B	4 521204-4
02-E	NATURAL	2D	1A & 2B	6 521204-3
-	BLUE	1D	1A & 2B	521204-2
02-E	BLUE	2D	1A & 2B	521204-1

THIS DRAWING IS A CONTROLLED DOCUMENT.

DWN: JR RUTH 10/20/98
 CHK: MS FEHER 10/20/98
 APVD: J GILLESPIE 10/20/98

TE Connectivity

HOUSING, RECEPT, POSITIVE-LOCK, MKIII, 6.35 [.250] SERIES, 2 POSITION

SIZE: A2 CAGE CODE: 00779 DRAWING NO: 521204 RESTRICTED TO: -

MATERIAL: NYLON 3 FINISH: SEE TABLE WEIGHT: CUSTOMER DRAWING SCALE: 4:1 SHEET: 1 of 1 REV: S