



Chipsmall Limited consists of a professional team with an average of over 10 year of expertise in the distribution of electronic components. Based in Hongkong, we have already established firm and mutual-benefit business relationships with customers from,Europe,America and south Asia,supplying obsolete and hard-to-find components to meet their specific needs.

With the principle of “Quality Parts,Customers Priority,Honest Operation,and Considerate Service”,our business mainly focus on the distribution of electronic components. Line cards we deal with include Microchip,ALPS,ROHM,Xilinx,Pulse,ON,Everlight and Freescale. Main products comprise IC,Modules,Potentiometer,IC Socket,Relay,Connector.Our parts cover such applications as commercial,industrial, and automotives areas.

We are looking forward to setting up business relationship with you and hope to provide you with the best service and solution. Let us make a better world for our industry!



## Contact us

Tel: +86-755-8981 8866 Fax: +86-755-8427 6832

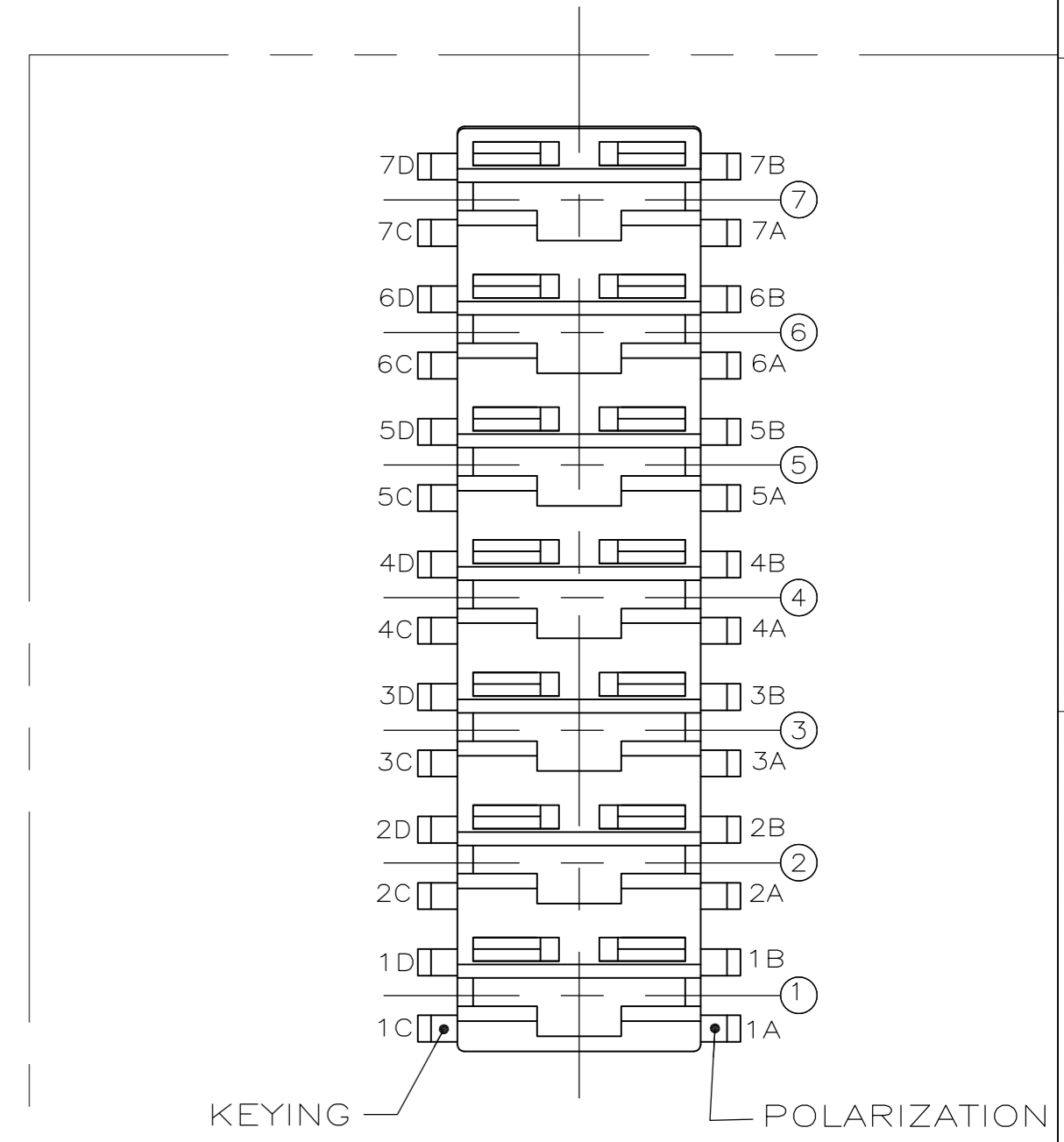
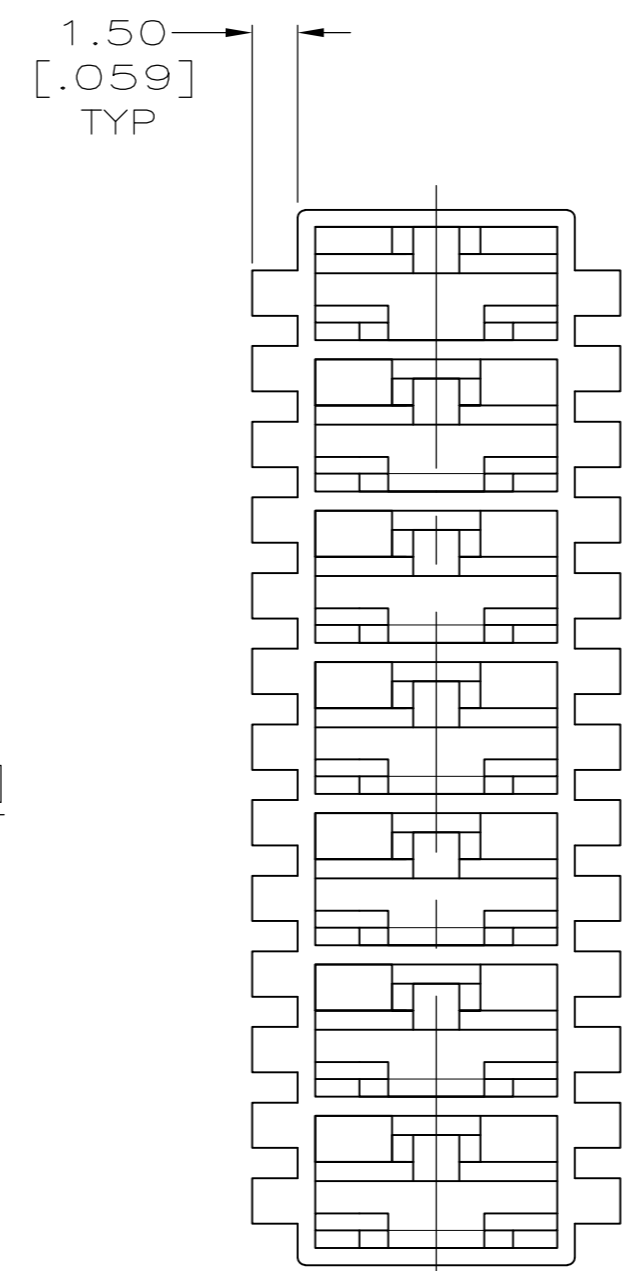
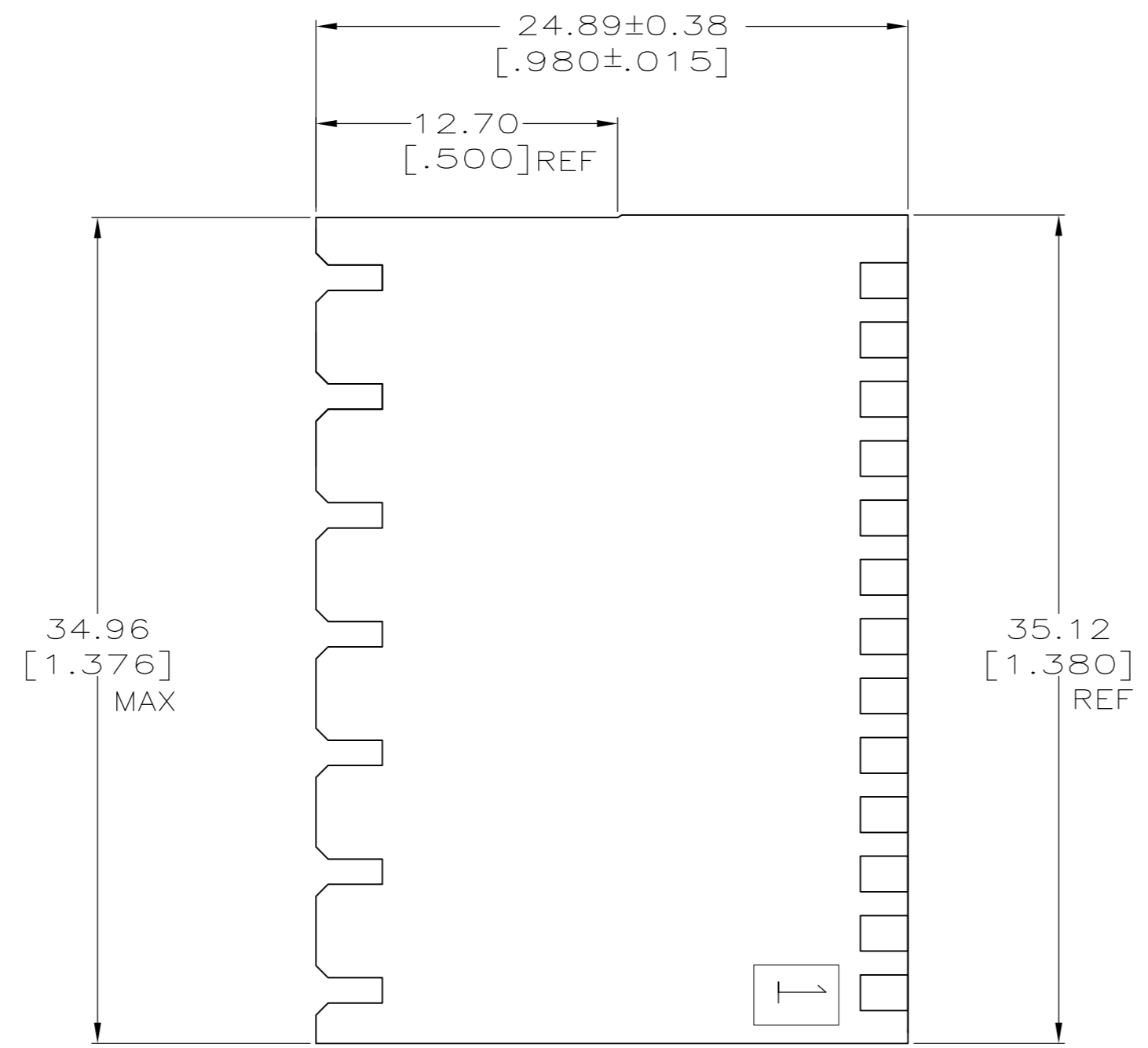
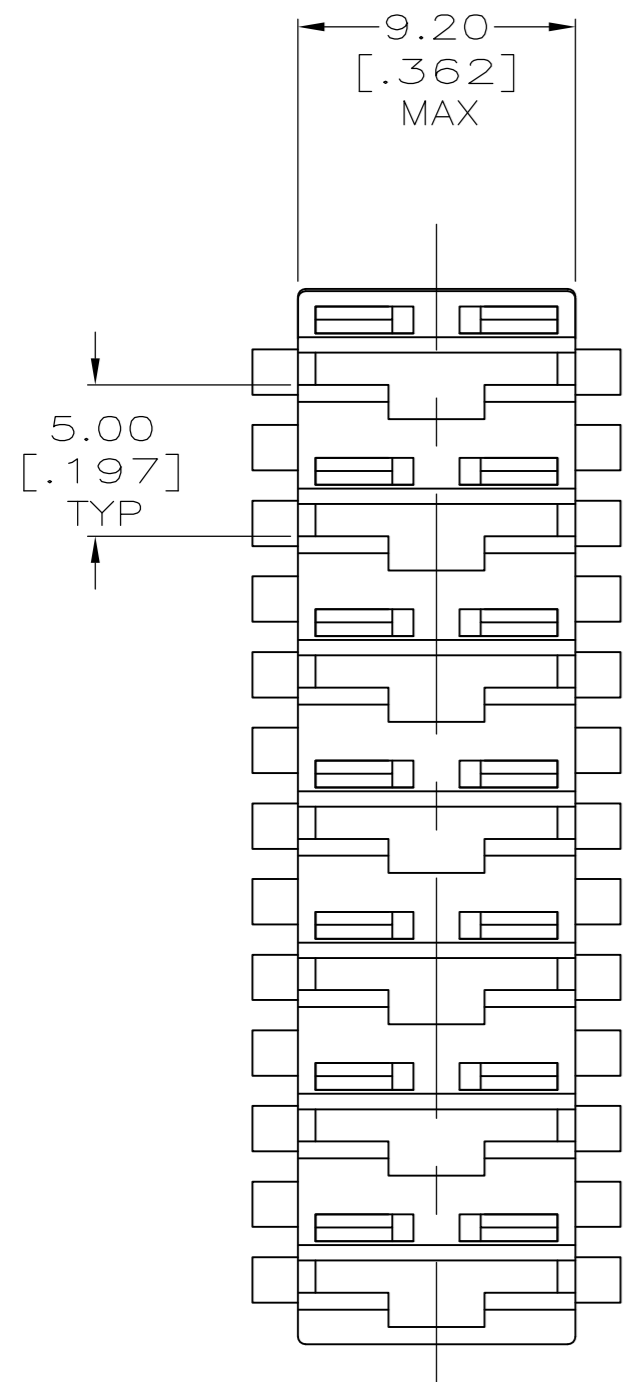
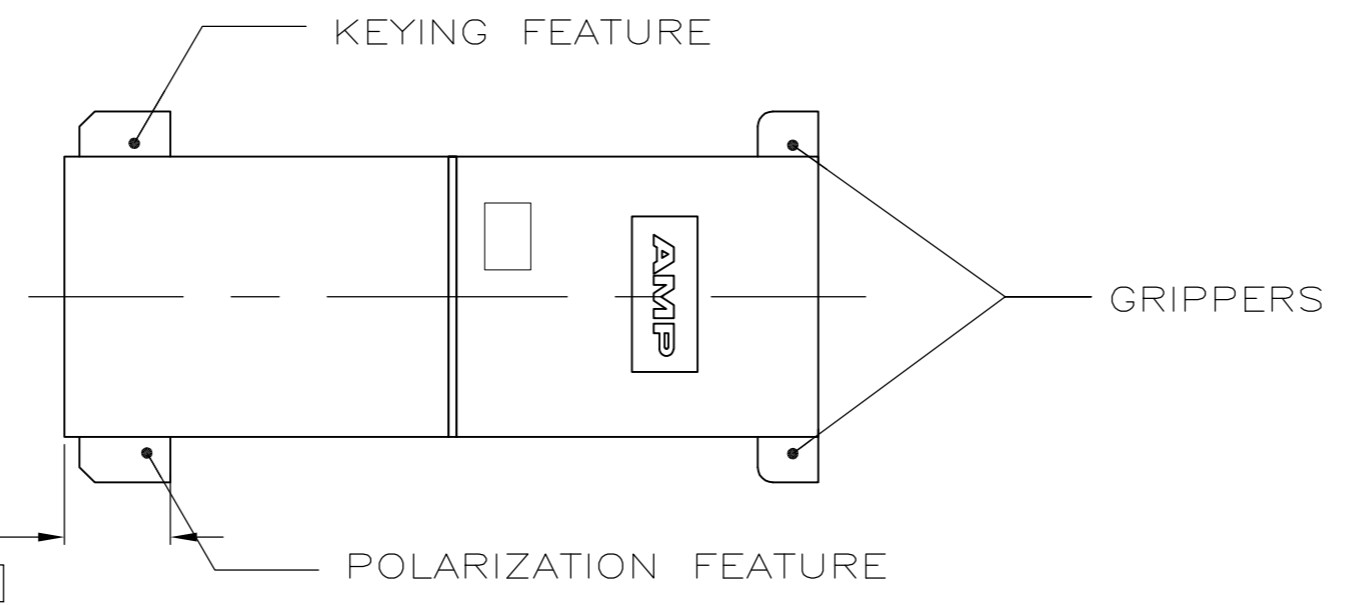
Email & Skype: info@chipsmall.com Web: www.chipsmall.com

Address: A1208, Overseas Decoration Building, #122 Zhenhua RD., Futian, Shenzhen, China



THIS DRAWING IS UNPUBLISHED. RELEASED FOR PUBLICATION  
 © COPYRIGHT - By - ALL RIGHTS RESERVED.

LOC	DIST	REVISIONS			
P	LTR	DESCRIPTION	DATE	DWN	APVD
AF	50	G	REVISED PER ECR-16-001902	22MAR2016	BW JP



KEYING & POLARIZATION  
 CODING AND COMBINATIONS  
 SPECIAL FRONT VIEW

1 ACCEPTS RECEPTACLE CONTACTS 1217378(#18-#22 AWG SINGLE WIRE), 1217094(#18-#14 AWG SINGLE WIRE) AND 1217095 (TWO #18'S OR TWO #16'S OR A #16 + #18 COMBINATION).

2 FRONT AND BACK VIEWS SHOW ONLY THE GRIPPERS. FOR KEYING AND POLARIZATION FEATURES, SEE SPECIAL FRONT VIEW.

**3** PRELIMINARY - NOT FOR PRODUCTION

---	BLUE	4C,7C	NONE	<b>3</b> 521209-3
---	BLUE	2C, 2D	NONE	521209-2
---	BLUE	NONE	NONE	521209-1
RAST 5 DESIGNATION	FINISH/COLOR	KEYING FEATURE	POLARIZATION FEATURES	PART NO.
THIS DRAWING IS A CONTROLLED DOCUMENT.		DWN JR RUTH 10/20/98	 TE Connectivity HOUSING, RECEPT, POSITIVE-LOCK, MKIII, 6.35 [.250] SERIES, 7 POSITION	
DIMENSIONS: mm		CHK MS FEHER 10/20/98		
TOLERANCES UNLESS OTHERWISE SPECIFIED:		APVD E HOWARD 10/20/98		
0 PLC ± - 1 PLC ± - 2 PLC ± 0.25 [.010] 3 PLC ± - 4 PLC ± - ANGLES ± -		PRODUCT SPEC -		
MATERIAL NYLON	FINISH BLUE	APPLICATION SPEC -	WEIGHT	SIZE A2
CUSTOMER DRAWING		SCALE 4:1	CAGE CODE 00779	DRAWING NO 521209
			RESTRICTED TO	REV G