



Chipsmall Limited consists of a professional team with an average of over 10 year of expertise in the distribution of electronic components. Based in Hongkong, we have already established firm and mutual-benefit business relationships with customers from,Europe,America and south Asia,supplying obsolete and hard-to-find components to meet their specific needs.

With the principle of “Quality Parts,Customers Priority,Honest Operation,and Considerate Service”,our business mainly focus on the distribution of electronic components. Line cards we deal with include Microchip,ALPS,ROHM,Xilinx,Pulse,ON,Everlight and Freescale. Main products comprise IC,Modules,Potentiometer,IC Socket,Relay,Connector.Our parts cover such applications as commercial,industrial, and automotives areas.

We are looking forward to setting up business relationship with you and hope to provide you with the best service and solution. Let us make a better world for our industry!



## Contact us

Tel: +86-755-8981 8866 Fax: +86-755-8427 6832

Email & Skype: info@chipsmall.com Web: www.chipsmall.com

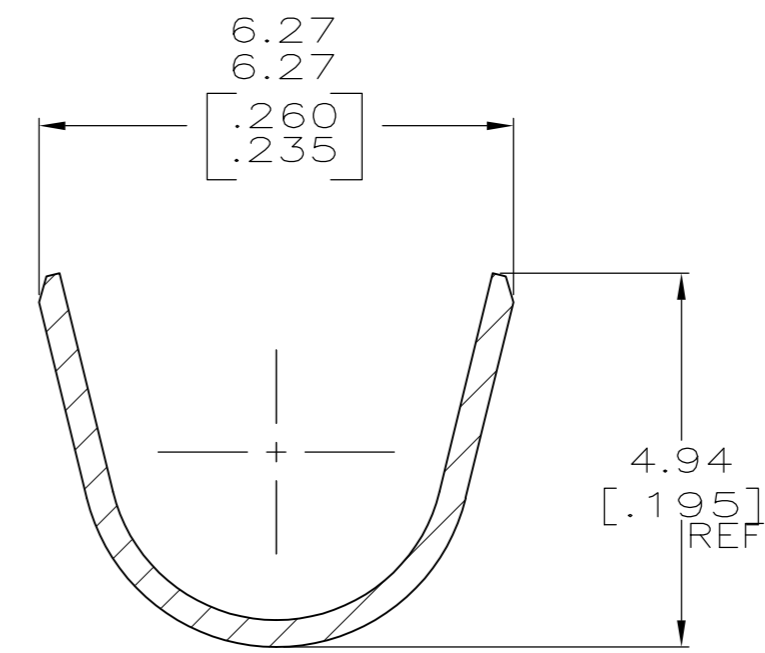
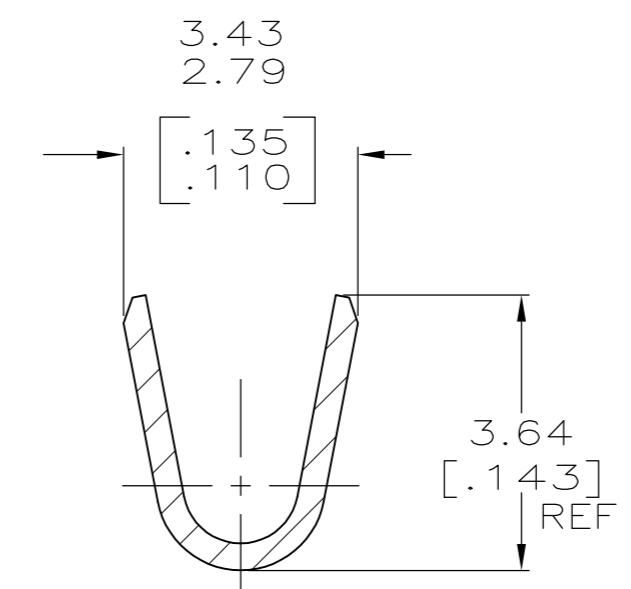
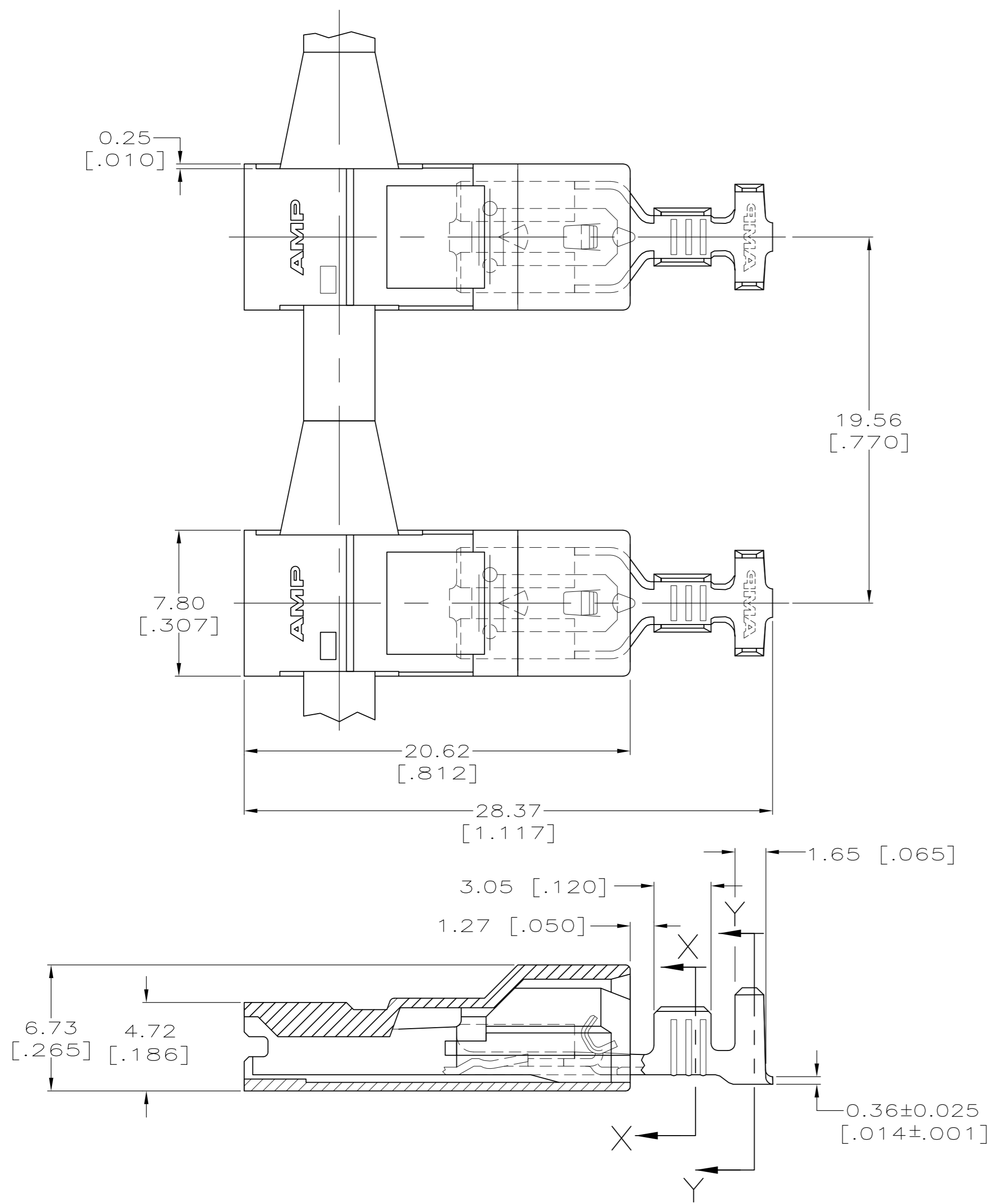
Address: A1208, Overseas Decoration Building, #122 Zhenhua RD., Futian, Shenzhen, China



THIS DRAWING IS UNPUBLISHED. RELEASED FOR PUBLICATION  
 © COPYRIGHT - By - ALL RIGHTS RESERVED.

LOC		DIST		REVISIONS			
P	LTR	DESCRIPTION	DATE	DWN	APVD		
AF	50	F	REVISED PER ECR-12-013219	08JAN13	KH	KR	

- 1 MATING TAB THK TO BE  $0.51 \pm 0.025$   $[\.020 \pm .001]$ .
- 2 TIN PLATE  $0.001016$   $[\.000040]$  MIN THK.
- 3 WIRE SIZE IS  $[\#18-\#14]$  AWG.
- 4 INSULATION RANGE IS  $2.79-4.57$   $[\.110-.180]$  DIA.  
 $2.79-3.56$   $[\.110-.140]$  DIA - CRIMP WIDTH  $4.57$   $[\.180]$ , F TYPE  
 $3.56-4.57$   $[\.140-.180]$  DIA - CRIMP WIDTH  $4.57$   $[\.180]$ , O TYPE



6/6 V0 NYLON, NATURAL	521212-2
4/6 V2 NYLON (150° C) BLACK	521212-1
MATERIAL	PART NO.

THIS DRAWING IS A CONTROLLED DOCUMENT.		DWN	JR RUTH	01APR99	 TE Connectivity
DIMENSIONS: mm [INCHES]		CHK	MS FEHER	01APR99	
TOLERANCES UNLESS OTHERWISE SPECIFIED:		APVD	J HUMMEL	01APR99	
0 PLC ± - 1 PLC ± - 2 PLC ± 0.25 $[\.010]$ 3 PLC ± - 4 PLC ± - ANGLES ± -		PRODUCT SPEC	NAME		
MATERIAL		APPLICATION SPEC	ASSEMBLY, RECEPT, POSI-LOCK, ULTRA-POD, 4.75 $[\.187]$ SERIES		RESTRICTED TO
TERMINAL - BRASS HOUSING - SEE TABLE		FINISH	WEIGHT	-	SIZE
TERMINAL - TIN HOUSING - SEE TABLE		SCALE	A2 00779 C=521212		CAGE CODE
CUSTOMER DRAWING		SCALE		5:1	DRAWING NO
		SHEET		1 of 1	REV
		REV		F	