



Chipsmall Limited consists of a professional team with an average of over 10 year of expertise in the distribution of electronic components. Based in Hongkong, we have already established firm and mutual-benefit business relationships with customers from,Europe,America and south Asia,supplying obsolete and hard-to-find components to meet their specific needs.

With the principle of “Quality Parts,Customers Priority,Honest Operation,and Considerate Service”,our business mainly focus on the distribution of electronic components. Line cards we deal with include Microchip,ALPS,ROHM,Xilinx,Pulse,ON,Everlight and Freescale. Main products comprise IC,Modules,Potentiometer,IC Socket,Relay,Connector.Our parts cover such applications as commercial,industrial, and automotives areas.

We are looking forward to setting up business relationship with you and hope to provide you with the best service and solution. Let us make a better world for our industry!



## Contact us

Tel: +86-755-8981 8866 Fax: +86-755-8427 6832

Email & Skype: info@chipsmall.com Web: www.chipsmall.com

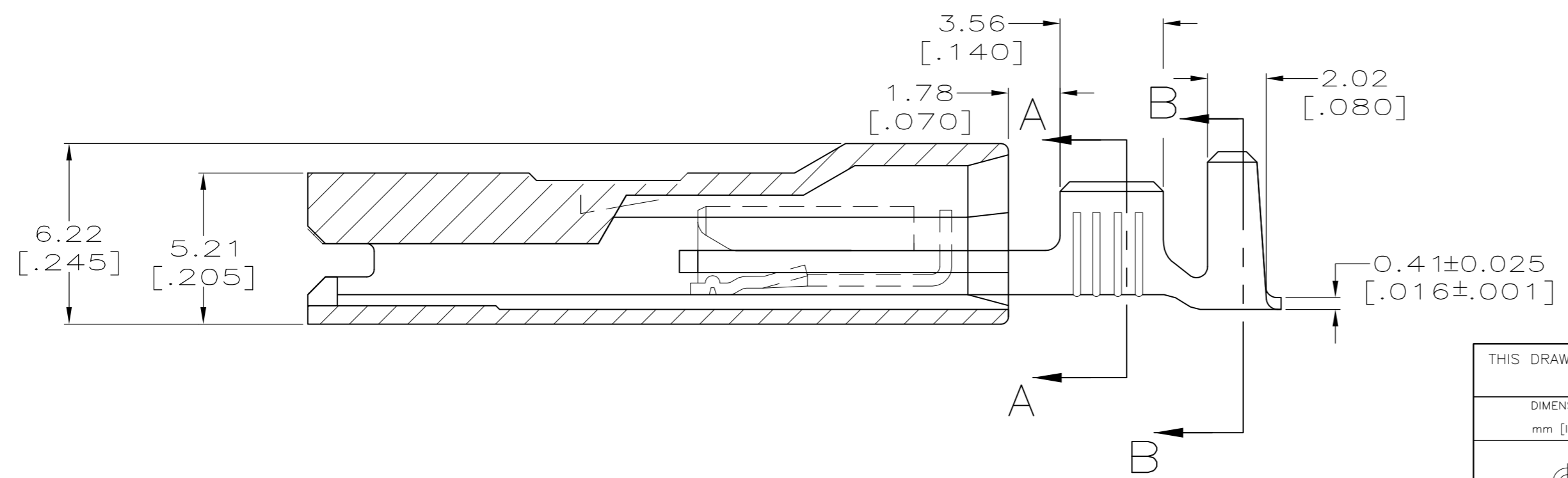
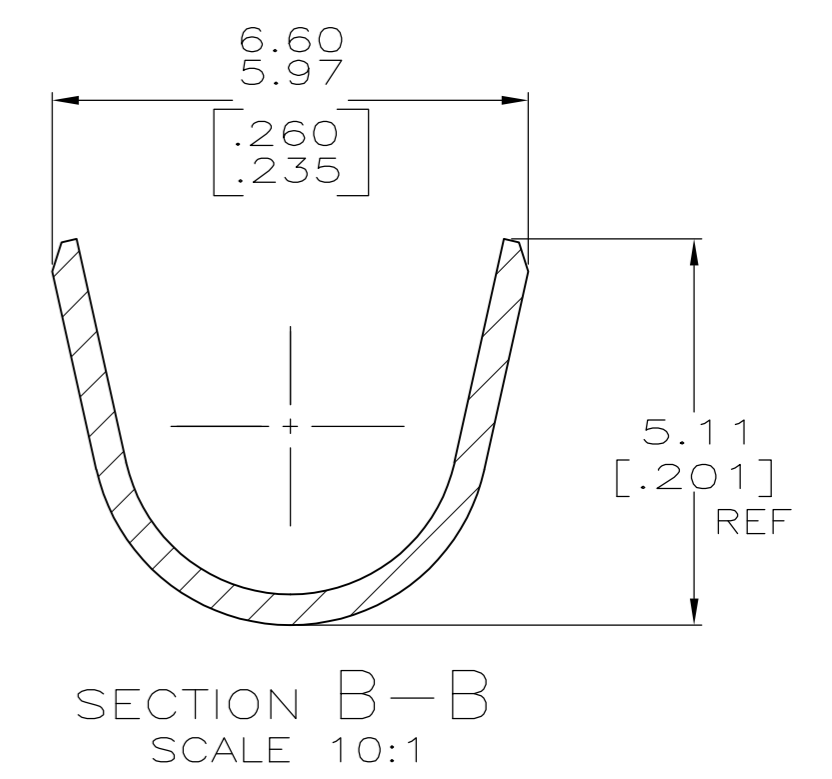
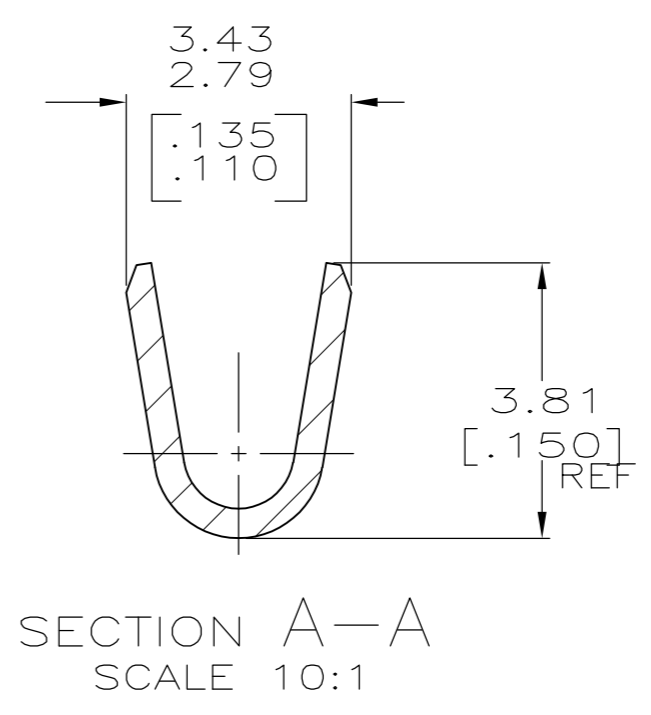
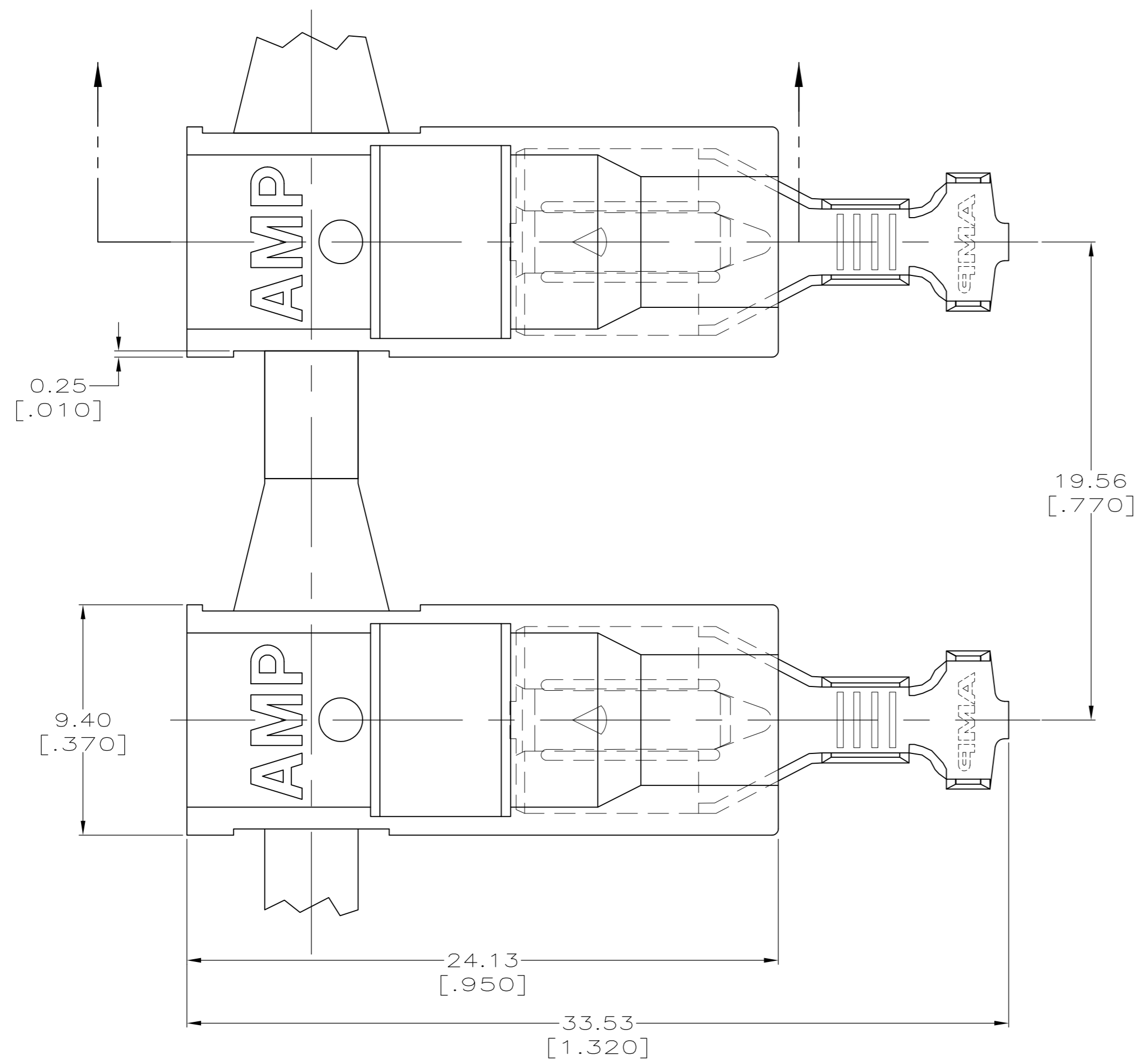
Address: A1208, Overseas Decoration Building, #122 Zhenhua RD., Futian, Shenzhen, China



THIS DRAWING IS UNPUBLISHED. RELEASED FOR PUBLICATION  
 © COPYRIGHT - By - ALL RIGHTS RESERVED.

LOC	DIST	REVISIONS			
P	LTR	DESCRIPTION	DATE	DWN	APVD
AF	50	H	REVISED PER ECR-12-013219	08JAN13	KH KR

- 1 MATING TAB THK TO BE 0.81±0.025 [.032±.001]
- 2 TIN PLATE 0.001016 [.000040] MIN THK.
- 3 WIRE SIZE IS [#18-#14] AWG.
- 4 INSULATION RANGE IS 2.79-4.57 [.110-.180] DIA.  
 2.79-3.56 [.110-.140] DIA - CRIMP WIDTH 4.57 [.180], F TYPE  
 3.56-4.57 [.140-.180] DIA - CRIMP WIDTH 4.57 [.180], O TYPE
- 5 PRELIMINARY - NOT FOR PRODUCTION



COLOR	FINISH	PART NO.
RED	2 TIN	5 521213-4
BLUE	2 TIN	5 521213-3
NATURAL	2 TIN	521213-2
NATURAL	-	521213-1

THIS DRAWING IS A CONTROLLED DOCUMENT.		DWN	JR RUTH	1APR99
DIMENSIONS: mm [INCHES]		CHK	MS FEHER	1APR99
TOLERANCES UNLESS OTHERWISE SPECIFIED:		APVD	J HUMMEL	1APR99
0 PLC	± -	PRODUCT SPEC	NAME	
1 PLC	± -	APPLICATION SPEC	ASSEMBLY, RECEPTACLE, ULTRA-POD, 6.35 [.250] SERIES	
2 PLC	± 0.25 [.010]	WEIGHT	SIZE	CAGE CODE
3 PLC	± -	FINISH	A2	00779
4 PLC	± -	MATERIAL	SCALE	DRAWING NO
ANGLES	± -	TERMINAL - SEE TABLE	5:1	C=521213
FINISH	± -	HOUSING - SEE TABLE	SHEET	1 OF 1
MATERIAL	TERMINAL - BRASS	HOUSING - 6/6 NYLON, V2	REV	H
CUSTOMER DRAWING		RESTRICTED TO		