



Chipsmall Limited consists of a professional team with an average of over 10 year of expertise in the distribution of electronic components. Based in Hongkong, we have already established firm and mutual-benefit business relationships with customers from,Europe,America and south Asia,supplying obsolete and hard-to-find components to meet their specific needs.

With the principle of "Quality Parts,Customers Priority,Honest Operation,and Considerate Service",our business mainly focus on the distribution of electronic components. Line cards we deal with include Microchip,ALPS,ROHM,Xilinx,Pulse,ON,Everlight and Freescale. Main products comprise IC,Modules,Potentiometer,IC Socket,Relay,Connector.Our parts cover such applications as commercial,industrial, and automotives areas.

We are looking forward to setting up business relationship with you and hope to provide you with the best service and solution. Let us make a better world for our industry!



Contact us

Tel: +86-755-8981 8866 Fax: +86-755-8427 6832

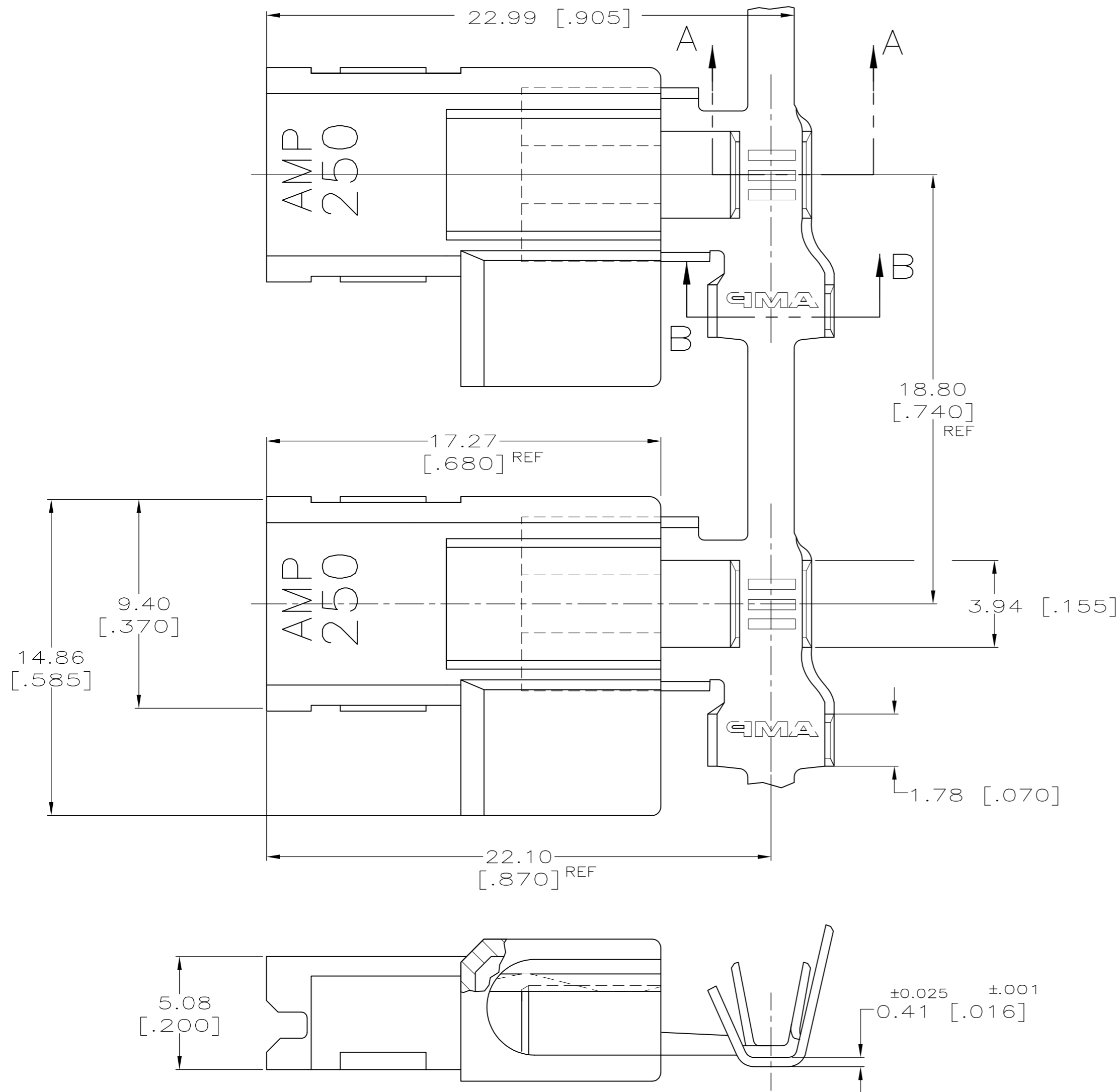
Email & Skype: info@chipsmall.com Web: www.chipsmall.com

Address: A1208, Overseas Decoration Building, #122 Zhenhua RD., Futian, Shenzhen, China

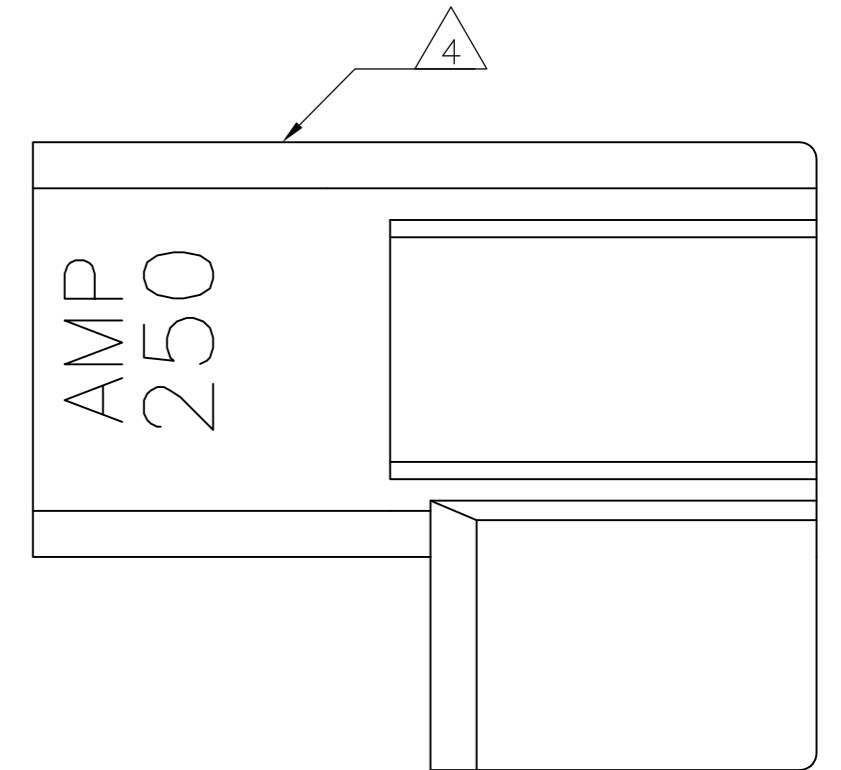
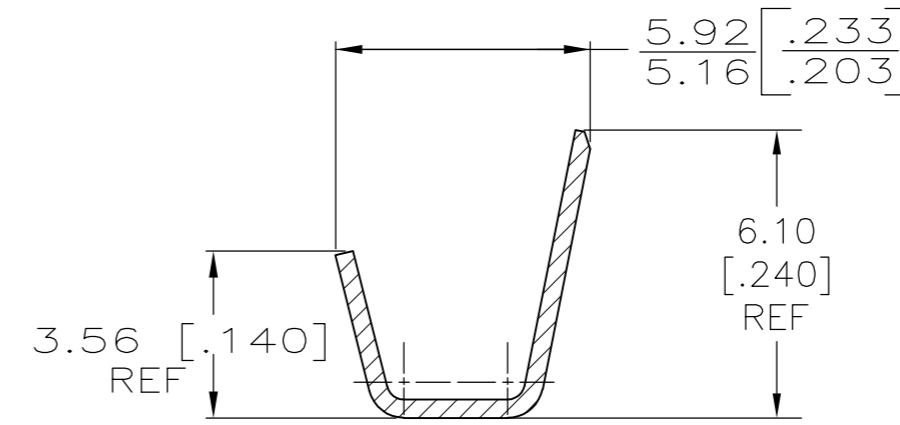
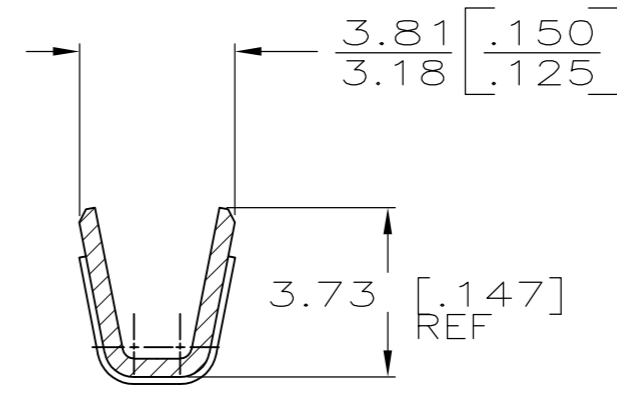


THIS DRAWING IS UNPUBLISHED. RELEASED FOR PUBLICATION
 © COPYRIGHT - By - ALL RIGHTS RESERVED.

LOC		DIST		REVISIONS			
P	LTR	DESCRIPTION		DATE	DWN	APVD	
AF	50	D3	REVISED PER ECR-12-013219		08JAN13	KH	KR



- 1 BUDGET FLAG FASTON TERMINALS, BASE P/N 63559, ARE USED IN THIS PRODUCT.
- 2 WIRE SIZE [#18-#14] AWG.
- 3 INSULATION RANGE IS 2.79-4.06 [.110-.160] DIA.
- 4 ALTERNATIVE HOUSING FORM



STANDARD	6/6 NYLON, VO / NATURAL	TIN PLATE - BRASS	521282-2
	6/6 NYLON, VO / NATURAL	PLAIN - BRASS	521282-1
PACKAGING	HOUSING MATERIAL / COLOR	TERMINAL FINISH - MATERIAL	PART NO
THIS DRAWING IS A CONTROLLED DOCUMENT.		DWN 13MAR00 JR RUTH	 TE Connectivity ASSEMBLY, RECEPTACLE, FLAG, ULTRA-POD, 6.35 [.250] SERIES
DIMENSIONS: mm [INCHES]		CHK 13MAR00 MS FEHER	
TOLERANCES UNLESS OTHERWISE SPECIFIED:		APVD 13MAR03 J HUMMEL	
0 PLC ± - 1 PLC ± - 2 PLC ± - 3 PLC ± 0.25 [.010] 4 PLC ± - ANGLES ± - FINISH SEE TABLE		PRODUCT SPEC 108-1285 APPLICATION SPEC 114-2124 WEIGHT - CUSTOMER DRAWING	
MATERIAL	SEE TABLE	SIZE A2	CAGE CODE 00779
		DRAWING NO C=521282	RESTRICTED TO -
		SCALE 6:1	SHEET 1 of 1
			REV D3