



Chipsmall Limited consists of a professional team with an average of over 10 year of expertise in the distribution of electronic components. Based in Hongkong, we have already established firm and mutual-benefit business relationships with customers from,Europe,America and south Asia,supplying obsolete and hard-to-find components to meet their specific needs.

With the principle of “Quality Parts,Customers Priority,Honest Operation,and Considerate Service”,our business mainly focus on the distribution of electronic components. Line cards we deal with include Microchip,ALPS,ROHM,Xilinx,Pulse,ON,Everlight and Freescale. Main products comprise IC,Modules,Potentiometer,IC Socket,Relay,Connector.Our parts cover such applications as commercial,industrial, and automotives areas.

We are looking forward to setting up business relationship with you and hope to provide you with the best service and solution. Let us make a better world for our industry!



## Contact us

Tel: +86-755-8981 8866 Fax: +86-755-8427 6832

Email & Skype: info@chipsmall.com Web: www.chipsmall.com

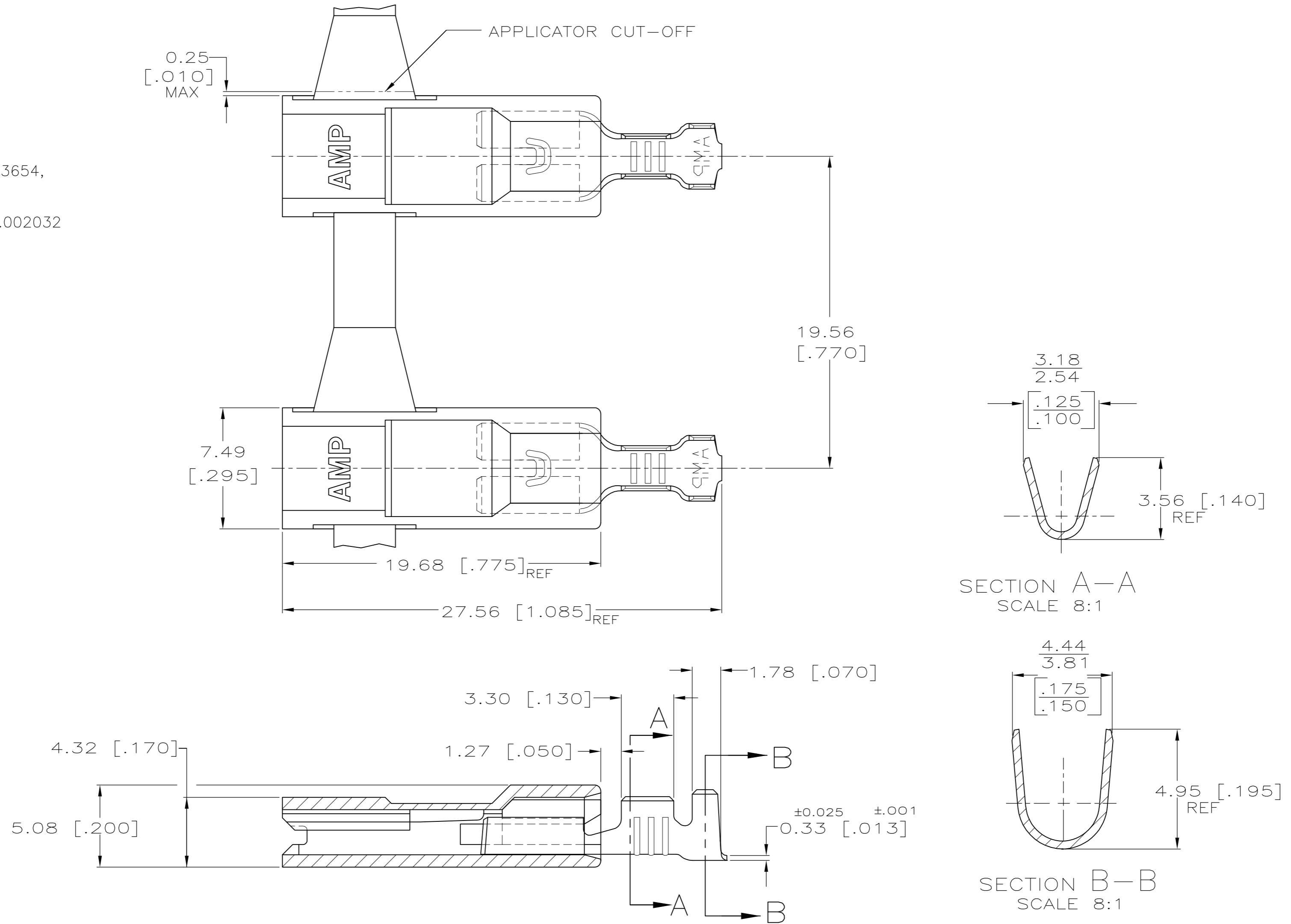
Address: A1208, Overseas Decoration Building, #122 Zhenhua RD., Futian, Shenzhen, China



THIS DRAWING IS UNPUBLISHED. RELEASED FOR PUBLICATION  
 © COPYRIGHT - By - ALL RIGHTS RESERVED.

LOC		DIST		REVISIONS			
P	LTR	DESCRIPTION	DATE	DWN	APVD		
AF	50	D		REVISED PER ECR-12-013219	08JAN13	KH	KR

- 1 FASTON TERMINALS, BASE P/N 63654, ARE USED IN THIS PRODUCT.
- 2 TIN PLATE PER MIL-T-10727, 0.002032 [.000080] MIN.



STANDARD	NATURAL	TIN $\Delta$	2.29-3.30 [.090-.130]	0.5-1.3 mm <sup>2</sup> [20-16]	0.813 [.032]	521284-2
	NATURAL	PLAIN				521284-1
PACKAGING	HOUSING COLOR	TERMINAL FINISH	INSULATION RANGE	WIRE SIZE	MATING TAB THK±0.025 [±.001]	PART NO

THIS DRAWING IS A CONTROLLED DOCUMENT.

DWN	JR RUTH	13MAR00
CHK	MS FEHER	13MAR00
APVD	J HUMMEL	13MAR00
PRODUCT SPEC	118-1285	
APPLICATION SPEC	114-2124	
WEIGHT	-	

**TE** TE Connectivity

ASSEMBLY, RECEPTACLE, ULTRA-POD, 4.8 [.187] SERIES

SIZE	CAGE CODE	DRAWING NO	RESTRICTED TO
A2	00779	C=521284	-

CUSTOMER DRAWING SCALE 5:1 SHEET 1 of 1 REV D