



Chipsmall Limited consists of a professional team with an average of over 10 year of expertise in the distribution of electronic components. Based in Hongkong, we have already established firm and mutual-benefit business relationships with customers from,Europe,America and south Asia,supplying obsolete and hard-to-find components to meet their specific needs.

With the principle of "Quality Parts,Customers Priority,Honest Operation,and Considerate Service",our business mainly focus on the distribution of electronic components. Line cards we deal with include Microchip,ALPS,ROHM,Xilinx,Pulse,ON,Everlight and Freescale. Main products comprise IC,Modules,Potentiometer,IC Socket,Relay,Connector.Our parts cover such applications as commercial,industrial, and automotives areas.

We are looking forward to setting up business relationship with you and hope to provide you with the best service and solution. Let us make a better world for our industry!



## Contact us

Tel: +86-755-8981 8866 Fax: +86-755-8427 6832

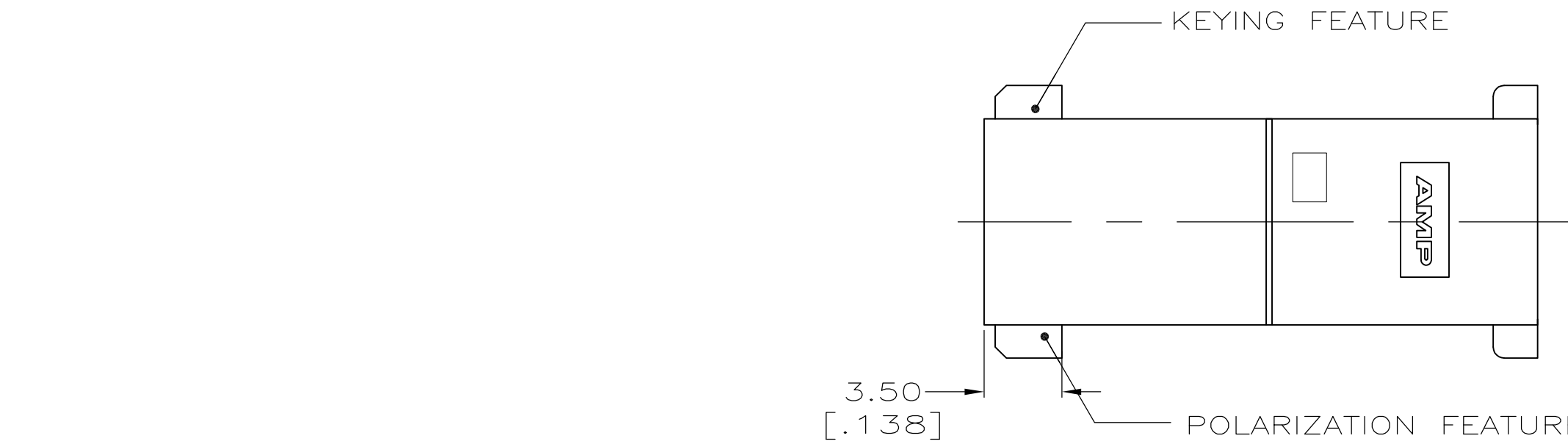
Email & Skype: info@chipsmall.com Web: www.chipsmall.com

Address: A1208, Overseas Decoration Building, #122 Zhenhua RD., Futian, Shenzhen, China

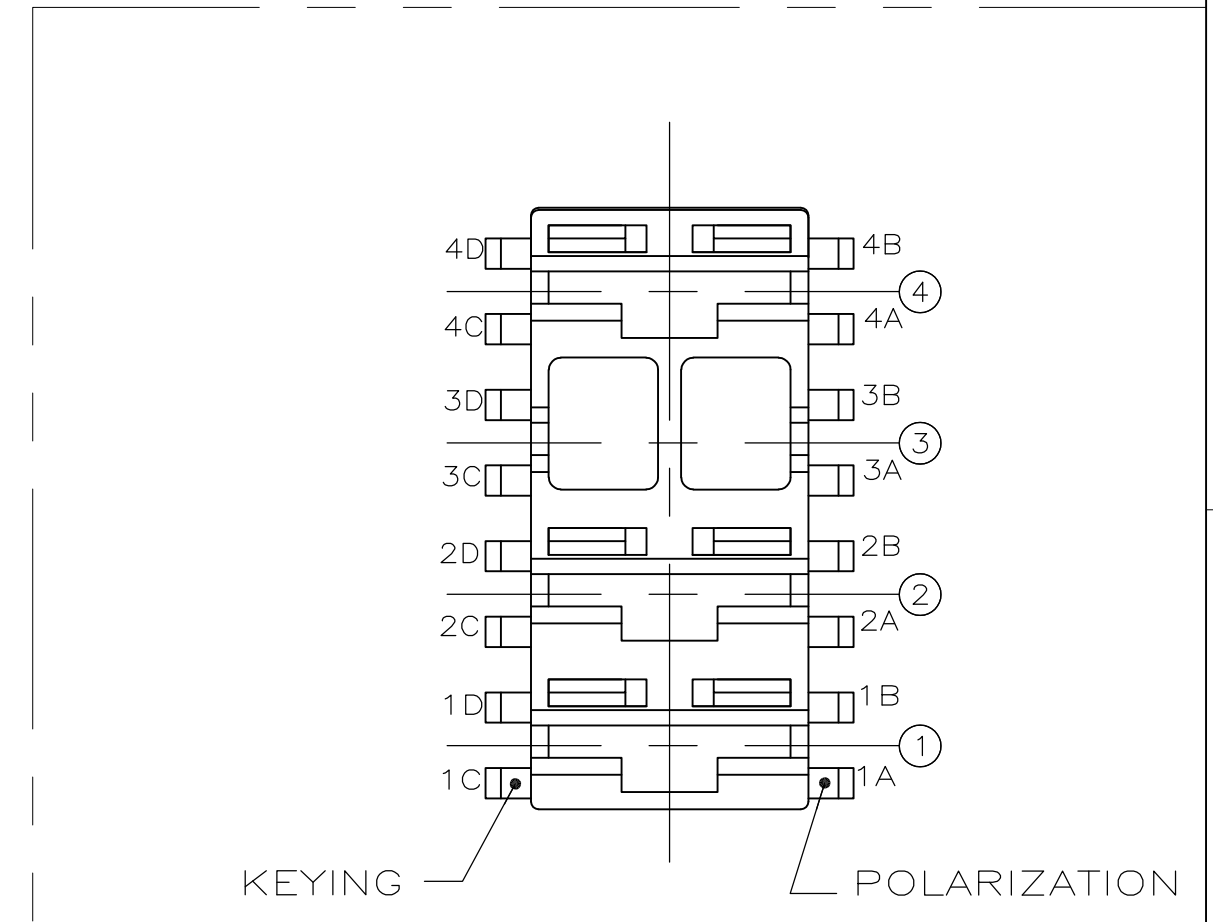
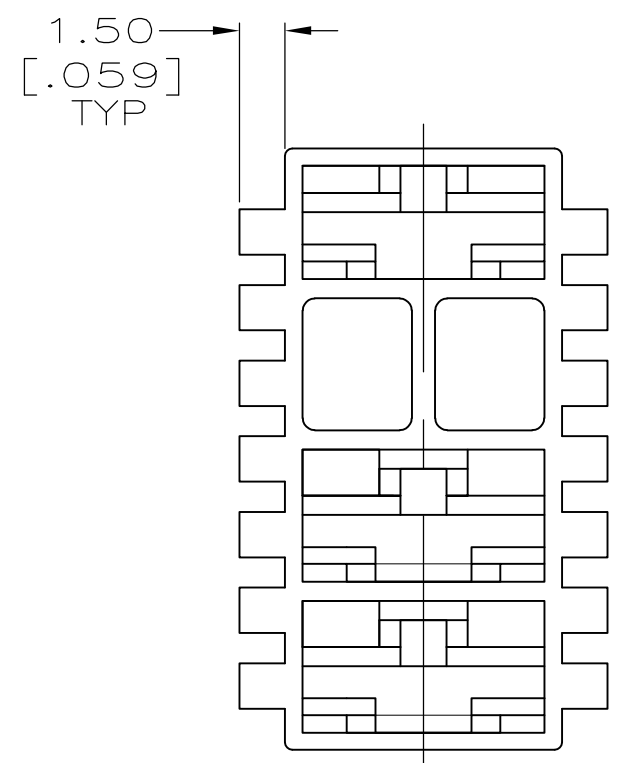
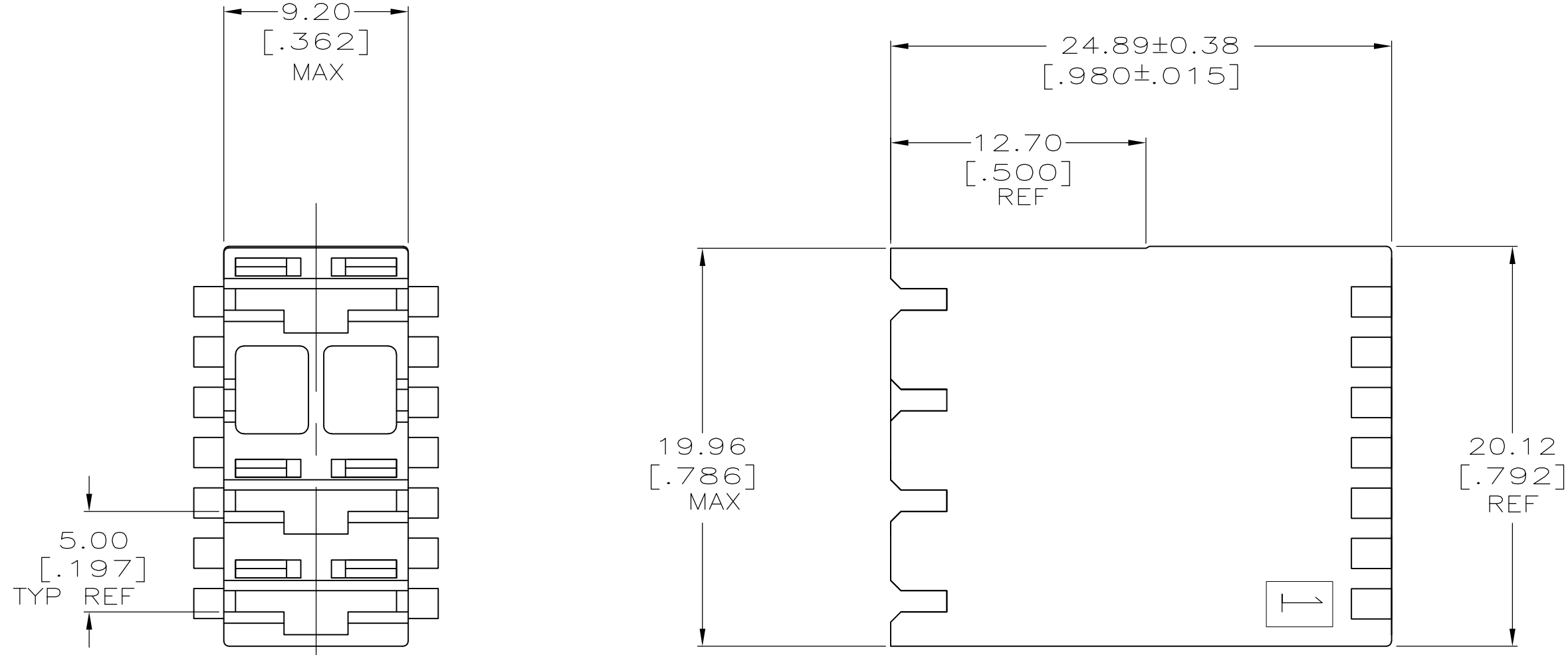


THIS DRAWING IS UNPUBLISHED. RELEASED FOR PUBLICATION  
 © COPYRIGHT - By - ALL RIGHTS RESERVED.

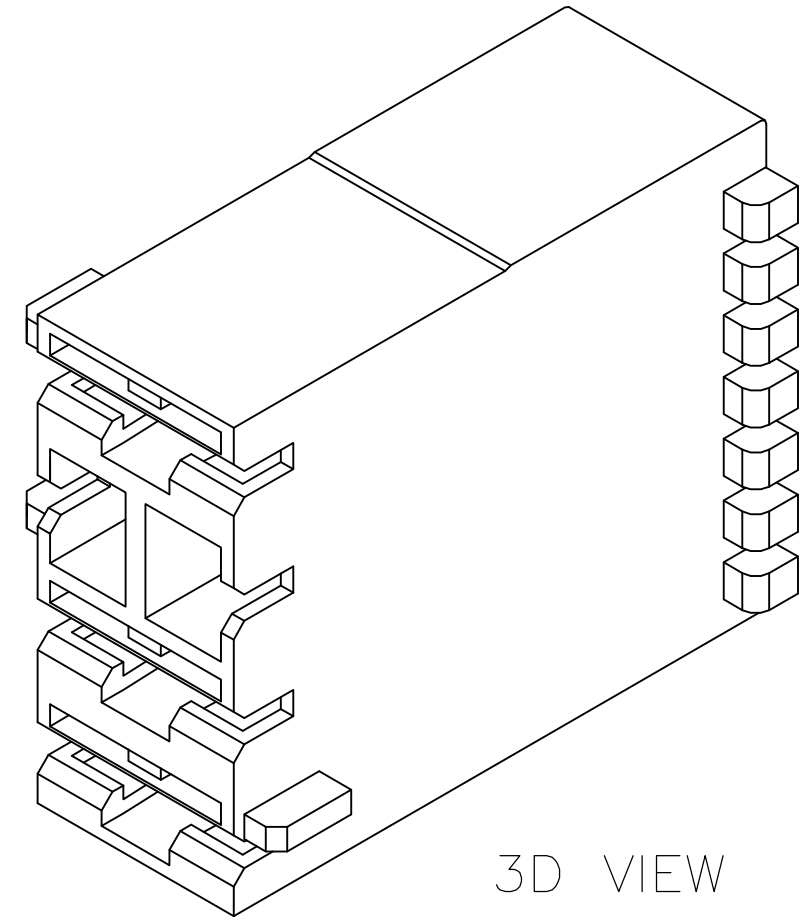
REVISIONS				
P	LTR	DESCRIPTION	DATE	APVD
J		REVISED PER ECR-16-001902	22MAR2016	BW JP



- ACCEPTS RECEPTACLE CONTACTS 1217378(#18-#22 AWG SINGLE WIRE), 1217094(#18-#14 AWG SINGLE WIRE) AND 1217095 (TWO #18'S OR TWO #16'S OR A #16 + #18 COMBINATION).
  - FRONT AND BACK VIEWS SHOW ONLY THE GRIPPERS. FOR KEYING AND POLARIZATION FEATURES, SEE SPECIAL FRONT VIEW.
  - TAB SHOULDER SLOTS OPTIONAL ON BOTH SIDES OF DUMMY CIRCUIT.
- ⚠ PRELIMINARY - NOT FOR PRODUCTION



KEYING & POLARIZATION CODING AND COMBINATIONS  
 SPECIAL FRONT VIEW



3D VIEW

OBSOLETE	---	BLUE	NONE	NONE	⚠ 521295-3-
	04-A	NATURAL	3C, 4D	1B	⚠ 521295-2
	---	BLUE	NONE	NONE	521295-1
	RAST 5 DESIGNATION	COLOR	KEYING FEATURE	POLARIZATION FEATURES	PART NO.
THIS DRAWING IS A CONTROLLED DOCUMENT.		DWN JR RUTH 14APROO	 TE Connectivity HOUSING, RECEPT, POSITIVE-LOCK, MKIII, 6.35[.250] SERIES, 4 POSITION/3 CIRCUIT		
DIMENSIONS: mm		CHK MS FEHER 14APROO			
TOLERANCES UNLESS OTHERWISE SPECIFIED:		APVD D BRATINA 14APROO			
0 PLC ± - 1 PLC ± - 2 PLC ± 0.25 [.010] 3 PLC ± - 4 PLC ± - ANGLES ± -		APPLICATION SPEC 114-2074			
MATERIAL NYLON	FINISH SEE TABLE	WEIGHT 0	SIZE A2	CAGE CODE 00779	DRAWING NO C=521295
CUSTOMER DRAWING			SCALE 4:1	SHEET 1 of 1	REV J