



Chipsmall Limited consists of a professional team with an average of over 10 year of expertise in the distribution of electronic components. Based in Hongkong, we have already established firm and mutual-benefit business relationships with customers from,Europe,America and south Asia,supplying obsolete and hard-to-find components to meet their specific needs.

With the principle of “Quality Parts,Customers Priority,Honest Operation,and Considerate Service”,our business mainly focus on the distribution of electronic components. Line cards we deal with include Microchip,ALPS,ROHM,Xilinx,Pulse,ON,Everlight and Freescale. Main products comprise IC,Modules,Potentiometer,IC Socket,Relay,Connector.Our parts cover such applications as commercial,industrial, and automotives areas.

We are looking forward to setting up business relationship with you and hope to provide you with the best service and solution. Let us make a better world for our industry!



Contact us

Tel: +86-755-8981 8866 Fax: +86-755-8427 6832

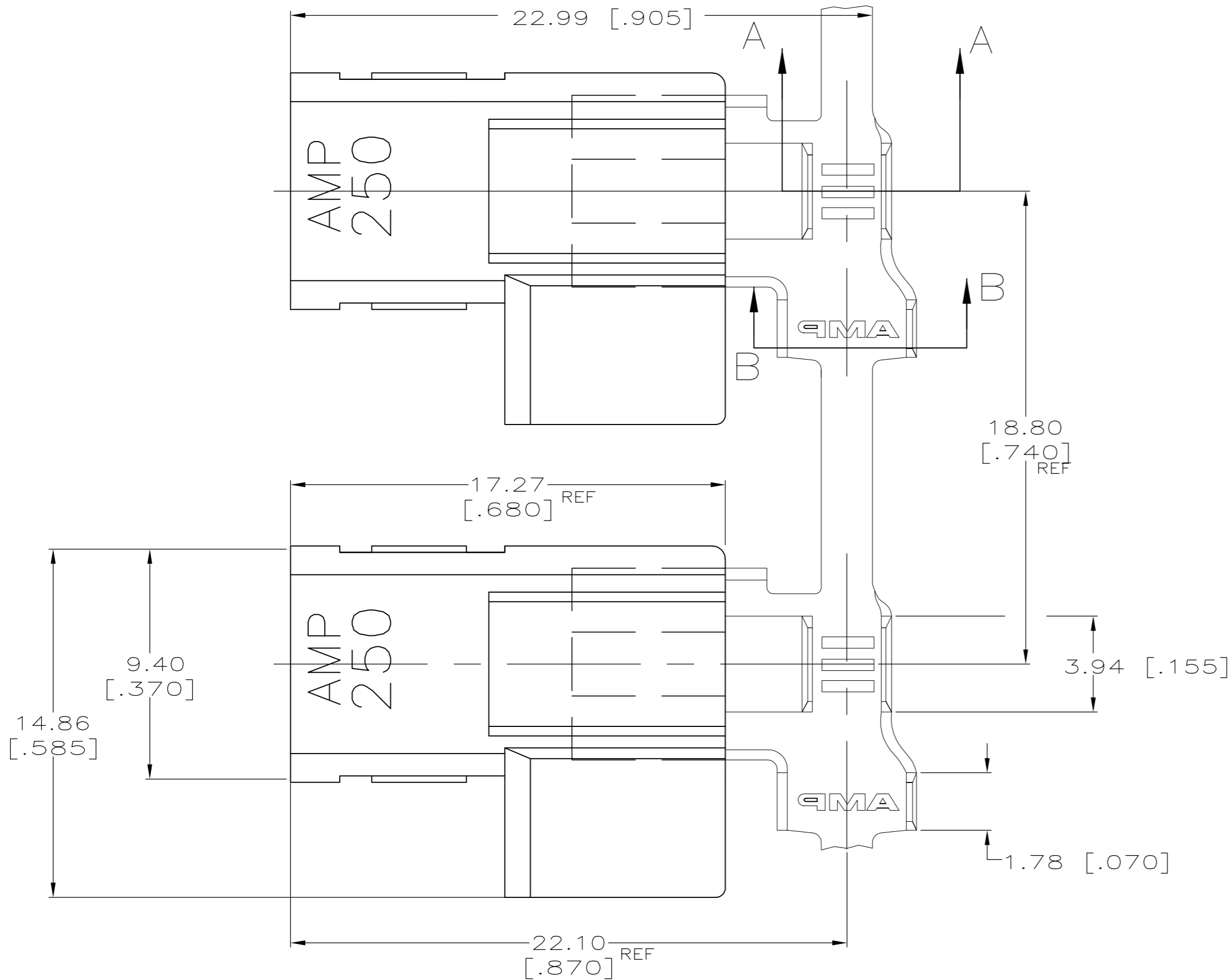
Email & Skype: info@chipsmall.com Web: www.chipsmall.com

Address: A1208, Overseas Decoration Building, #122 Zhenhua RD., Futian, Shenzhen, China

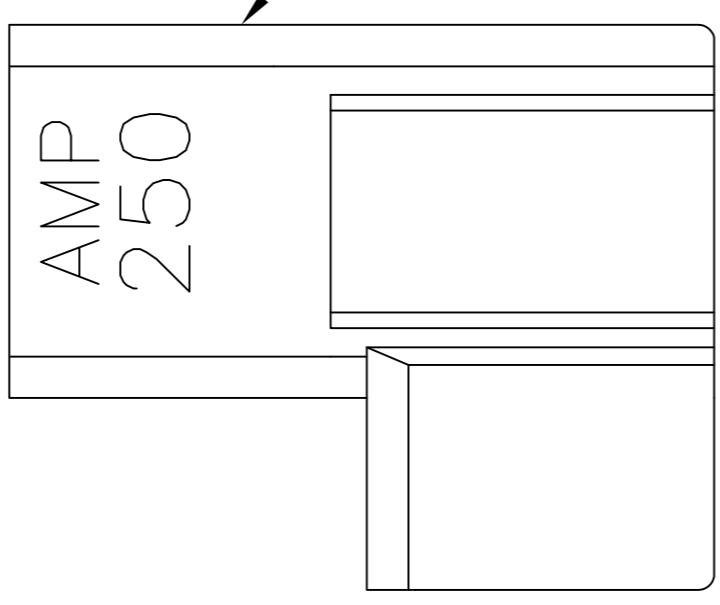
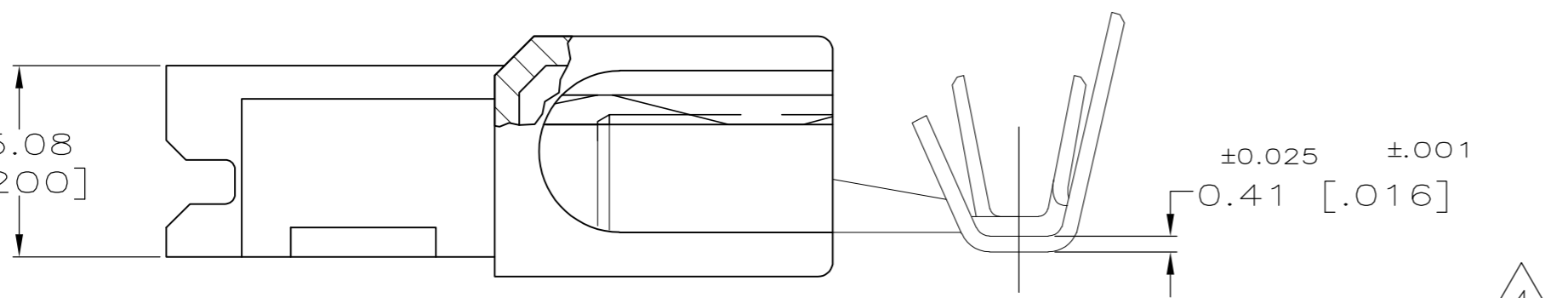
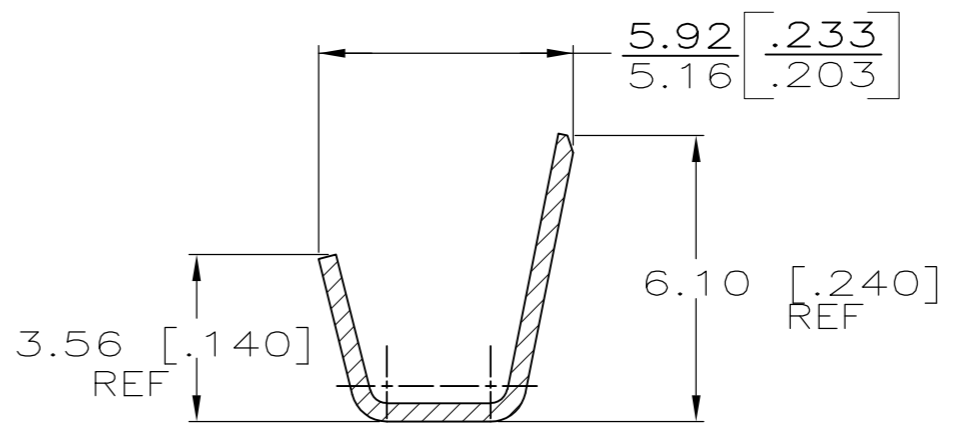
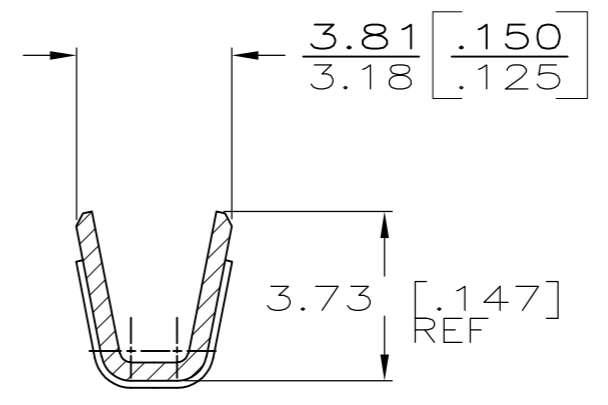


THIS DRAWING IS UNPUBLISHED. RELEASED FOR PUBLICATION
 © COPYRIGHT BY TYCO ELECTRONICS CORPORATION. ALL RIGHTS RESERVED.

LOC	DIST	REVISIONS					
AF	50	P	LTR	DESCRIPTION	DATE	DWN	APVD
		C1		REV PER ECR 10-005376	11MAR10	JR	GP



- 1 BUDGET FLAG FASTON TERMINALS, (STRESS RELIEVED) BASE P/N 63559, ARE USED IN THIS PRODUCT.
- 2 WIRE SIZE [#18-#14] AWG.
- 3 INSULATION RANGE IS 2.79-4.06 [.110-.160] DIA.
- △ ALTERNATIVE HOUSING FORM



STANDARD	6/6 NYLON / NATURAL	TIN PLATE - 4M HARD BRASS	521347-2
	6/6 NYLON / NATURAL	PLAIN - 4M HARD BRASS	521347-1
PACKAGING	HOUSING MATERIAL / COLOR	TERMINAL FINISH - MATERIAL	PART NO
THIS DRAWING IS A CONTROLLED DOCUMENT.		DWN 22AUG00 JR RUTH	Tyco Electronics Corporation Harrisburg, PA 17105
		CHK 22AUG00 MS FEHER	
DIMENSIONS: INCHES		APVD 22AUG00 J HUMMEL	NAME ASSEMBLY, RECEPTACLE, FLAG, ULTRA-POD, 6.35 [.250] SERIES
TOLERANCES UNLESS OTHERWISE SPECIFIED:		PRODUCT SPEC 108-1285	
0 PLC ± -		APPLICATION SPEC 114-2124	SIZE A2
1 PLC ± -		WEIGHT -	CAGE CODE 00779
2 PLC ± -		FINISH SEE TABLE	DRAWING NO C=521347
3 PLC ± 0.25 [.010]			RESTRICTED TO -
4 PLC ± -		CUSTOMER DRAWING	
ANGLES ± -		SCALE 6:1	SHEET 1 OF 1
FINISH SEE TABLE		REV C1	