



Chipsmall Limited consists of a professional team with an average of over 10 year of expertise in the distribution of electronic components. Based in Hongkong, we have already established firm and mutual-benefit business relationships with customers from,Europe,America and south Asia,supplying obsolete and hard-to-find components to meet their specific needs.

With the principle of “Quality Parts,Customers Priority,Honest Operation,and Considerate Service”,our business mainly focus on the distribution of electronic components. Line cards we deal with include Microchip,ALPS,ROHM,Xilinx,Pulse,ON,Everlight and Freescale. Main products comprise IC,Modules,Potentiometer,IC Socket,Relay,Connector.Our parts cover such applications as commercial,industrial, and automotives areas.

We are looking forward to setting up business relationship with you and hope to provide you with the best service and solution. Let us make a better world for our industry!



Contact us

Tel: +86-755-8981 8866 Fax: +86-755-8427 6832

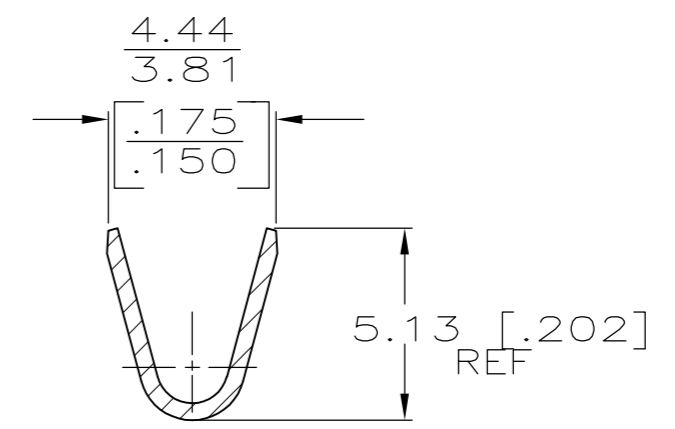
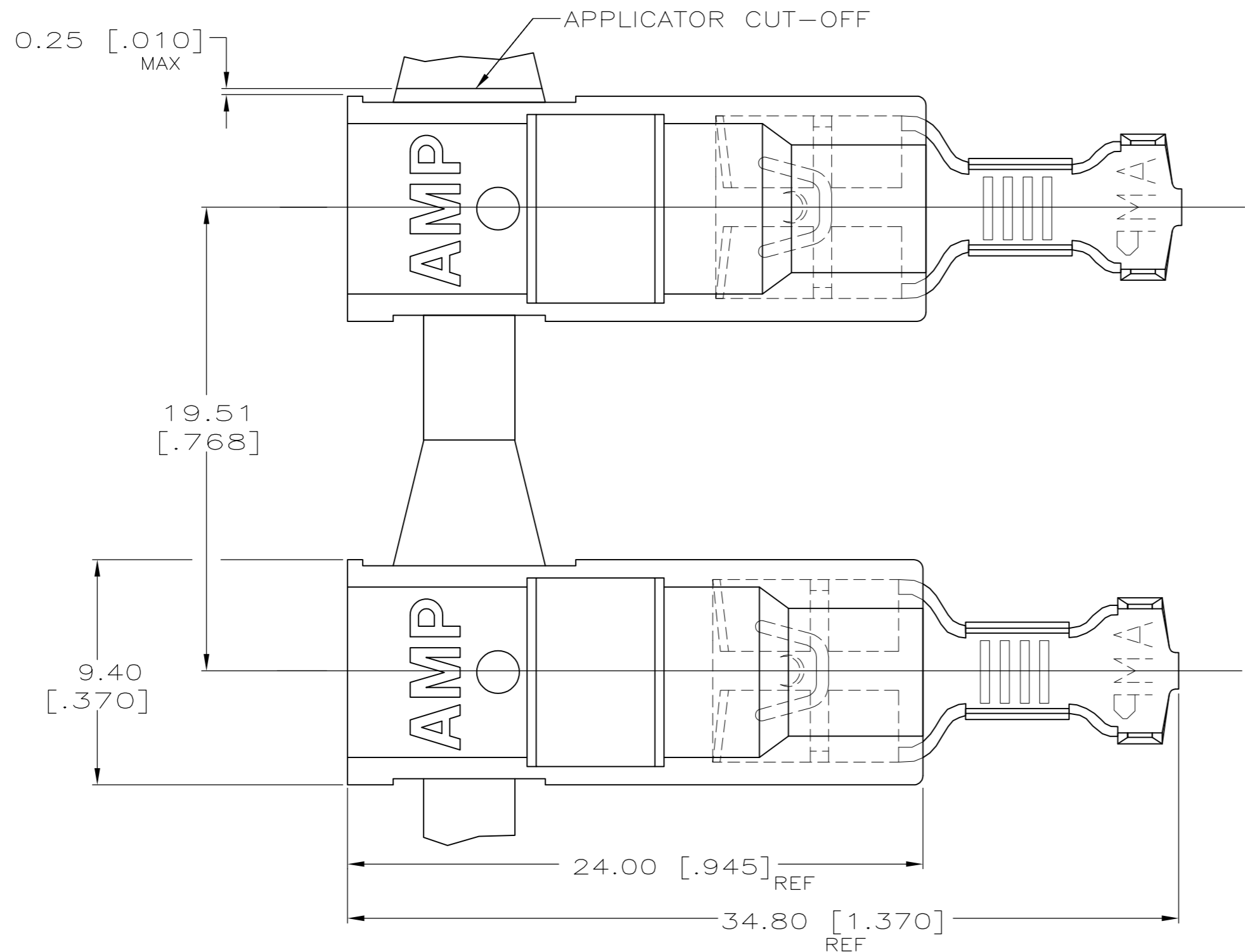
Email & Skype: info@chipsmall.com Web: www.chipsmall.com

Address: A1208, Overseas Decoration Building, #122 Zhenhua RD., Futian, Shenzhen, China

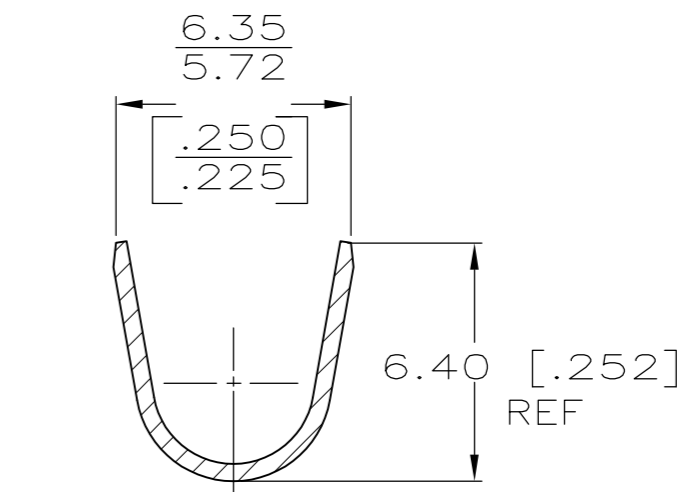
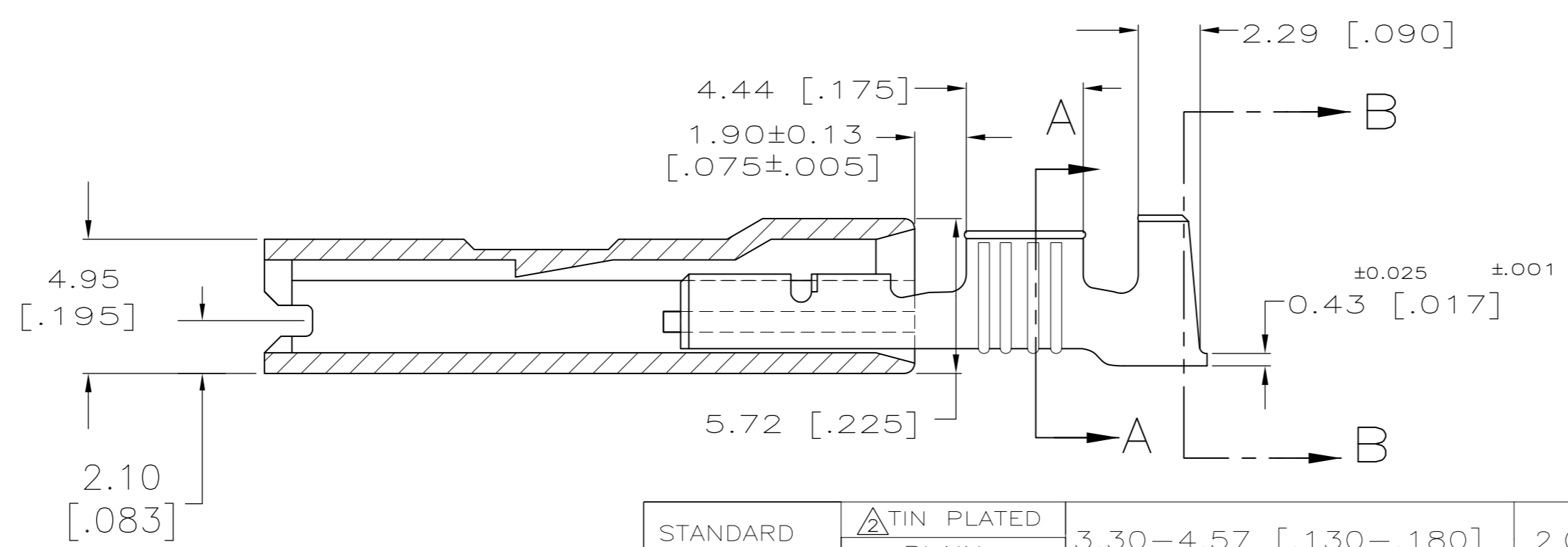


THIS DRAWING IS UNPUBLISHED. RELEASED FOR PUBLICATION
 © COPYRIGHT - By - ALL RIGHTS RESERVED.

LOC		DIST		REVISIONS			
P	LTR	DESCRIPTION		DATE	DWN	APVD	
AF	50	A2	REVISED PER ECR-12-013219		08JAN13	KH	KR



SECTION A-A



SECTION B-B

STANDARD	TIN PLATED PLAIN	3.30-4.57 [.130-.180]	2.0-5.0 mm [14-10]	0.813 [.032]	521366-2
PACKAGING	TERMINAL FINISH	INSULATION RANGE	WIRE SIZE	MATING TAB THK ± 0.025 [±.001]	PART NO 521366-1

- 1 LOW-INSERTION FASTON TERMINALS, BASE P/N 63639, ARE USED IN THIS PRODUCT.
- 2 0.002032 [.000080] MIN TIN

THIS DRAWING IS A CONTROLLED DOCUMENT.

DIMENSIONS: mm [INCHES]	TOLERANCES UNLESS OTHERWISE SPECIFIED:	DWN JR RUTH 22NOV00	 TE Connectivity ASSEMBLY, RECEPTACLE, ULTRA-POD, 6.35 [.250] SERIES
	0 PLC ± -	CHK MS FEHER 22NOV00	
	1 PLC ± -	APVD J HUMMEL 22NOV00	
	2 PLC ± -	PRODUCT SPEC 108-1285	
	3 PLC ± 0.25 [.010]	APPLICATION SPEC 114-2124	SIZE A2
	4 PLC ± -	WEIGHT -	CAGE CODE 00779
	ANGLES ± -	CUSTOMER DRAWING	DRAWING NO C=521366
MATERIAL HSG - 6/6 V0 NYLON TERMINAL - BRASS	FINISH HOUSING - NATURAL TERMINAL - SEE TABLE	SCALE 5:1	RESTRICTED TO -
		SHEET 1 of 1	REV A2