



Chipsmall Limited consists of a professional team with an average of over 10 year of expertise in the distribution of electronic components. Based in Hongkong, we have already established firm and mutual-benefit business relationships with customers from,Europe,America and south Asia,supplying obsolete and hard-to-find components to meet their specific needs.

With the principle of “Quality Parts,Customers Priority,Honest Operation,and Considerate Service”,our business mainly focus on the distribution of electronic components. Line cards we deal with include Microchip,ALPS,ROHM,Xilinx,Pulse,ON,Everlight and Freescale. Main products comprise IC,Modules,Potentiometer,IC Socket,Relay,Connector.Our parts cover such applications as commercial,industrial, and automotives areas.

We are looking forward to setting up business relationship with you and hope to provide you with the best service and solution. Let us make a better world for our industry!



Contact us

Tel: +86-755-8981 8866 Fax: +86-755-8427 6832

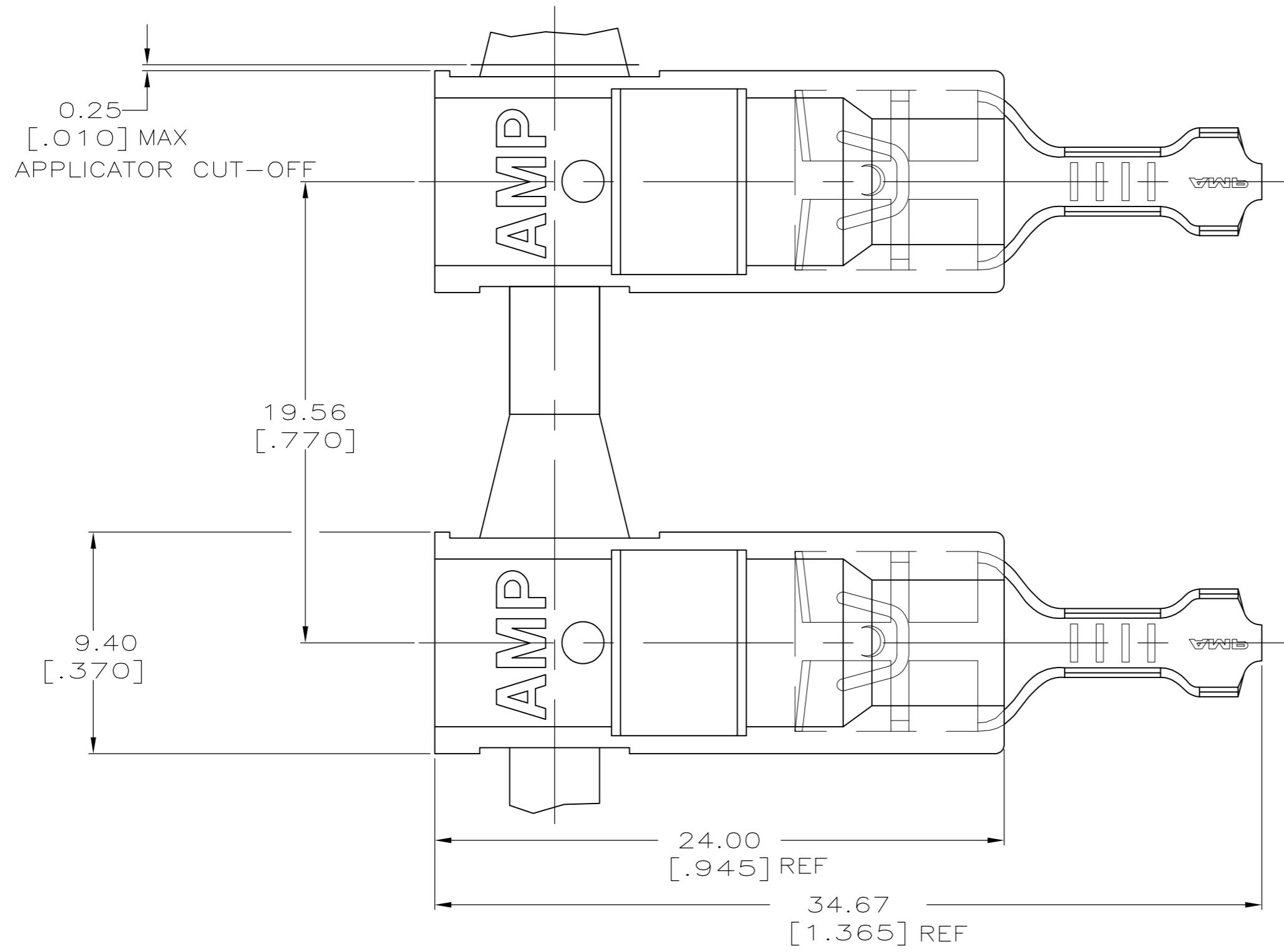
Email & Skype: info@chipsmall.com Web: www.chipsmall.com

Address: A1208, Overseas Decoration Building, #122 Zhenhua RD., Futian, Shenzhen, China

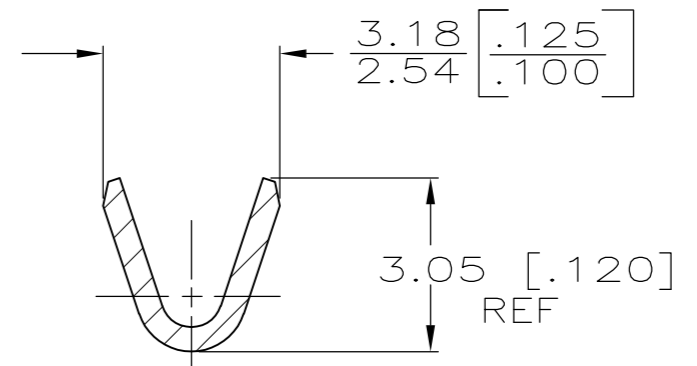


THIS DRAWING IS UNPUBLISHED. RELEASED FOR PUBLICATION
 © COPYRIGHT - By - ALL RIGHTS RESERVED.

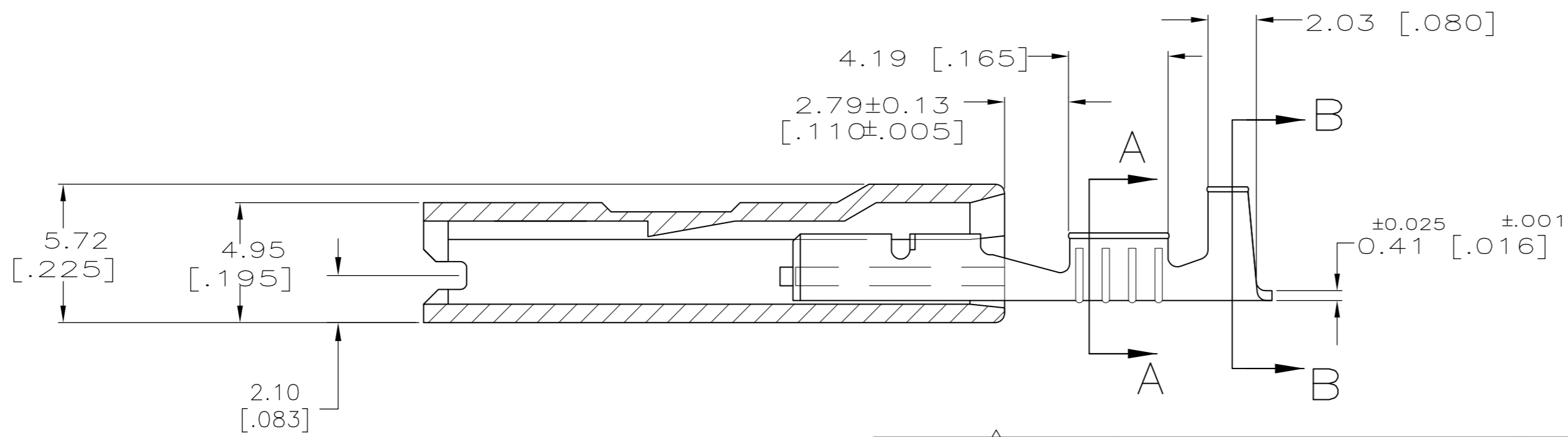
LOC		DIST		REVISIONS			
P	LTR	DESCRIPTION		DATE	DWN	APVD	
AF	50	A2	REVISED PER ECR-12-013219		08JAN13	KH	KR



- 1 0.002032 [.000080] MIN TIN
- 2 LOW-INSERTION FASTON TERMINALS, BASE PART NUMBER 63609, ARE USED IN THIS PRODUCT.



SECTION A-A
SCALE 8:1



SECTION B-B
SCALE 8:1

1 PLAIN	2.29-3.30 [.090-.130]	0.3-0.8 mm ² [22-18]	0.81 [.032]	521368-2
TERMINAL FINISH	INSULATION RANGE	WIRE SIZE	MATING TAB THK ±0.025 [±.001]	521368-1
			PART NO	

THIS DRAWING IS A CONTROLLED DOCUMENT.		DWN	JR RUTH	15JAN01	 TE Connectivity
DIMENSIONS: mm [INCHES]		CHK	MS FEHER	15JAN01	
TOLERANCES UNLESS OTHERWISE SPECIFIED:		APVD	J HUMMEL	15JAN01	
0 PLC ± - 1 PLC ± - 2 PLC ± 0.25 [.010] 3 PLC ± - 4 PLC ± - ANGLES ± -		PRODUCT SPEC	108-1285		
MATERIAL		APPLICATION SPEC	114-2124		NAME
TERMINAL - BRASS		FINISH	TERMINAL - SEE TABLE		SIZE
HOUSING - 6/6 VO NYLON		TERMINAL - SEE TABLE	HOUSING - NATURAL		CAGE CODE
		HOUSING - NATURAL			DRAWING NO
					A2 00779
					SCALE 5:1
					SHEET 1 of 1
					REV A2