



Chipsmall Limited consists of a professional team with an average of over 10 year of expertise in the distribution of electronic components. Based in Hongkong, we have already established firm and mutual-benefit business relationships with customers from,Europe,America and south Asia,supplying obsolete and hard-to-find components to meet their specific needs.

With the principle of "Quality Parts,Customers Priority,Honest Operation,and Considerate Service",our business mainly focus on the distribution of electronic components. Line cards we deal with include Microchip,ALPS,ROHM,Xilinx,Pulse,ON,Everlight and Freescale. Main products comprise IC,Modules,Potentiometer,IC Socket,Relay,Connector.Our parts cover such applications as commercial,industrial, and automotives areas.

We are looking forward to setting up business relationship with you and hope to provide you with the best service and solution. Let us make a better world for our industry!



## Contact us

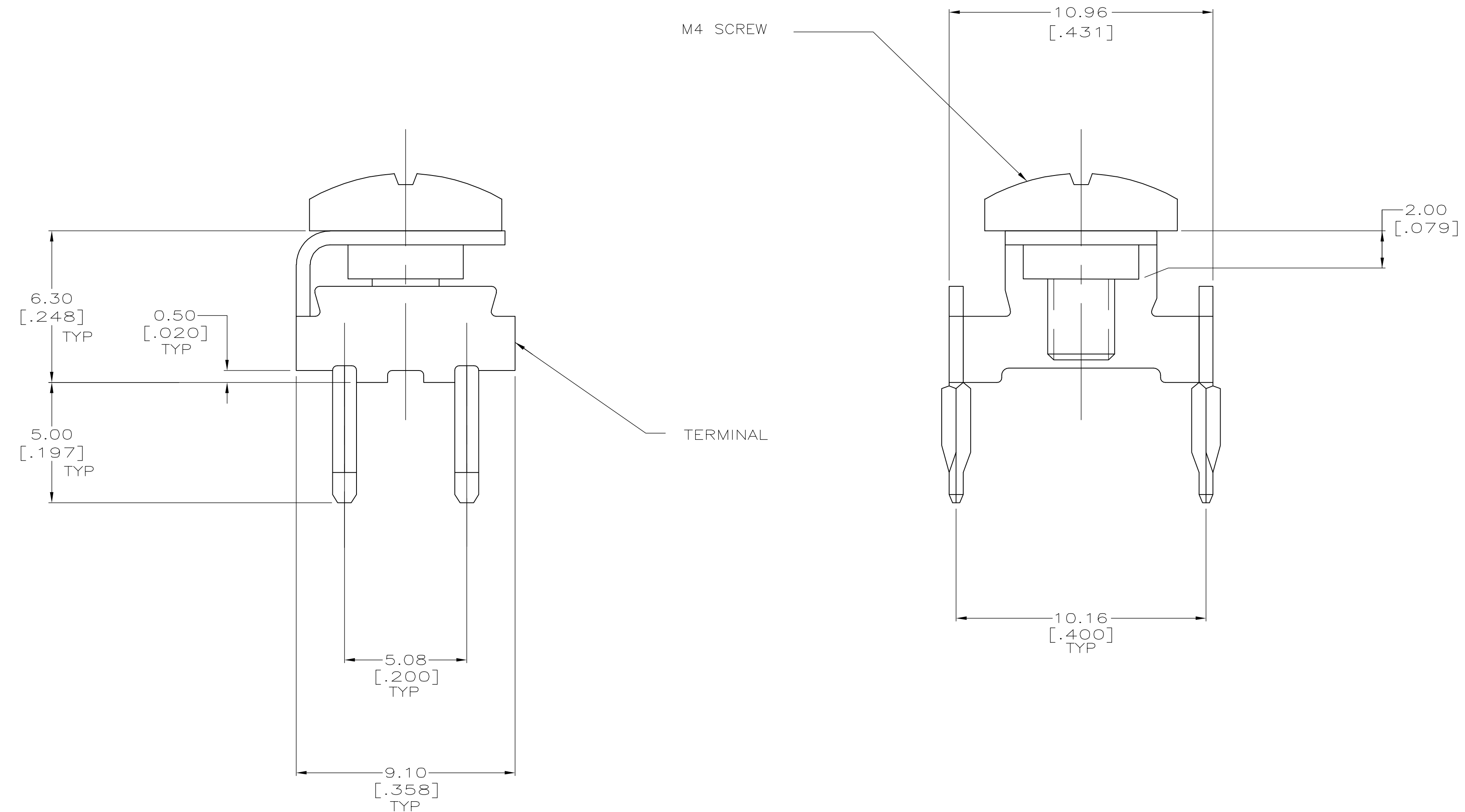
Tel: +86-755-8981 8866 Fax: +86-755-8427 6832

Email & Skype: info@chipsmall.com Web: www.chipsmall.com

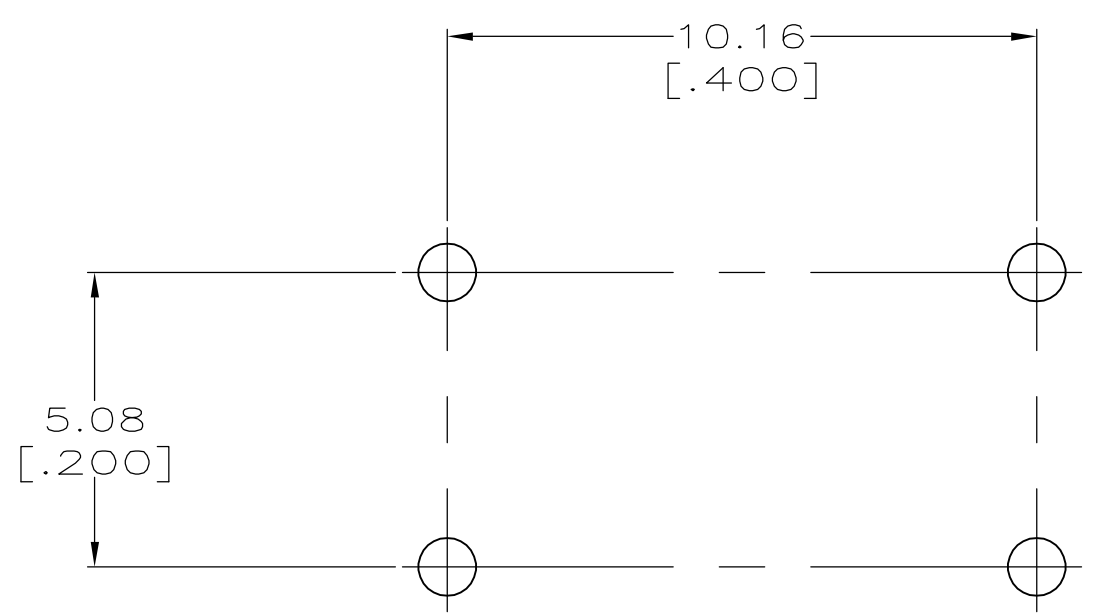
Address: A1208, Overseas Decoration Building, #122 Zhenhua RD., Futian, Shenzhen, China



LOC		DIST		REVISIONS			
P	LTR	DESCRIPTION	DATE	DWN	APPD		
A		REV PER EC 0512-0573-04	05-05-05	JA	SF		



- △ TERMINAL: PHOSPHOR BRONZE; SCREW: STAINLESS STEEL.
- △ 2.54μm [.000100] MIN MATTE TIN OVER 1.25μm [.000050] MIN NICKEL.
- △ PASSIVATED.



RECOMMENDED P.C. BOARD LAYOUT

PLATED THROUGH HOLE SPECIFICATION		THIS DRAWING IS A CONTROLLED DOCUMENT.		FINISH		5213815-1 PART NUMBER	
DRILLED HOLE	1.6±0.025	DWN	J. ALCORTA - DOCK5	05-05-05	Tyco Electronics Corporation		
Cu- THICKNESS	25-75 μm	CHK	A. FRANTUM	05-05-05	Harrisburg, PA 17105-3608		
Sn- THICKNESS	4-10 μm	APVD	S. FLICKINGER	05-05-05	POWER TAP ASSY, 4 POSN		
FINISHED HOLE	1.39-1.54	TOLERANCES UNLESS OTHERWISE SPECIFIED:		APPLICATION SPEC			
FINISHED HOLE (AFTER REFLOW)	1.36-1.54	0 PLC	± -	WEIGHT			
		1 PLC	± -	A1 00779 C=5213815			
		2 PLC	± 0.13 [.005]	SCALE 8:1 SHEET 1 OF 1 REV A			
		3 PLC	± -	CUSTOMER DRAWING			
		4 PLC	± -				
		ANGLES	± -				