



Chipsmall Limited consists of a professional team with an average of over 10 year of expertise in the distribution of electronic components. Based in Hongkong, we have already established firm and mutual-benefit business relationships with customers from,Europe,America and south Asia,supplying obsolete and hard-to-find components to meet their specific needs.

With the principle of “Quality Parts,Customers Priority,Honest Operation,and Considerate Service”,our business mainly focus on the distribution of electronic components. Line cards we deal with include Microchip,ALPS,ROHM,Xilinx,Pulse,ON,Everlight and Freescale. Main products comprise IC,Modules,Potentiometer,IC Socket,Relay,Connector.Our parts cover such applications as commercial,industrial, and automotives areas.

We are looking forward to setting up business relationship with you and hope to provide you with the best service and solution. Let us make a better world for our industry!



## Contact us

Tel: +86-755-8981 8866 Fax: +86-755-8427 6832

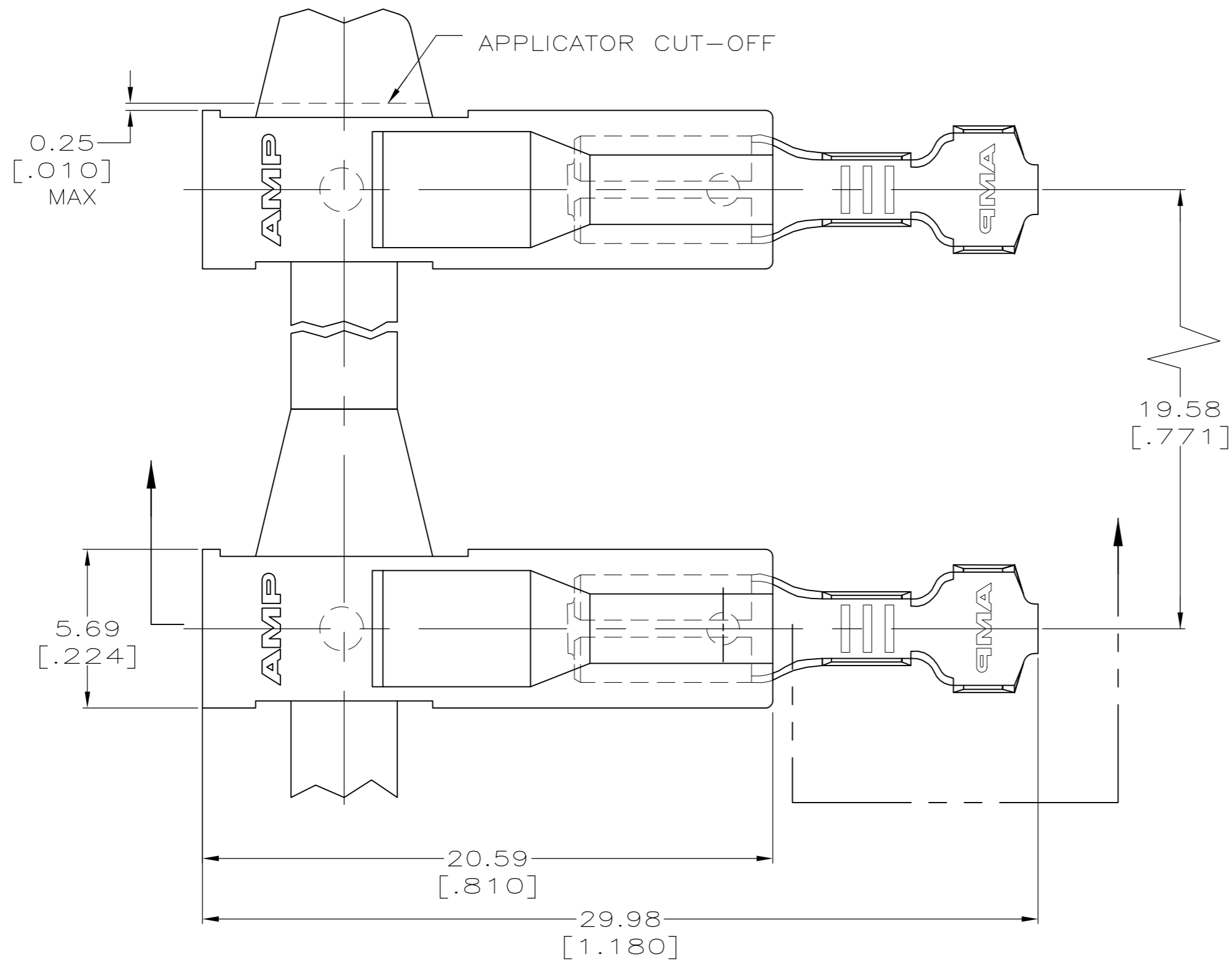
Email & Skype: info@chipsmall.com Web: www.chipsmall.com

Address: A1208, Overseas Decoration Building, #122 Zhenhua RD., Futian, Shenzhen, China

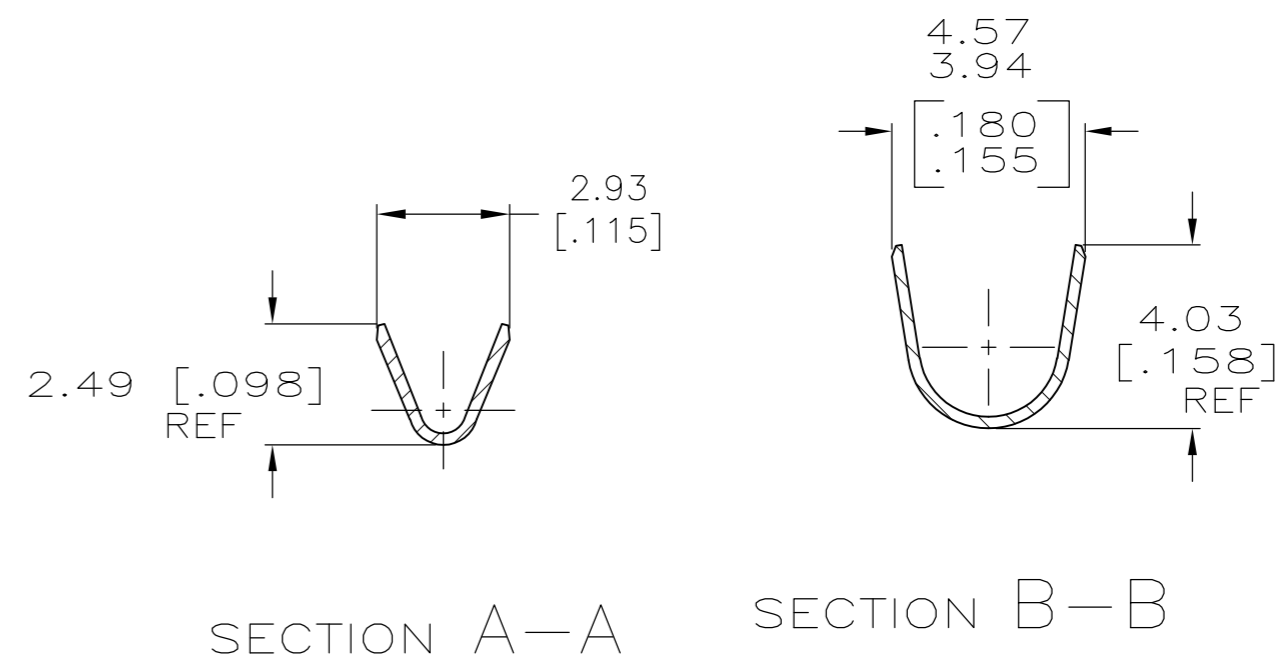
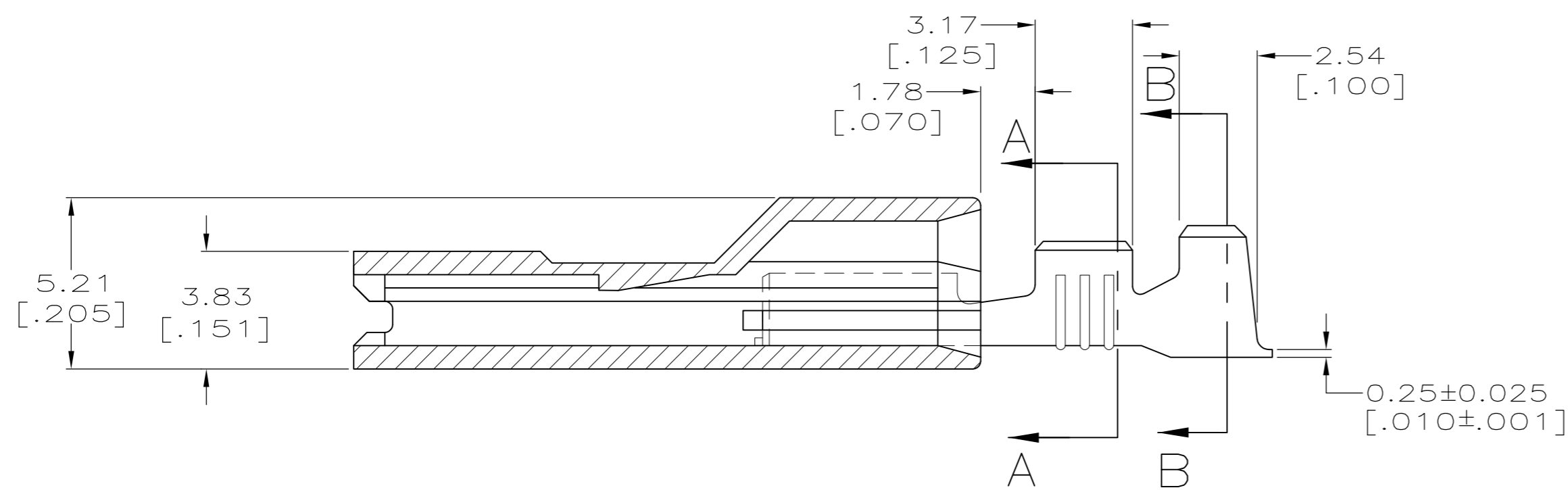


THIS DRAWING IS UNPUBLISHED. RELEASED FOR PUBLICATION  
 © COPYRIGHT - By - ALL RIGHTS RESERVED.

LOC		DIST		REVISIONS			
P	LTR	DESCRIPTION		DATE	DWN	APVD	
AF	50	F		REVISED PER ECR-12-013219	08JAN13	KH	KR



- 1 MATING TAB THK IS 0.51±0.025[.020±.001]
- 2 WIRE SIZE IS [#22-#18] AWG.
- 3 INSULATION RANGE IS 2.03-3.05[.080-.120] DIA.
- △4 MATERIAL - TERMINAL - BRASS  
HOUSING - 6/6 NYLON
- △5 FINISH - TERMINAL - SEE TABLE  
HOUSING - BLACK
- △6 PREPRODUCTION - FASR REQ



0.001016 [.000040] MIN TIN		△6 521408-2	
TERMINAL FINISH		△5 PART NO.	
DWN JR RUTH 16MAY01		<b>TE</b> TE Connectivity	
CHK MS FEHER 16MAY01			
APVD J HUMMEL 16MAY01		NAME	
PRODUCT SPEC		ASSEMBLY, RECEPTACLE, ULTRA-POD, 2.79 [.110] SERIES	
APPLICATION SPEC		SIZE	RESTRICTED TO
114-2124		A2	-
WEIGHT -		CAGE CODE	DRAWING NO
MATERIAL △4		00779	521408
FINISH △5		SCALE	SHEET
CUSTOMER DRAWING		5:1	1 of 1
		REV	F