

Chipsmall Limited consists of a professional team with an average of over 10 year of expertise in the distribution of electronic components. Based in Hongkong, we have already established firm and mutual-benefit business relationships with customers from,Europe,America and south Asia,supplying obsolete and hard-to-find components to meet their specific needs.

With the principle of “Quality Parts,Customers Priority,Honest Operation,and Considerate Service”,our business mainly focus on the distribution of electronic components. Line cards we deal with include Microchip,ALPS,ROHM,Xilinx,Pulse,ON,Everlight and Freescale. Main products comprise IC,Modules,Potentiometer,IC Socket,Relay,Connector.Our parts cover such applications as commercial,industrial, and automotives areas.

We are looking forward to setting up business relationship with you and hope to provide you with the best service and solution. Let us make a better world for our industry!



Contact us

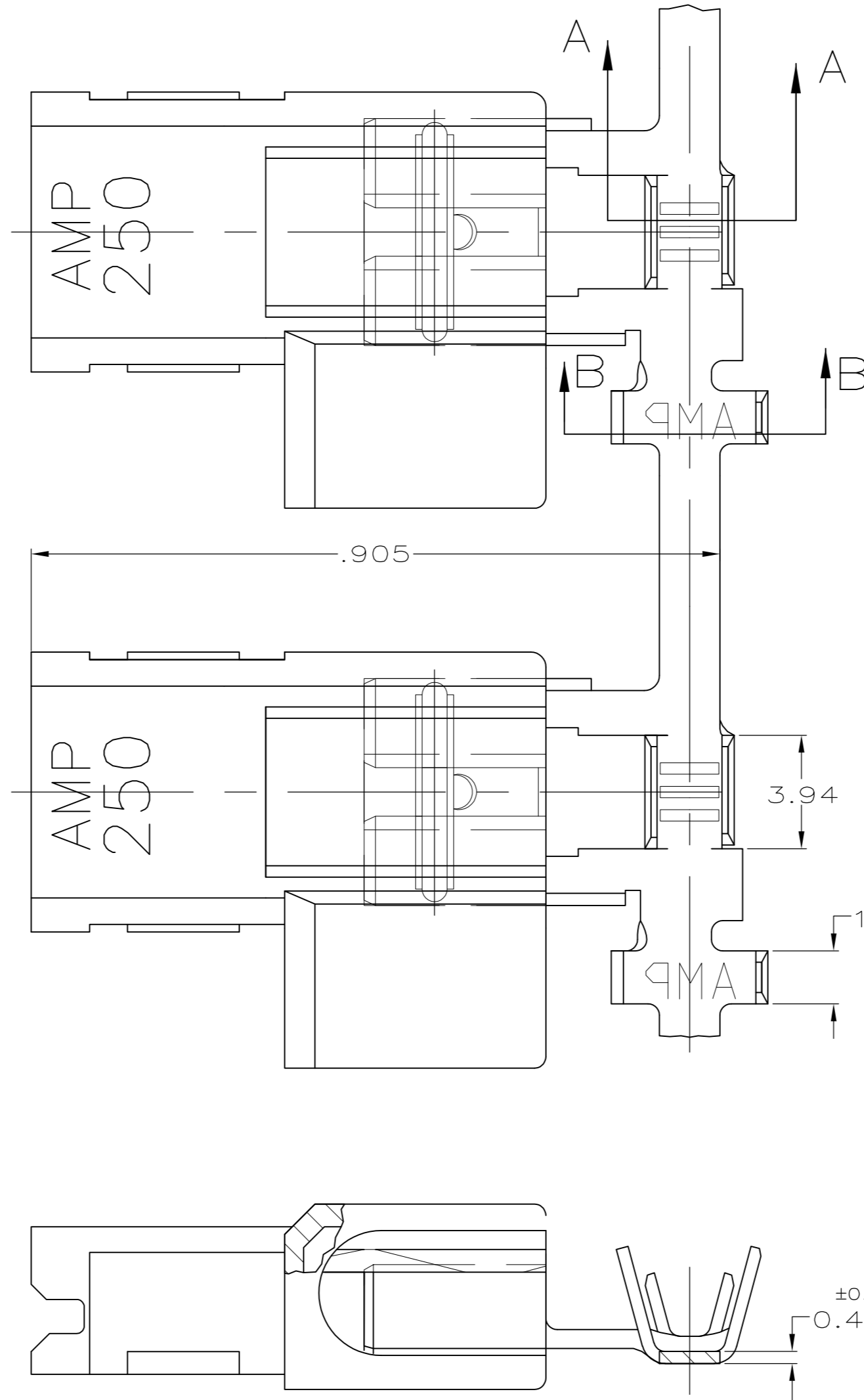
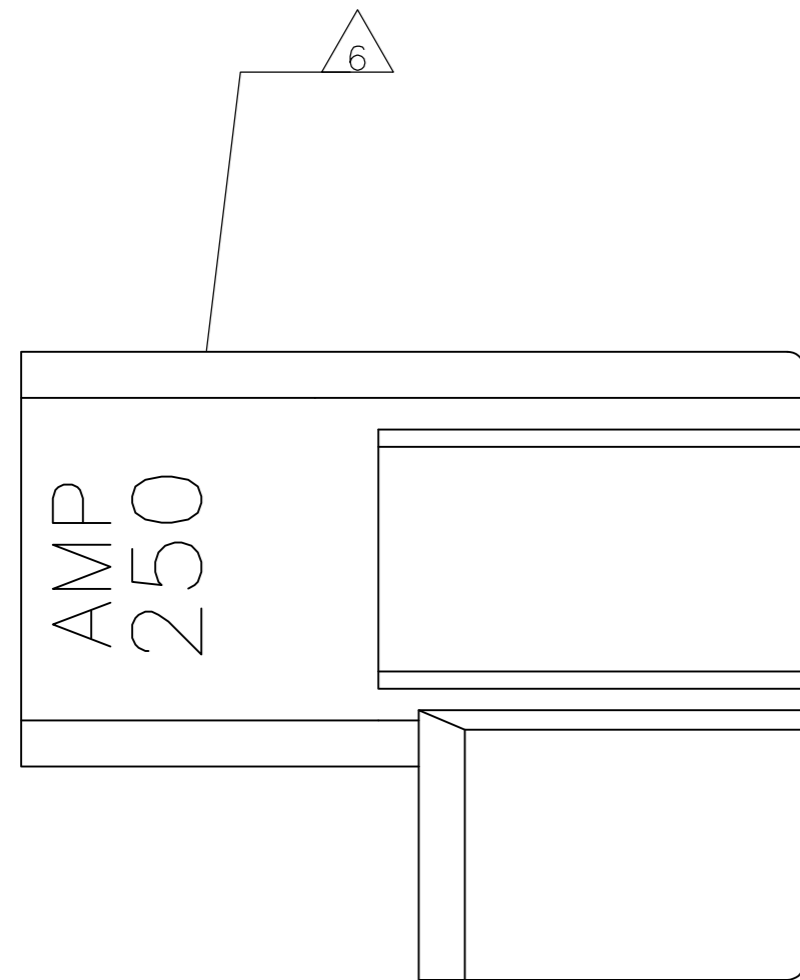
Tel: +86-755-8981 8866 Fax: +86-755-8427 6832

Email & Skype: info@chipsmall.com Web: www.chipsmall.com

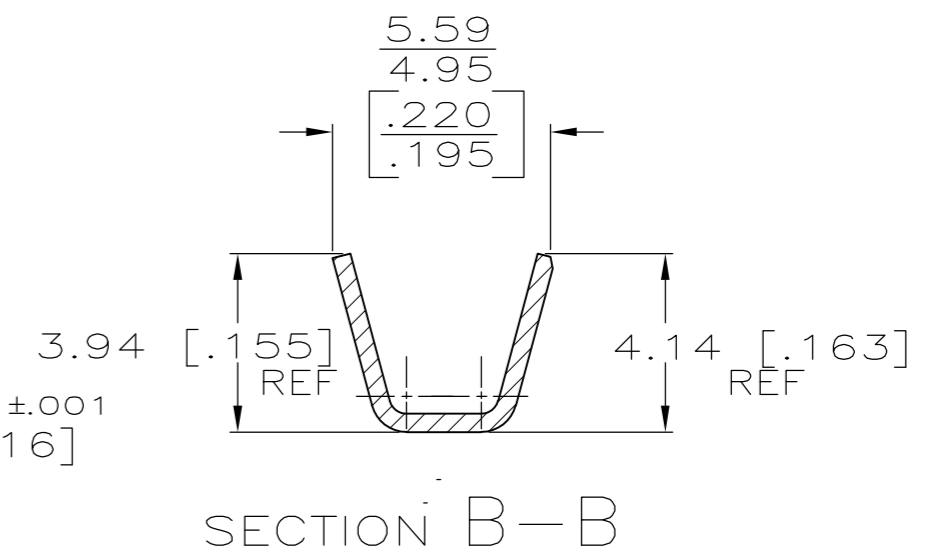
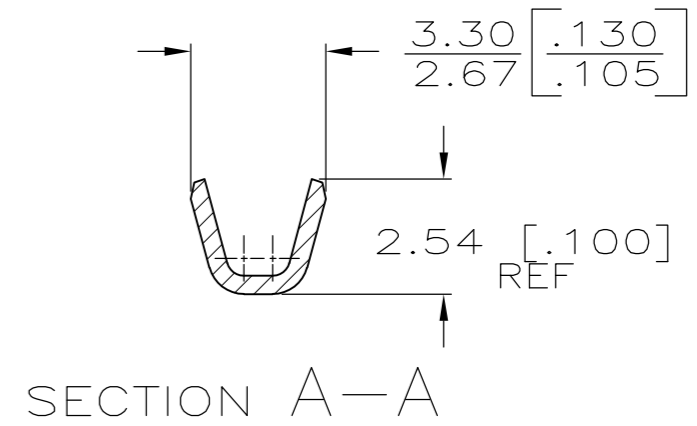
Address: A1208, Overseas Decoration Building, #122 Zhenhua RD., Futian, Shenzhen, China

THIS DRAWING IS UNPUBLISHED. RELEASED FOR PUBLICATION
 © COPYRIGHT - By - ALL RIGHTS RESERVED.

LOC	DIST	REVISIONS			
P	LTR	DESCRIPTION	DATE	DWN	APVD
AF	50	F2	REVISED PER ECR-12-013219	08JAN13	KH KR



- 1 BUDGET FLAG FASTON TERMINALS, BASE P/N 521049, ARE USED IN THIS PRODUCT.
- △2 MATERIAL: TERMINAL - BRASS
HOUSING - 6/6 V0, NYLON
- △3 FINISH: TERMINAL - SEE TABLE
HOUSING - NATURAL
- 4 WIRE SIZE IS [22-18] AWG
- 5 INSULATION RANGE IS 1.27-2.54
[.050-.100] DIA
- △6 ALTERNATIVE HOUSING FORM



TIN PLATE	521411-2
PLAIN	521411-1
TERMINAL FINISH	PART NO

THIS DRAWING IS A CONTROLLED DOCUMENT.		DWN	JR RUTH	18MAY01
DIMENSIONS: mm [INCHES]		CHK	MS FEHER	18MAY01
TOLERANCES UNLESS OTHERWISE SPECIFIED:		APVD	J HUMMEL	18MAY01
0 PLC	± -	PRODUCT SPEC	108-1285	
1 PLC	± -	APPLICATION SPEC	114-2124	
2 PLC	± -	WEIGHT	-	
3 PLC	± 0.25 [.010]	CUSTOMER DRAWING		
4 PLC	± -	SCALE	6:1	
ANGLES	± -	SHEET	1 OF 1	
FINISH	△3	REV	F2	

		ASSEMBLY, RECEPTACLE, FLAG, ULTRA-POD, 6.35 [.250] SERIES	
		SIZE	A2
CAGE CODE	00779	DRAWING NO	C=521411
RESTRICTED TO	-	SCALE	6:1