



Chipsmall Limited consists of a professional team with an average of over 10 year of expertise in the distribution of electronic components. Based in Hongkong, we have already established firm and mutual-benefit business relationships with customers from,Europe,America and south Asia,supplying obsolete and hard-to-find components to meet their specific needs.

With the principle of “Quality Parts,Customers Priority,Honest Operation,and Considerate Service”,our business mainly focus on the distribution of electronic components. Line cards we deal with include Microchip,ALPS,ROHM,Xilinx,Pulse,ON,Everlight and Freescale. Main products comprise IC,Modules,Potentiometer,IC Socket,Relay,Connector.Our parts cover such applications as commercial,industrial, and automotives areas.

We are looking forward to setting up business relationship with you and hope to provide you with the best service and solution. Let us make a better world for our industry!



Contact us

Tel: +86-755-8981 8866 Fax: +86-755-8427 6832

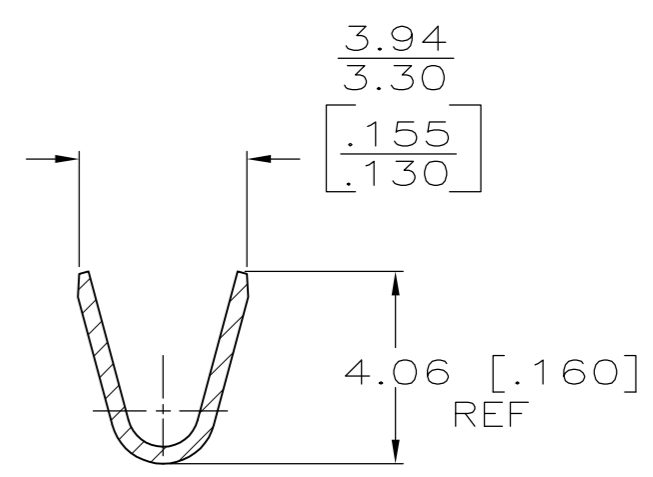
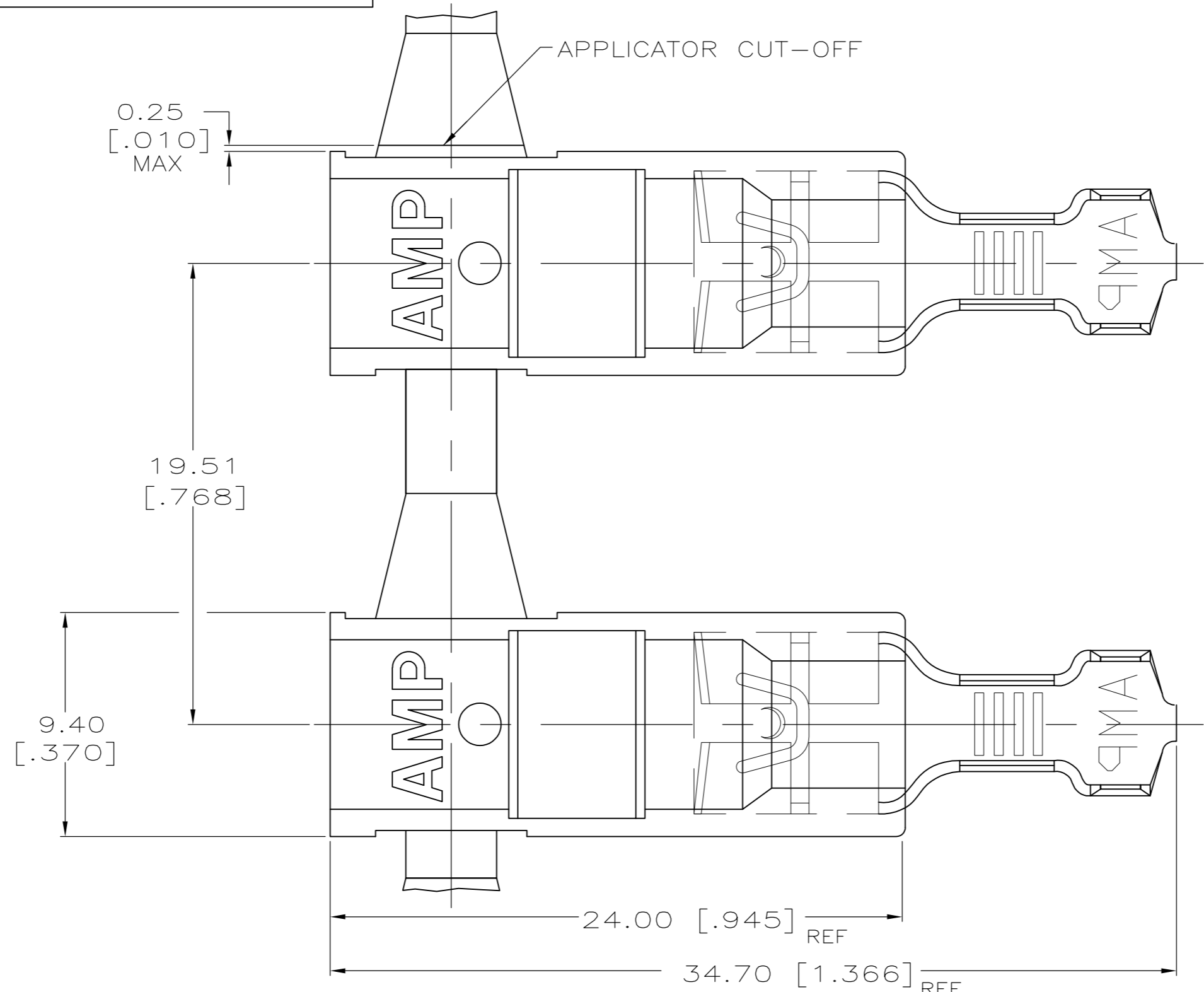
Email & Skype: info@chipsmall.com Web: www.chipsmall.com

Address: A1208, Overseas Decoration Building, #122 Zhenhua RD., Futian, Shenzhen, China

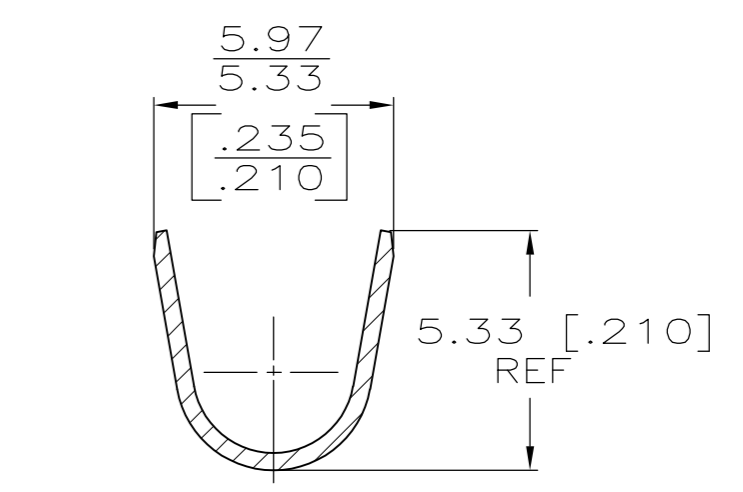
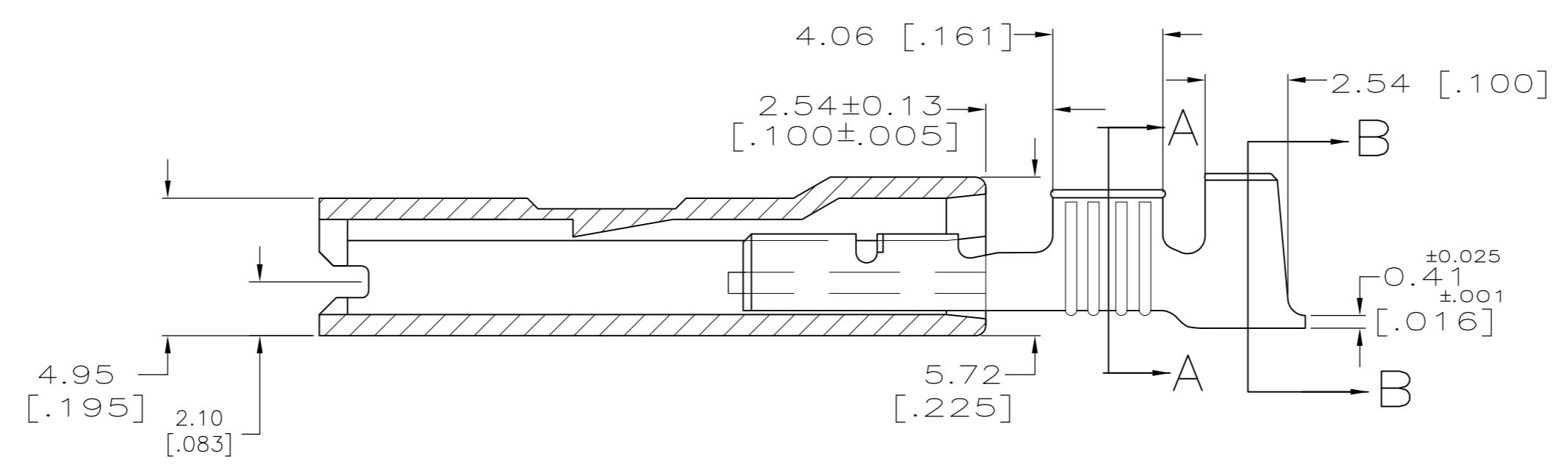


THIS DRAWING IS UNPUBLISHED. RELEASED FOR PUBLICATION
 © COPYRIGHT BY TYCO ELECTRONICS CORPORATION. ALL INTERNATIONAL RIGHTS RESERVED.

LOC	DIST	REVISIONS					
AF	50	P	LTR	DESCRIPTION	DATE	DWN	APVD
		C		REVISED PER ECR-10-001444	22FEB10	HMR	GP



SECTION A-A



SECTION B-B

- PREMIER (STRESS-RELIEVED) LOW-INSERTION FASTON TERMINALS, BASE P/N 63306, ARE USED IN THIS PRODUCT.
- MATING TAB THK IS 0.813±0.025 [.032±.001].
- WIRE SIZE IS 0.8-2.0mm² [18-14] AWG.
- INSULATION RANGE IS 3.05-4.32 [.120-.170] DIA.
- PRELIMINARY - NOT FOR PRODUCTION
- OFFERED FOR CONSIDERATION IN APPLICATIONS REQUIRING "NON-DRIP" HOUSING MATERIAL.

STANDARD	VO NYLON 66,	4H BRASS WITH .000080 MIN TIN PL.	5 521547-2
STANDARD	NATURAL (WHITE)	4H BRASS, PLAIN	521547-1
PACKAGING	HOUSING	TERMINAL	PART NO
MATERIAL / FINISH			
THIS DRAWING IS A CONTROLLED DOCUMENT.		DWN JR RUTH 31mar03	Tyco Electronics Corporation Harrisburg, PA 17105-3608
DIMENSIONS: mm [INCHES]		CHK J HUMMEL 31MAR03	
TOLERANCES UNLESS OTHERWISE SPECIFIED:		APVD J HUMMEL 31MAR03	NAME ASSEMBLY, ULTRA-POD, RECEPTACLE, 6.35 [.250] SERIES PREMIER STYLE
0 PLC ± -		PRODUCT SPEC 108-1285	
1 PLC ± -		APPLICATION SPEC 114-2124	SIZE A2
2 PLC ± -		WEIGHT -	CAGE CODE 00779
3 PLC ± 0.25 [.010]		FINISH SEE TABLE	DRAWING NO 521547
4 PLC ± -			RESTRICTED TO -
ANGLES ± -			SCALE 5:1
MATERIAL SEE TABLE			SHEET 1 of 1
FINISH SEE TABLE		CUSTOMER DRAWING	REV C