



Chipsmall Limited consists of a professional team with an average of over 10 year of expertise in the distribution of electronic components. Based in Hongkong, we have already established firm and mutual-benefit business relationships with customers from,Europe,America and south Asia,supplying obsolete and hard-to-find components to meet their specific needs.

With the principle of “Quality Parts,Customers Priority,Honest Operation,and Considerate Service”,our business mainly focus on the distribution of electronic components. Line cards we deal with include Microchip,ALPS,ROHM,Xilinx,Pulse,ON,Everlight and Freescale. Main products comprise IC,Modules,Potentiometer,IC Socket,Relay,Connector.Our parts cover such applications as commercial,industrial, and automotives areas.

We are looking forward to setting up business relationship with you and hope to provide you with the best service and solution. Let us make a better world for our industry!



Contact us

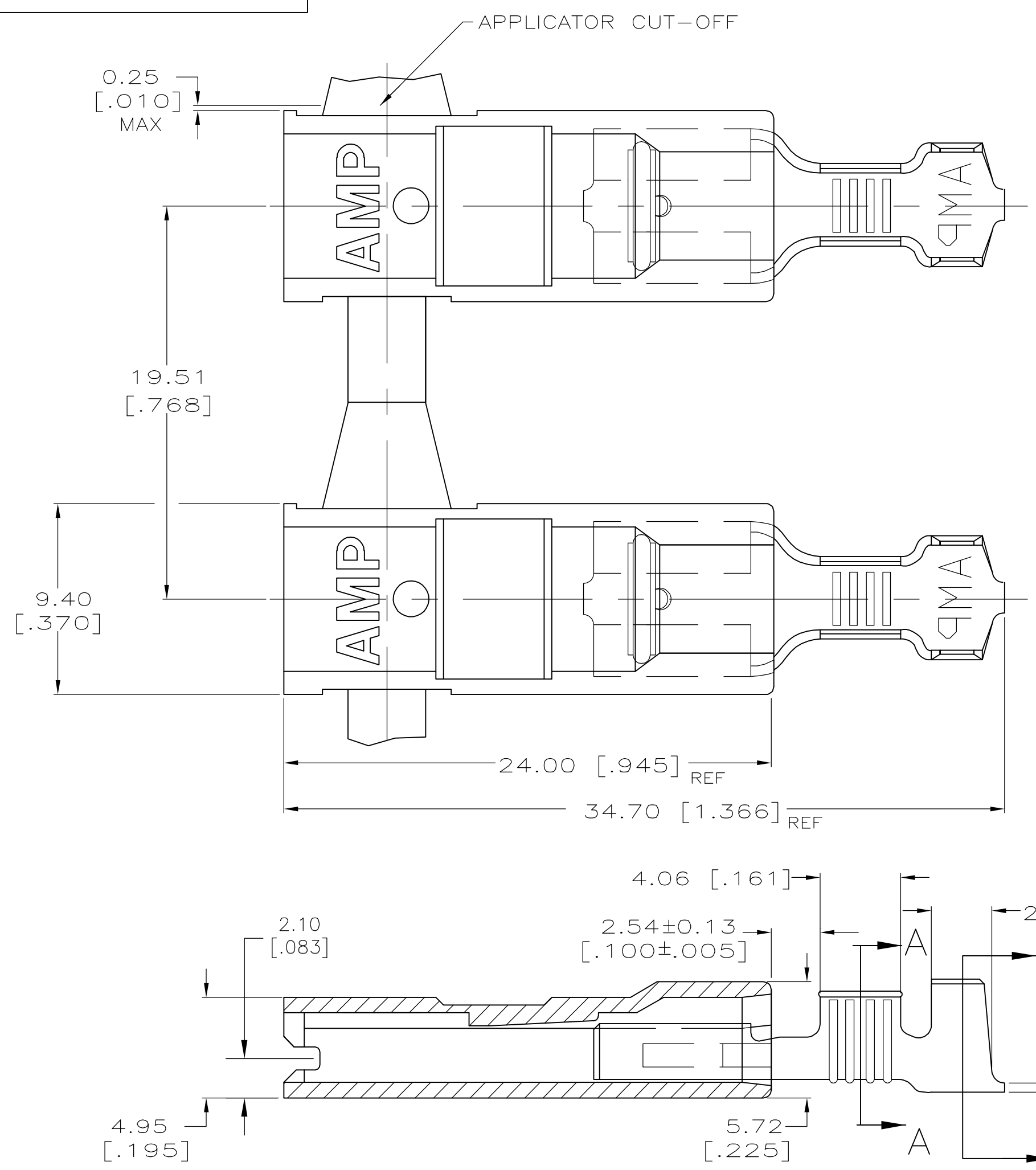
Tel: +86-755-8981 8866 Fax: +86-755-8427 6832

Email & Skype: info@chipsmall.com Web: www.chipsmall.com

Address: A1208, Overseas Decoration Building, #122 Zhenhua RD., Futian, Shenzhen, China



LOC	DIST	REVISIONS					
AF	50	P	LTR	DESCRIPTION	DATE	DWN	APVD
		A1		REVISED PER ECR-06-000467	24MAY06	HMR	GP



- 1 BUDGET FASTON TERMINALS, BASE P/N 63884, ARE USED IN THIS PRODUCT.
- 2 WIRE SIZE 0.8-2.0mm [18-14] AWG
- 3 INSULATION RANGE IS 2.79-4.32 [.110-.170] DIA.
- 4 MATING TAB THK IS 0.813±0.025 [.032±.001].

STANDARD	MATERIAL: 4M BRASS FINISH: 0.002032 [.000080] MIN TIN	MATERIAL: 6/6 VO, NYLON COLOR: NATURAL	521567-2
PACKAGING	TERMINAL	HOUSING	PART NO.
THIS DRAWING IS A CONTROLLED DOCUMENT.		DWN JR RUTH 15AUG02	Tyco Electronics Corporation Harrisburg, PA 17105-3608
DIMENSIONS: mm [INCHES]		CHK MS FEHER 15AUG02	
TOLERANCES UNLESS OTHERWISE SPECIFIED:		APVD -	NAME
0 PLC ± - 1 PLC ± - 2 PLC ± - 3 PLC ± 0.25 [.010] 4 PLC ± - ± - ANGLES ± - ± -		PRODUCT SPEC 108-1285	ASSEMBLY, ULTRA-POD, RECEPTACLE, 6.35 [.250] SERIES
MATERIAL SEE TABLE		APPLICATION SPEC 114-2124	SIZE A2
FINISH SEE TABLE		WEIGHT -	CAGE CODE 00779
		CUSTOMER DRAWING	DRAWING NO G-521567
		SCALE 5:1	RESTRICTED TO -
		SHEET 1 of 1	REV A1