



Chipsmall Limited consists of a professional team with an average of over 10 year of expertise in the distribution of electronic components. Based in Hongkong, we have already established firm and mutual-benefit business relationships with customers from,Europe,America and south Asia,supplying obsolete and hard-to-find components to meet their specific needs.

With the principle of “Quality Parts,Customers Priority,Honest Operation,and Considerate Service”,our business mainly focus on the distribution of electronic components. Line cards we deal with include Microchip,ALPS,ROHM,Xilinx,Pulse,ON,Everlight and Freescale. Main products comprise IC,Modules,Potentiometer,IC Socket,Relay,Connector.Our parts cover such applications as commercial,industrial, and automotives areas.

We are looking forward to setting up business relationship with you and hope to provide you with the best service and solution. Let us make a better world for our industry!



Contact us

Tel: +86-755-8981 8866 Fax: +86-755-8427 6832

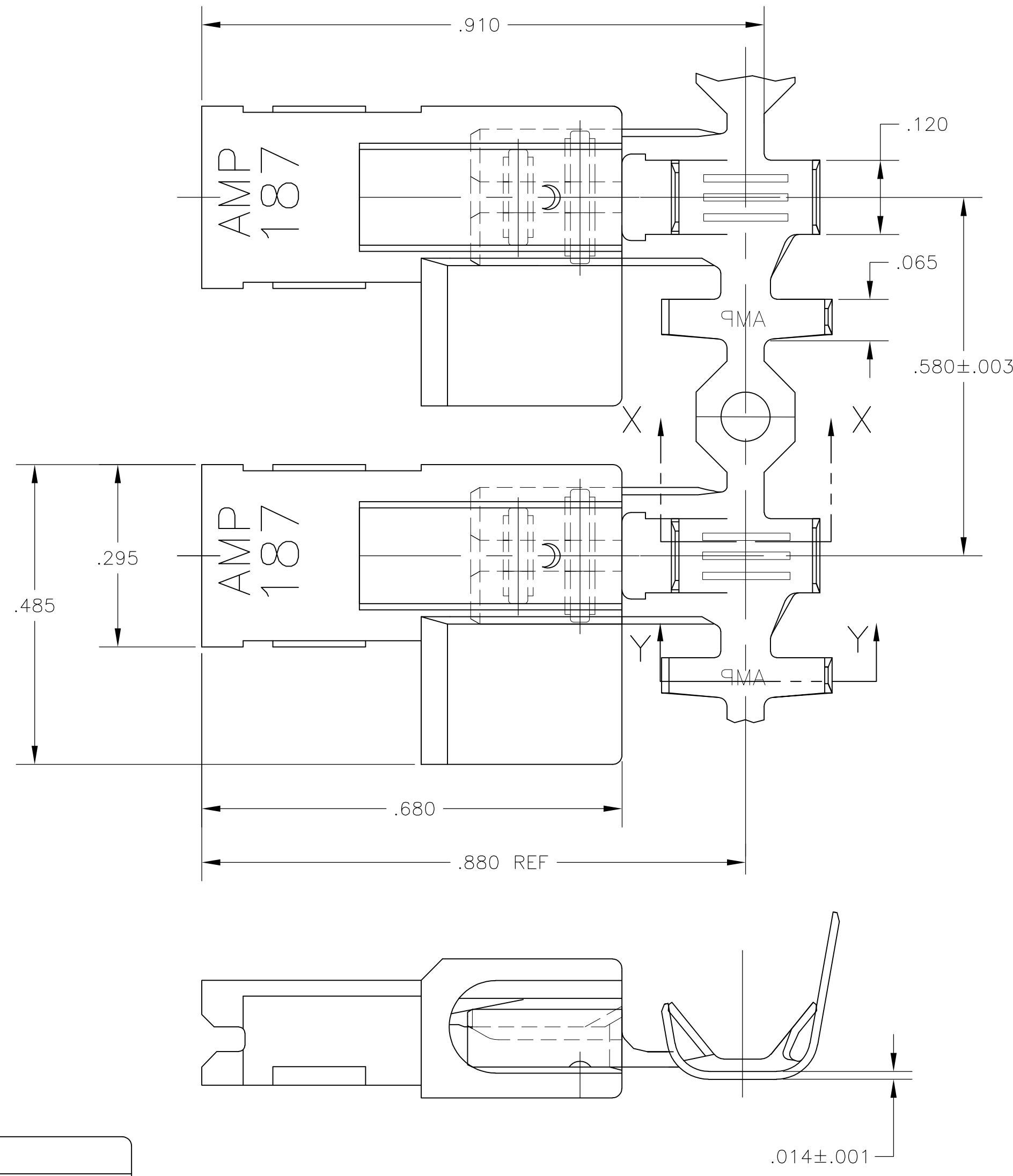
Email & Skype: info@chipsmall.com Web: www.chipsmall.com

Address: A1208, Overseas Decoration Building, #122 Zhenhua RD., Futian, Shenzhen, China

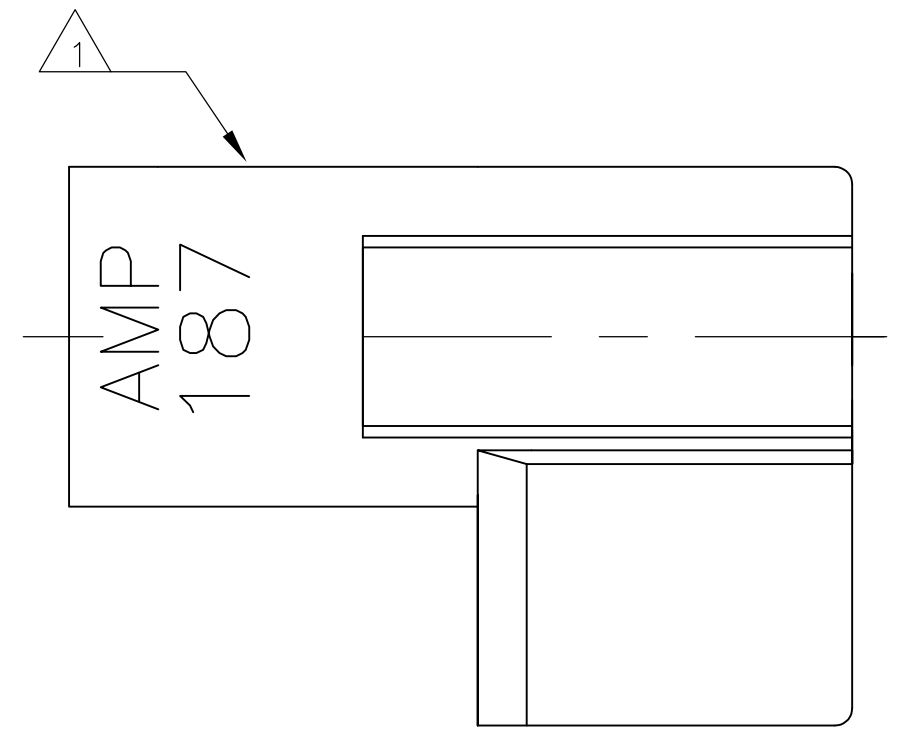
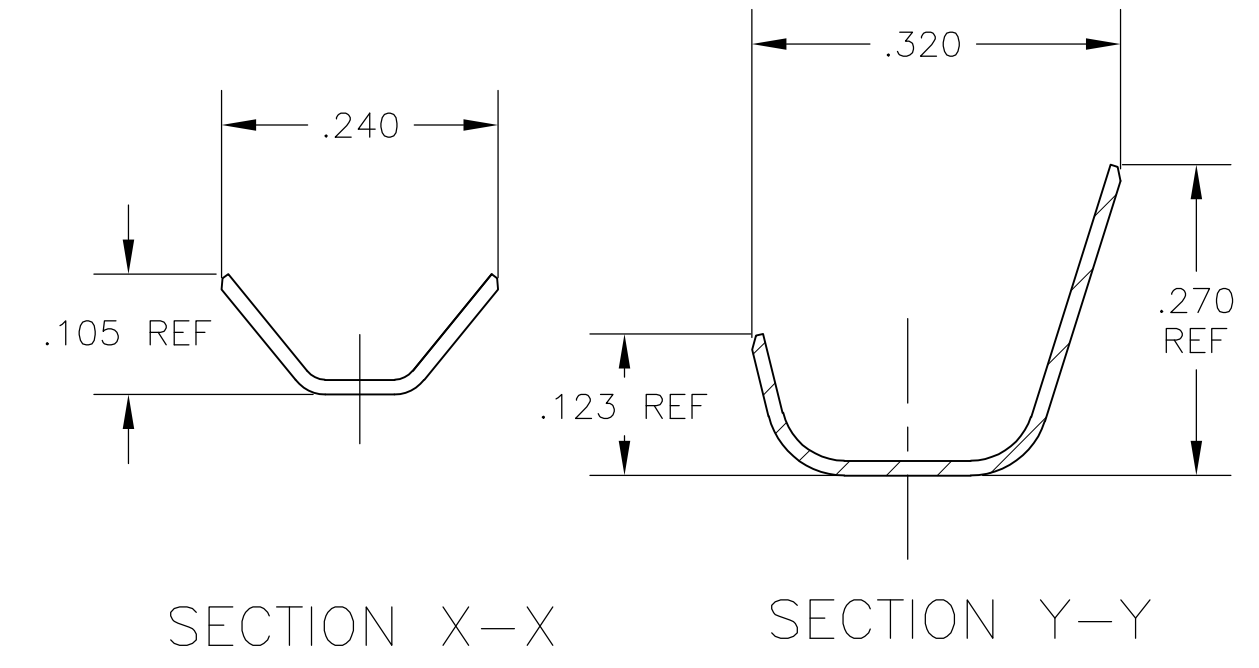


THIS DRAWING IS UNPUBLISHED. RELEASED FOR PUBLICATION
 © COPYRIGHT - By - ALL RIGHTS RESERVED.

LOC	DIST	REVISIONS					
AF	50	P	LTR	DESCRIPTION	DATE	DWN	APVD
		J		REVISED PER ECR-12-013062	18DEC12	KH	KR



- 1 ALTERNATIVE HOUSING FORM
- 2 WIRE SIZES & COMBINATIONS: #18, #16, #14, (2)#20, (2)#18
- 3 INSULATION RANGE IS .110-.150 DIA OR TWO AT .110 MAX DIA.
- 4 MATERIAL;
 TERMINAL: BRASS, FINISH SEE TABLE
 HOUSING: 6/6 NYLON, NATURAL COLOR (WHITE)
- 5 FITS .187 X .032 THK FASTON TAB



THIS DRAWING IS A CONTROLLED DOCUMENT.		DWN	JR RUTH	30JUL03
DIMENSIONS: INCHES		CHK	J HUMMEL	24JUL03
TOLERANCES UNLESS OTHERWISE SPECIFIED:		APVD	KRISTY YI	24JUL03
0 PLC	± -	PRODUCT SPEC	108-2215	
1 PLC	± -	APPLICATION SPEC	114-2124	
2 PLC	± -	WEIGHT	-	
3 PLC	± .010	SCALE	6:1	
4 PLC	± -	SHEET	1 of 1	
ANGLES	± -	REV	J	
FINISH	SEE NOTES	CUSTOMER DRAWING		

.000040 MIN TIN PLATE	521601-2
NO PLATING	521601-1
TERMINAL: FINISH	PART NO.

NAME			
ASSEMBLY, RECPT, FLAG, ULTRA-POD, .187 SERIES			
18-14 AWG, VO HOUSING			
SIZE	CAGE CODE	DRAWING NO	RESTRICTED TO
A2	00779	C=521601	-