



Chipsmall Limited consists of a professional team with an average of over 10 year of expertise in the distribution of electronic components. Based in Hongkong, we have already established firm and mutual-benefit business relationships with customers from,Europe,America and south Asia,supplying obsolete and hard-to-find components to meet their specific needs.

With the principle of “Quality Parts,Customers Priority,Honest Operation,and Considerate Service”,our business mainly focus on the distribution of electronic components. Line cards we deal with include Microchip,ALPS,ROHM,Xilinx,Pulse,ON,Everlight and Freescale. Main products comprise IC,Modules,Potentiometer,IC Socket,Relay,Connector.Our parts cover such applications as commercial,industrial, and automotives areas.

We are looking forward to setting up business relationship with you and hope to provide you with the best service and solution. Let us make a better world for our industry!



## Contact us

Tel: +86-755-8981 8866 Fax: +86-755-8427 6832

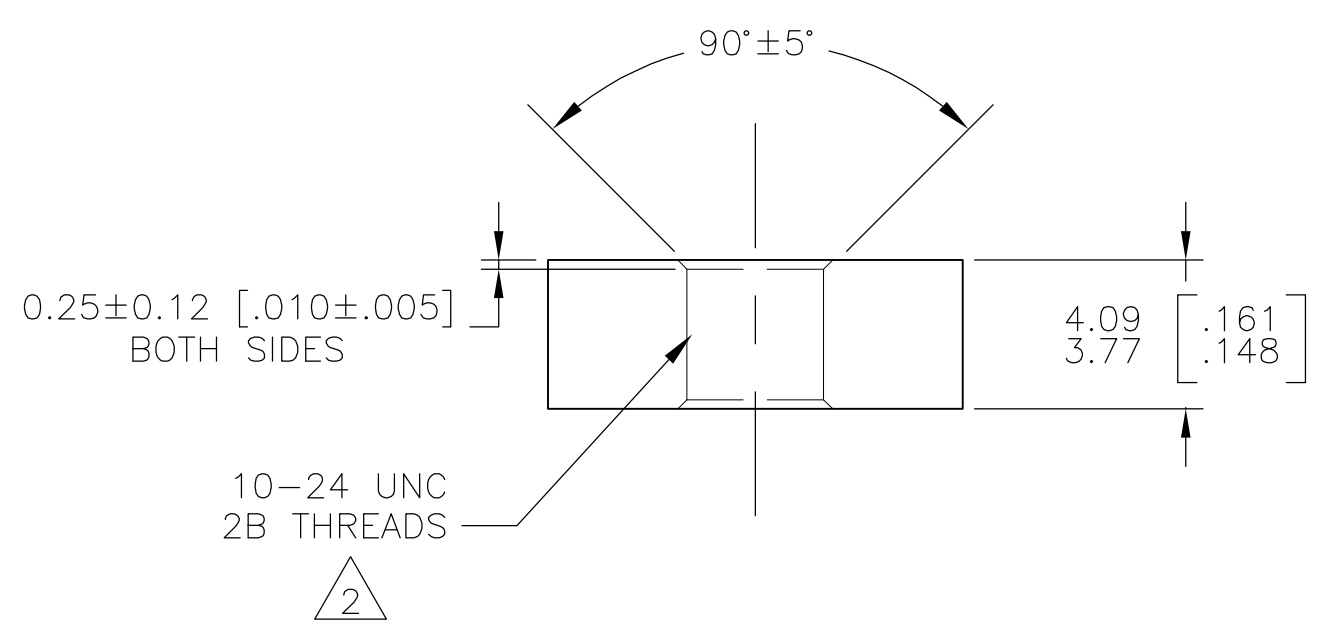
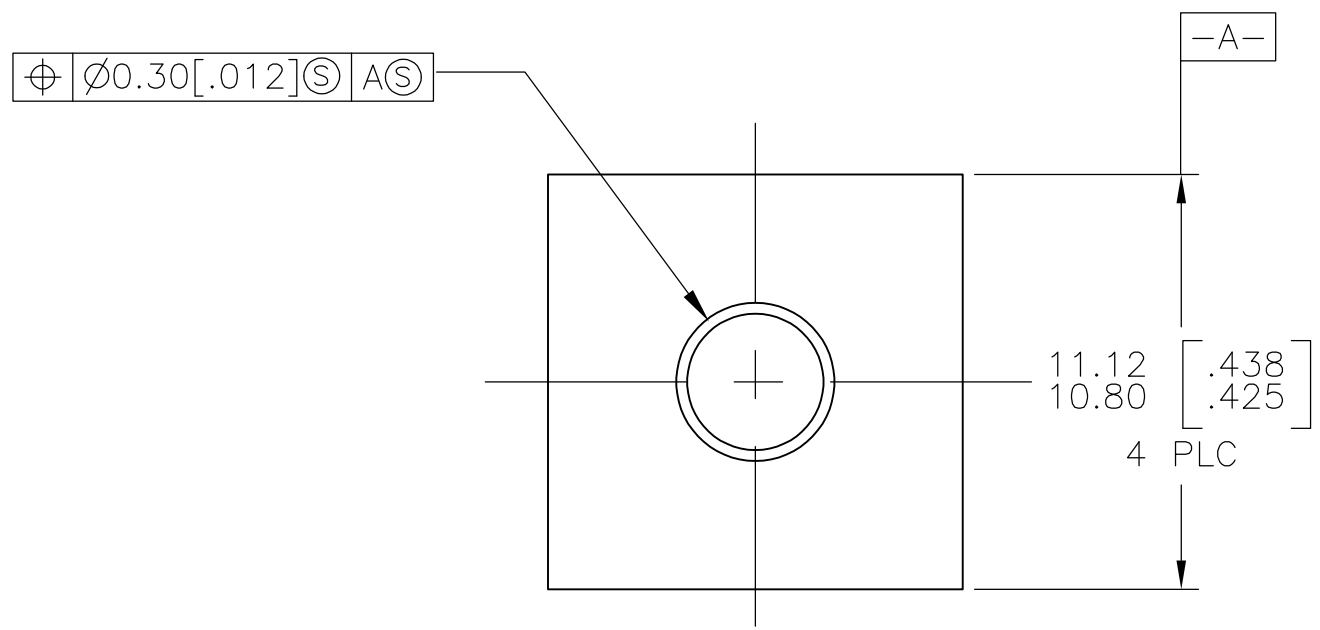
Email & Skype: info@chipsmall.com Web: www.chipsmall.com

Address: A1208, Overseas Decoration Building, #122 Zhenhua RD., Futian, Shenzhen, China



THIS DRAWING IS UNPUBLISHED. RELEASED FOR PUBLICATION  
 © COPYRIGHT BY TYCO ELECTRONICS CORPORATION. ALL INTERNATIONAL RIGHTS RESERVED.

LOC	DIST	REVISIONS					
		P	LTR	DESCRIPTION	DATE	DWN	APVD
G	01		A3	REVISED PER ECO-11-000060	06JAN11	HMR	GJ



- 1 PLATING: BRIGHT NICKEL 3.8 MICRONS [.000150] MIN.
- 2 THREAD GAGING AFTER PLATING  
USE 10-24 UNC 2B FOR "GO"  
USE P.D. OF 4.219 [.1661] FOR "NO GO"  
HOLE DIA OF 3.962 [.1560] MAX
- 3 NUT MUST WITHSTAND 50 INCH LBS OF  
MATING, SCREW TORQUE WITHOUT  
DESTRUCTIVE DAMAGE.
- 4 MATERIAL: AISI 4130, 4037, 4135,  
C10B21 OR EQUIVALENT.

1 NICKEL	521624-1
FINISH	PART NO

THIS DRAWING IS A CONTROLLED DOCUMENT.		DWN M.S. FEHER 19SEP2005	Tyco Electronics Corporation Harrisburg, PA 17105-3608													
DIMENSIONS: mm [INCHES]		CHK D.F. DECKER 19SEP2005	NAME													
TOLERANCES UNLESS OTHERWISE SPECIFIED:		APVD D.F. DECKER 19SEP2005	NUT FOR ASSEMBLY													
<table border="0"> <tr><td>0 PLC</td><td>± -</td></tr> <tr><td>1 PLC</td><td>± -</td></tr> <tr><td>2 PLC</td><td>± 0.13 [.005]</td></tr> <tr><td>3 PLC</td><td>± -</td></tr> <tr><td>4 PLC</td><td>± -</td></tr> <tr><td>ANGLES</td><td>± 1°</td></tr> </table>		0 PLC	± -	1 PLC	± -	2 PLC	± 0.13 [.005]	3 PLC	± -	4 PLC	± -	ANGLES	± 1°	PRODUCT SPEC	SIZE	
0 PLC	± -															
1 PLC	± -															
2 PLC	± 0.13 [.005]															
3 PLC	± -															
4 PLC	± -															
ANGLES	± 1°															
MATERIAL		APPLICATION SPEC	CAGE CODE	DRAWING NO												
FINISH		WEIGHT	A3 00779	G-521624												
4		CUSTOMER DRAWING		RESTRICTED TO												
		SCALE	SHEET	REV												
		5:1	1 OF 1	A3												