



Chipsmall Limited consists of a professional team with an average of over 10 year of expertise in the distribution of electronic components. Based in Hongkong, we have already established firm and mutual-benefit business relationships with customers from,Europe,America and south Asia,supplying obsolete and hard-to-find components to meet their specific needs.

With the principle of “Quality Parts,Customers Priority,Honest Operation,and Considerate Service”,our business mainly focus on the distribution of electronic components. Line cards we deal with include Microchip,ALPS,ROHM,Xilinx,Pulse,ON,Everlight and Freescale. Main products comprise IC,Modules,Potentiometer,IC Socket,Relay,Connector.Our parts cover such applications as commercial,industrial, and automotives areas.

We are looking forward to setting up business relationship with you and hope to provide you with the best service and solution. Let us make a better world for our industry!



## Contact us

Tel: +86-755-8981 8866 Fax: +86-755-8427 6832

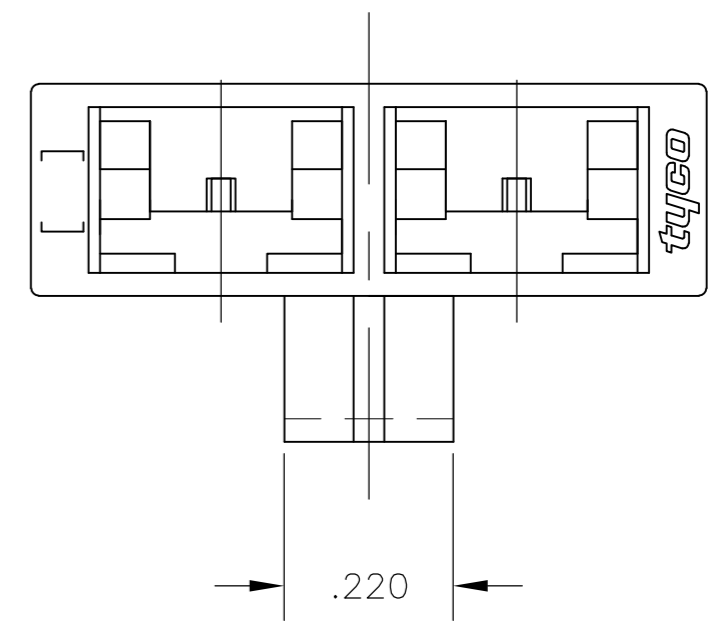
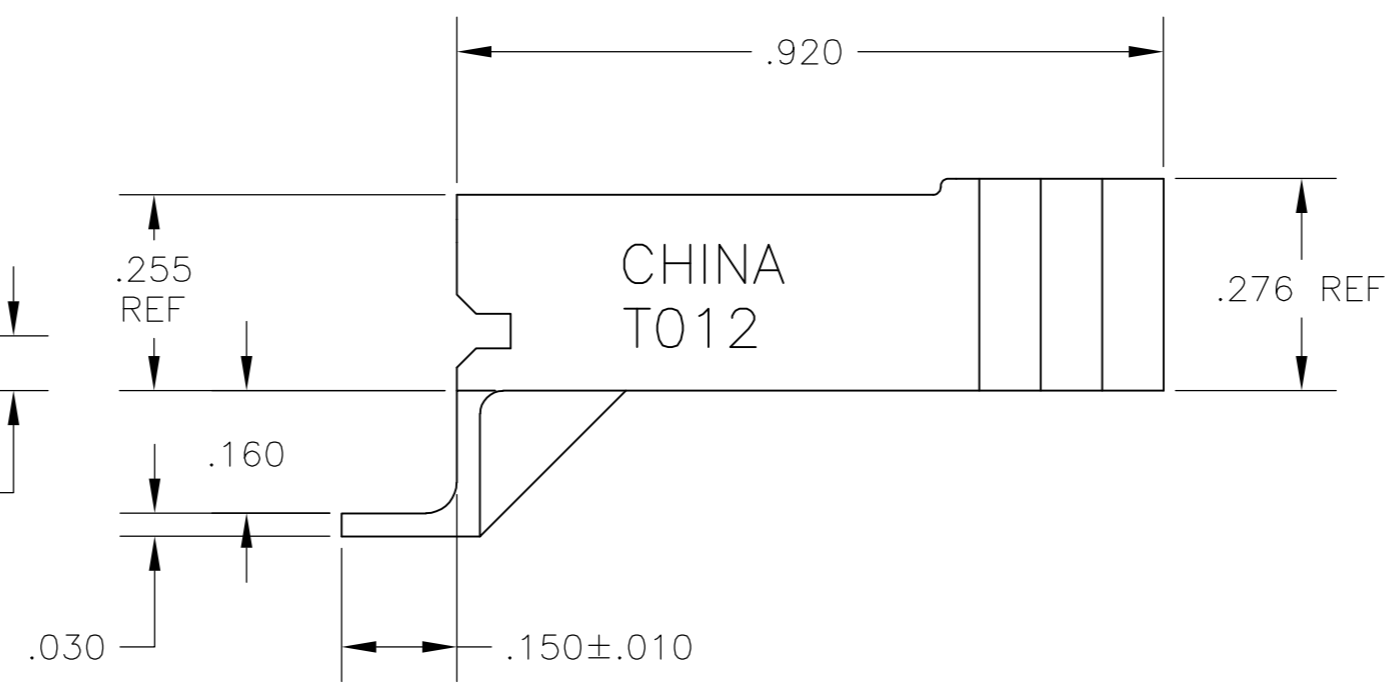
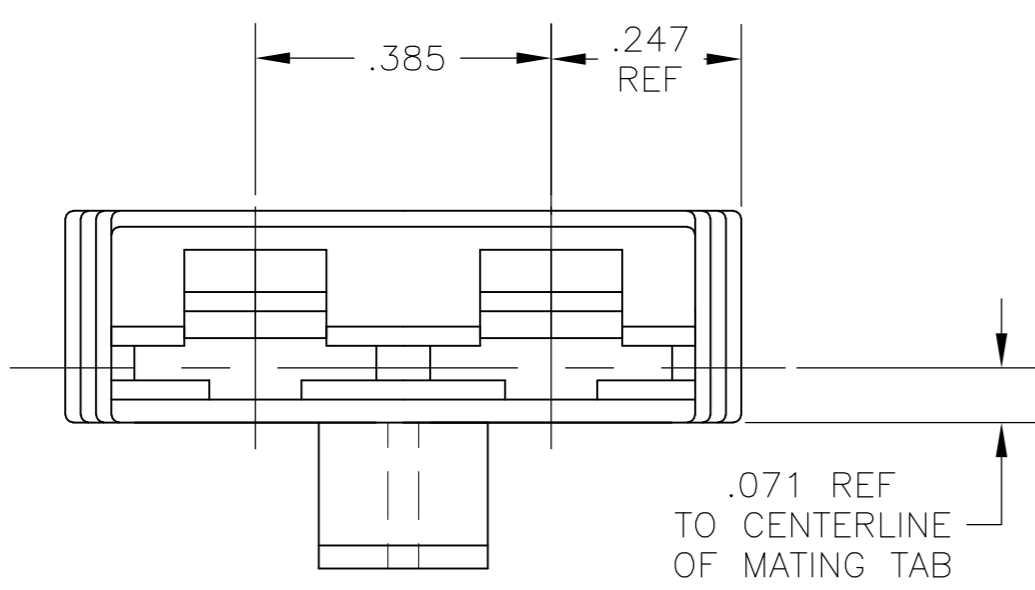
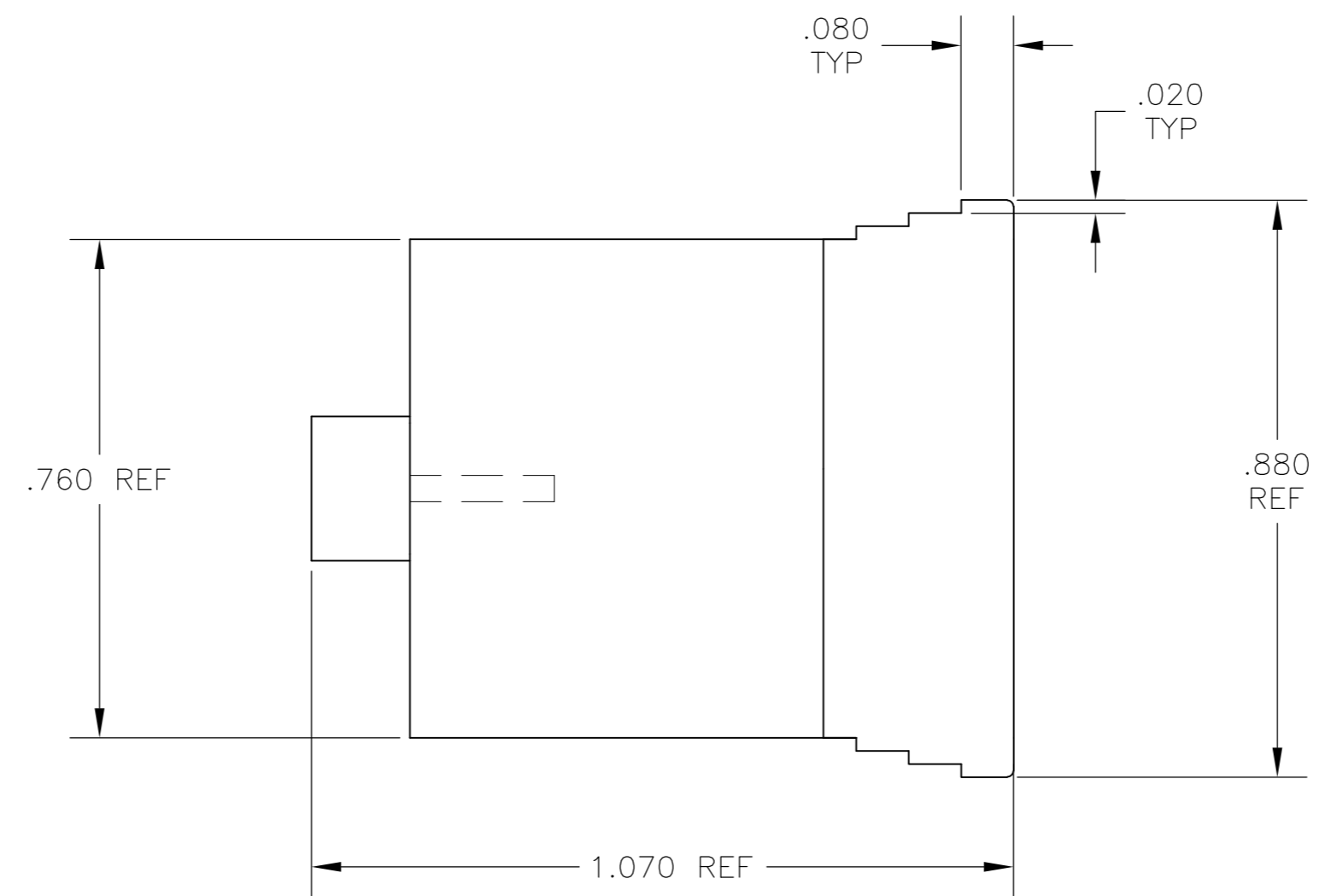
Email & Skype: info@chipsmall.com Web: www.chipsmall.com

Address: A1208, Overseas Decoration Building, #122 Zhenhua RD., Futian, Shenzhen, China



THIS DRAWING IS UNPUBLISHED. RELEASED FOR PUBLICATION  
 © COPYRIGHT BY TYCO ELECTRONICS CORPORATION. ALL RIGHTS RESERVED.

LOC	DIST	REVISIONS					
AF	50	P	LTR	DESCRIPTION	DATE	DWN	APVD
		J1		REVISED PER ECR-09-010794	21AUG09	HMR	PD



66 NYLON, V0, 125* MAX		521702-1	
MATERIAL		PART NO	
DWN JR RUTH 26NOV03 CHK P DESANTIS 15DEC03 APVD P DESANTIS 27NOV03		Tyco Electronics Corporation Harrisburg, PA 17105	
DIMENSIONS: INCHES		NAME HOUSING, RECEPTACLE, FASTON, .250 SERIES	
TOLERANCES UNLESS OTHERWISE SPECIFIED: 0 PLC ± - 1 PLC ± - 2 PLC ± - 3 PLC ± .010 4 PLC ± - ANGLES ± 1°		PRODUCT SPEC - APPLICATION SPEC - SIZE A2 CAGE CODE 00779 DRAWING NO C=521702 RESTRICTED TO -	
MATERIAL SEE TABLE		WEIGHT -	
FINISH BLACK		SCALE 4:1 SHEET 1 OF 1 REV J1	
CUSTOMER DRAWING			