



Chipsmall Limited consists of a professional team with an average of over 10 year of expertise in the distribution of electronic components. Based in Hongkong, we have already established firm and mutual-benefit business relationships with customers from,Europe,America and south Asia,supplying obsolete and hard-to-find components to meet their specific needs.

With the principle of “Quality Parts,Customers Priority,Honest Operation,and Considerate Service”,our business mainly focus on the distribution of electronic components. Line cards we deal with include Microchip,ALPS,ROHM,Xilinx,Pulse,ON,Everlight and Freescale. Main products comprise IC,Modules,Potentiometer,IC Socket,Relay,Connector.Our parts cover such applications as commercial,industrial, and automotives areas.

We are looking forward to setting up business relationship with you and hope to provide you with the best service and solution. Let us make a better world for our industry!



Contact us

Tel: +86-755-8981 8866 Fax: +86-755-8427 6832

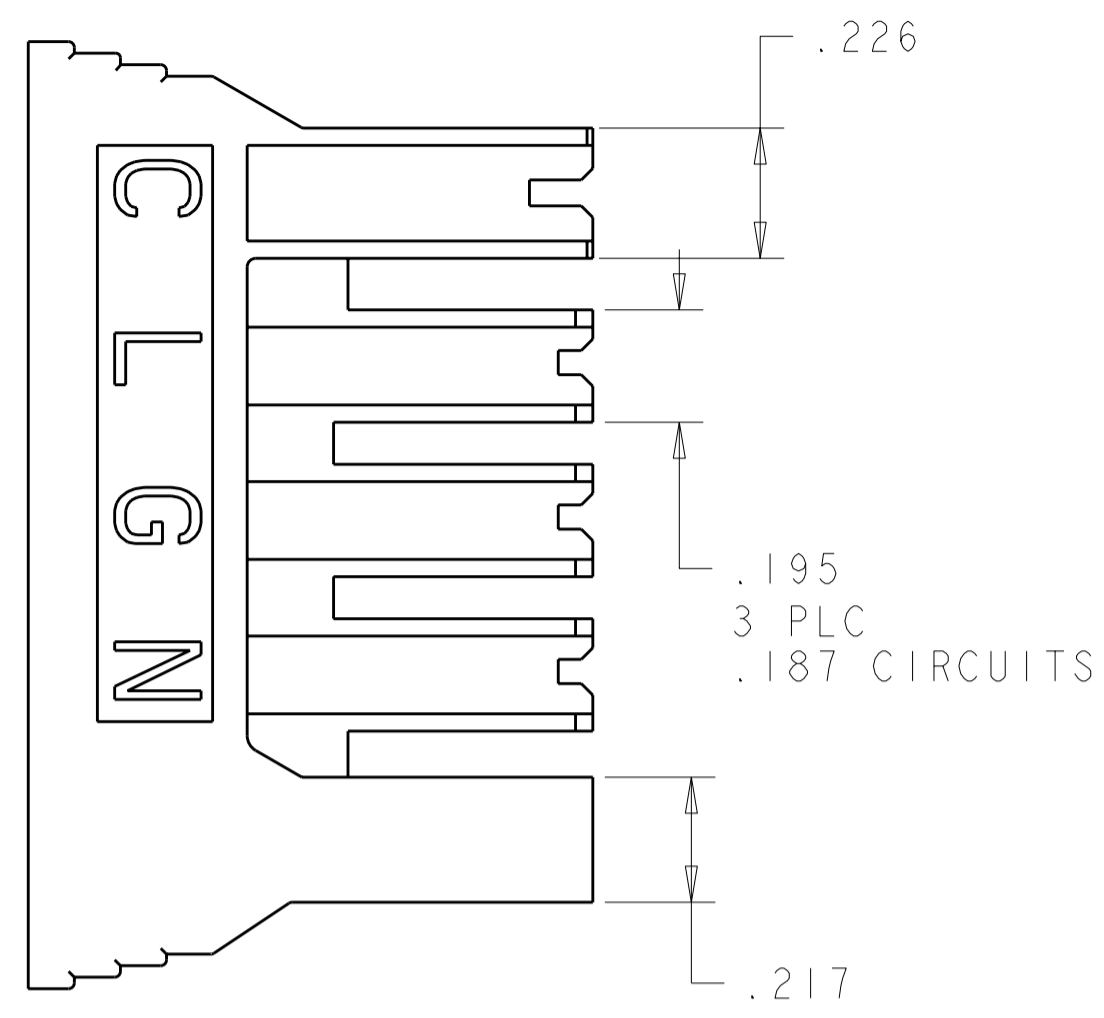
Email & Skype: info@chipsmall.com Web: www.chipsmall.com

Address: A1208, Overseas Decoration Building, #122 Zhenhua RD., Futian, Shenzhen, China

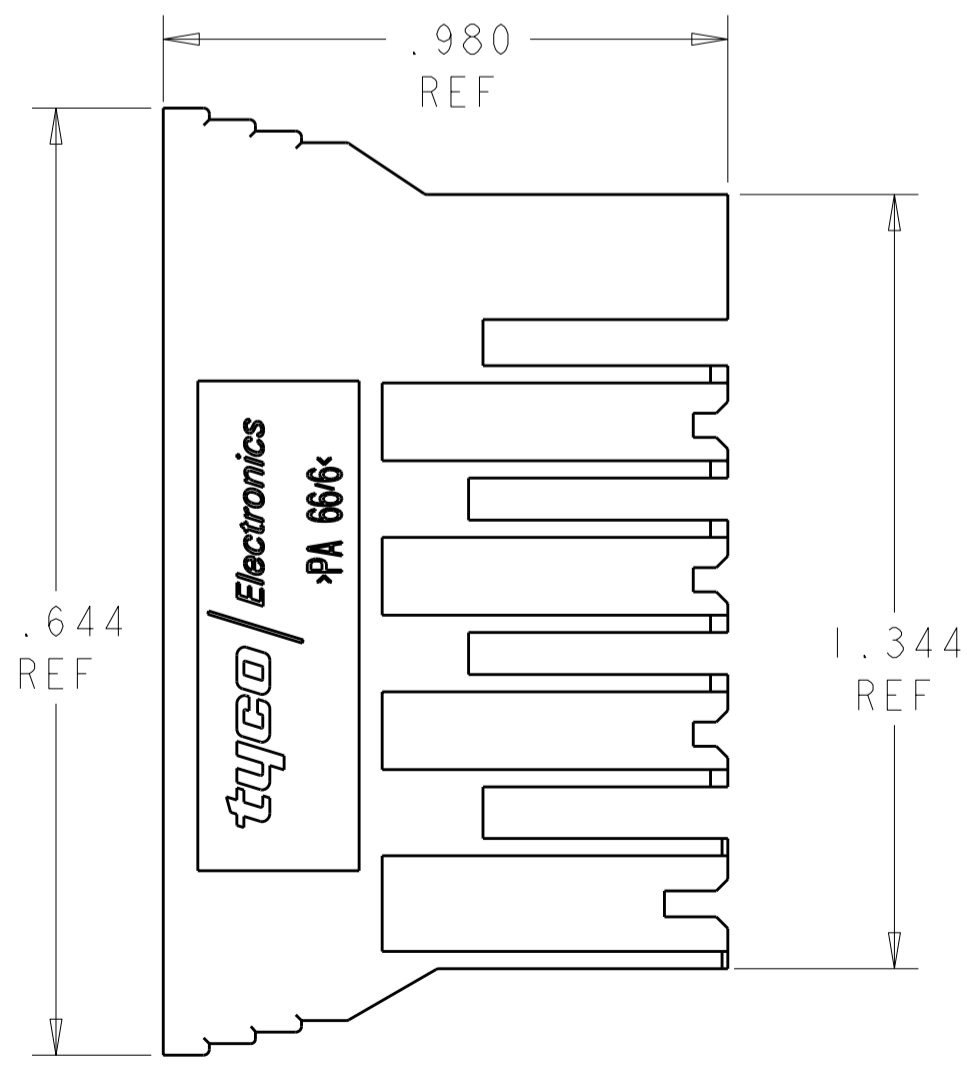
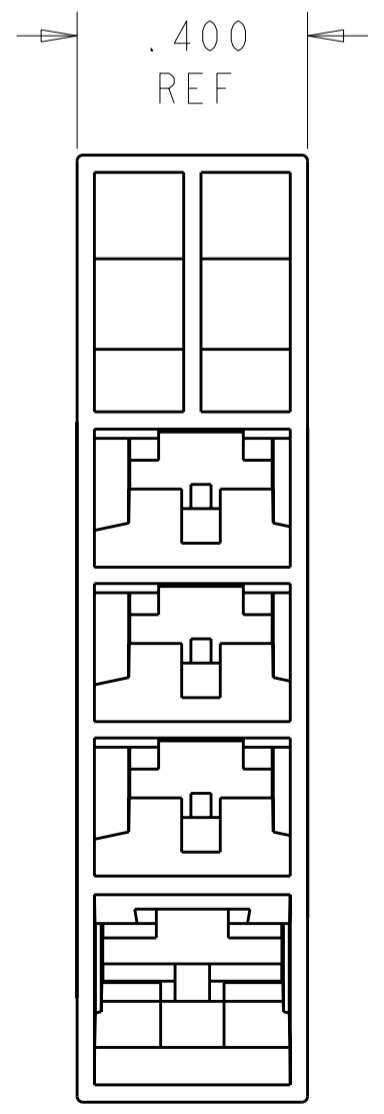
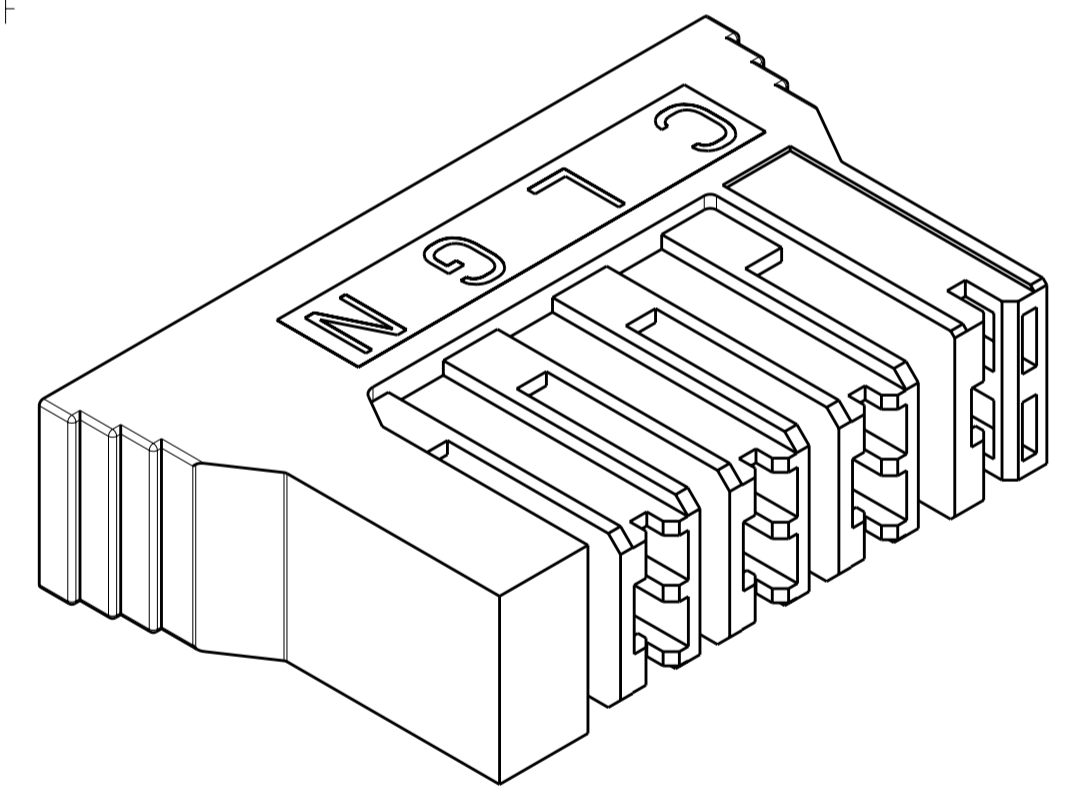
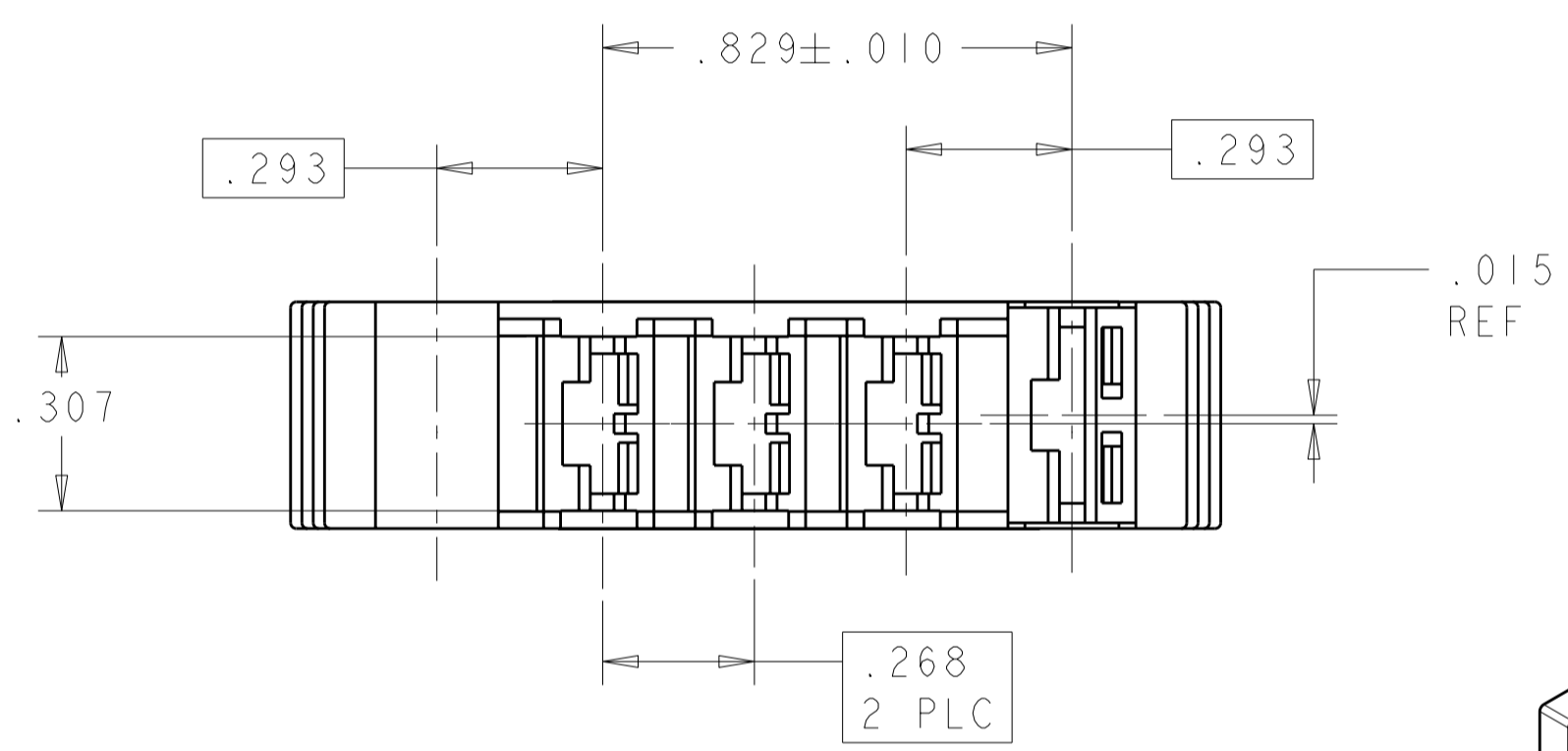


THIS DRAWING IS UNPUBLISHED. RELEASED FOR PUBLICATION 20
 © COPYRIGHT 20 BY TYCO ELECTRONICS CORPORATION. ALL RIGHTS RESERVED.

LOC	DIST	REVISIONS			
P	LTR	DESCRIPTION	DATE	DWN	APVD
AF	50	CI	REL PER ECR 05-018644	23DEC05	JR EH
		D	REVISED PER ECR-06-003481	28FEB2006	MF EH
		DI	REVISED PER ECR-06-007577	03APR2006	MF EH
		E	REVISED PER ECR-07-018671	08AUG2007	HMR EH



1. CIRCUIT "C" ACCEPTS:
 .250 MKIII POSITIVE LOCK RECEPTACLES 63933-X, 63854-X, & 1217092-X
 CIRCUITS L, G, & N ACCEPTS:
 .187 MKIII POSITIVE LOCK RECEPTACLES 1217113-X, & 1217114-X



NATURAL	NYLON 66/6, V0	521781-1
COLOR	MATERIAL	PART NUMBER

THIS DRAWING IS A CONTROLLED DOCUMENT FOR TYCO ELECTRONICS CORPORATION. IT IS SUBJECT TO CHANGE AND THE CONTROLLING ENGINEERING ORGANIZATION SHOULD BE CONTACTED FOR THE LATEST REVISION.		DWN R FLAIG 19 JAN 2005	Tyco Electronics Harrisburg, PA 17105-3608	
DIMENSIONS: INCHES		CHK G PORTA 19 JAN 2005	NAME HOUSING, RECEPTACLE POSITIVE LOCK, 4 POSITION	
TOLERANCES UNLESS OTHERWISE SPECIFIED: 0 PLC ± 1 PLC ± 2 PLC ± 3 PLC ±.010 4 PLC ± ANGLES ±2° FINISH		APVD G PORTA 19 JAN 2005	RESTRICTED TO	
SEE TABLE		PRODUCT SPEC - APPLICATION SPEC -	SIZE A2	CAGE CODE 00779
MATERIAL		WEIGHT -	DRAWING NO 521781	REV E
CUSTOMER DRAWING		SCALE	SHEET	OF