



Chipsmall Limited consists of a professional team with an average of over 10 year of expertise in the distribution of electronic components. Based in Hongkong, we have already established firm and mutual-benefit business relationships with customers from,Europe,America and south Asia,supplying obsolete and hard-to-find components to meet their specific needs.

With the principle of “Quality Parts,Customers Priority,Honest Operation,and Considerate Service”,our business mainly focus on the distribution of electronic components. Line cards we deal with include Microchip,ALPS,ROHM,Xilinx,Pulse,ON,Everlight and Freescale. Main products comprise IC,Modules,Potentiometer,IC Socket,Relay,Connector.Our parts cover such applications as commercial,industrial, and automotives areas.

We are looking forward to setting up business relationship with you and hope to provide you with the best service and solution. Let us make a better world for our industry!



Contact us

Tel: +86-755-8981 8866 Fax: +86-755-8427 6832

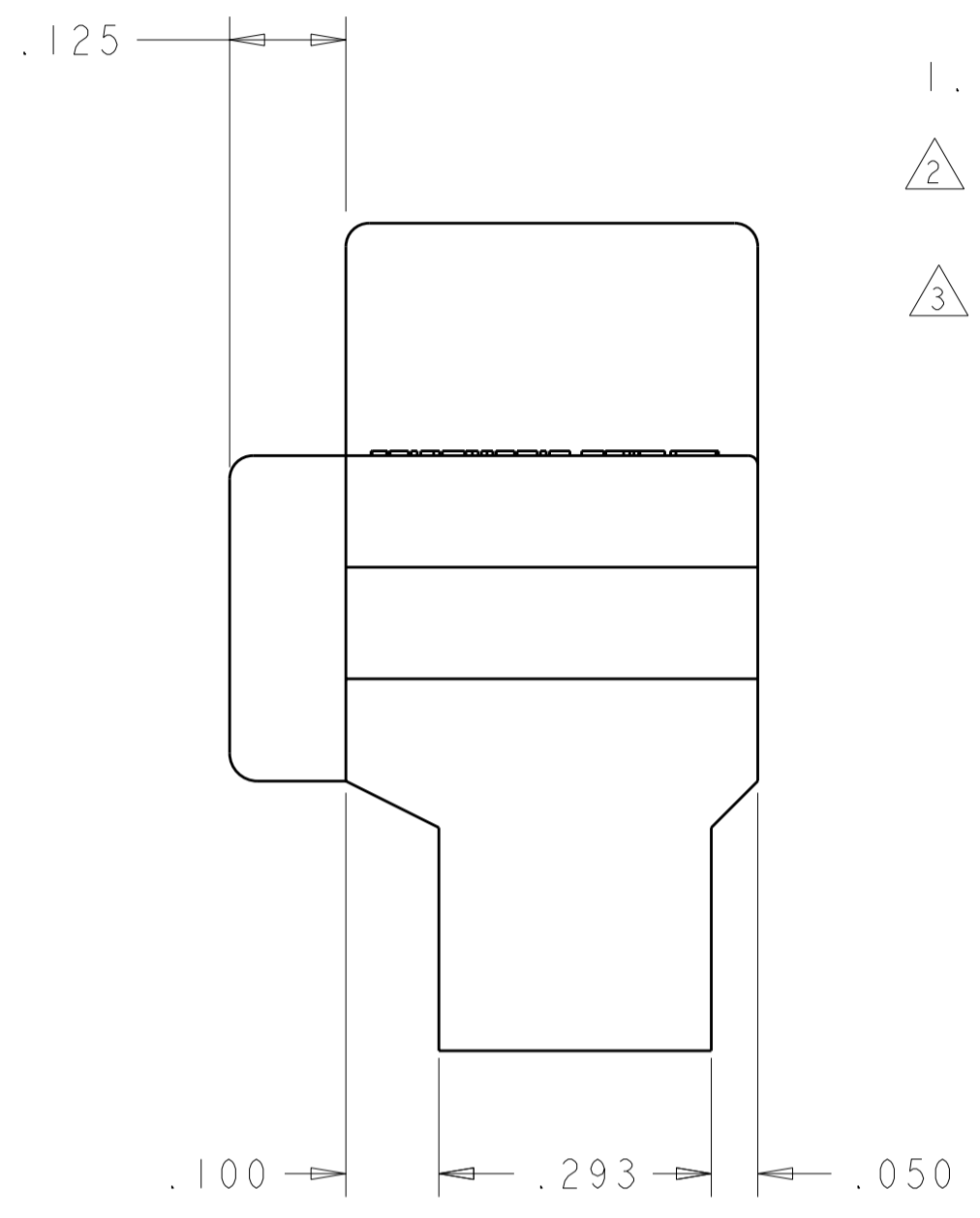
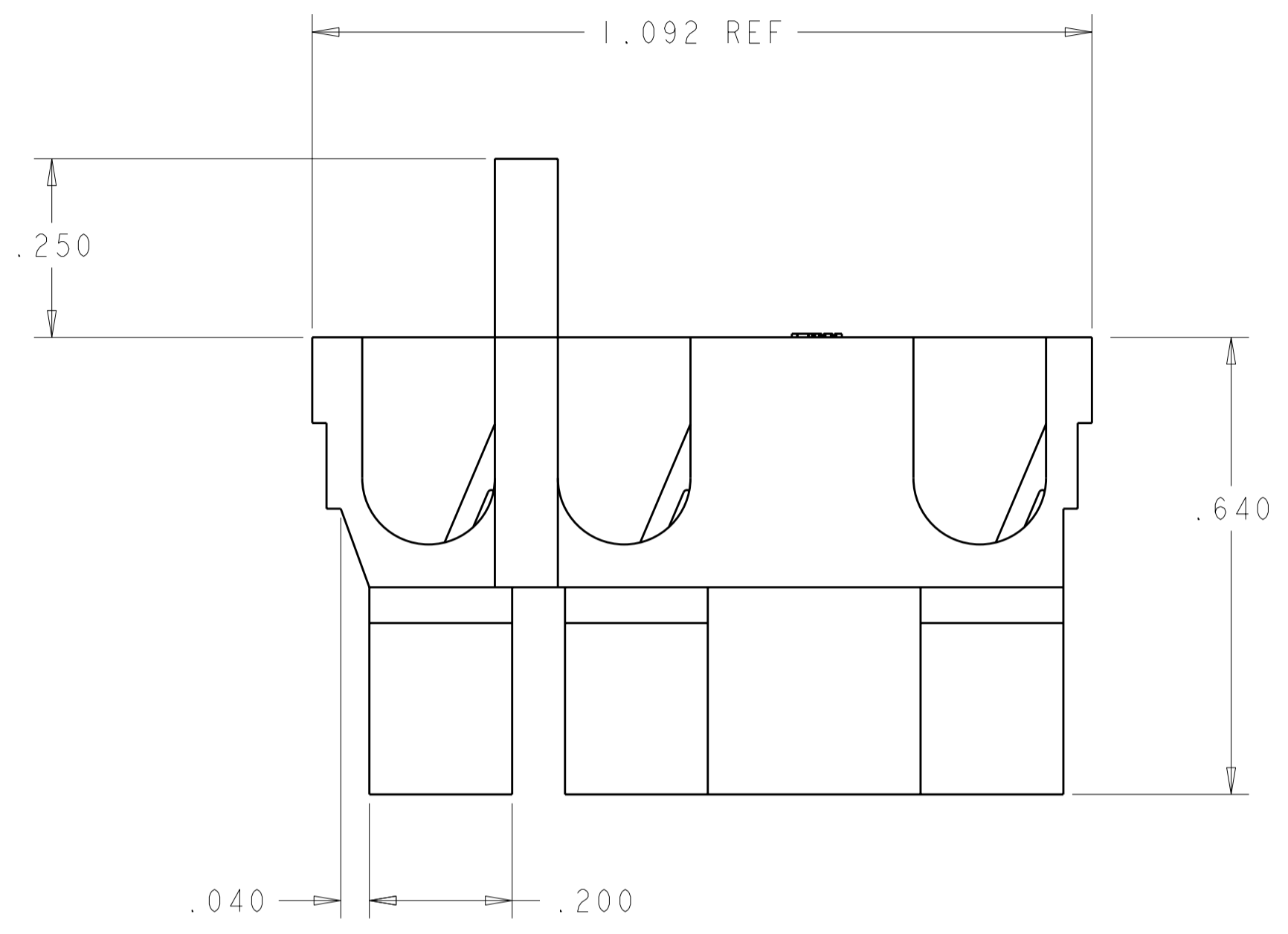
Email & Skype: info@chipsmall.com Web: www.chipsmall.com

Address: A1208, Overseas Decoration Building, #122 Zhenhua RD., Futian, Shenzhen, China

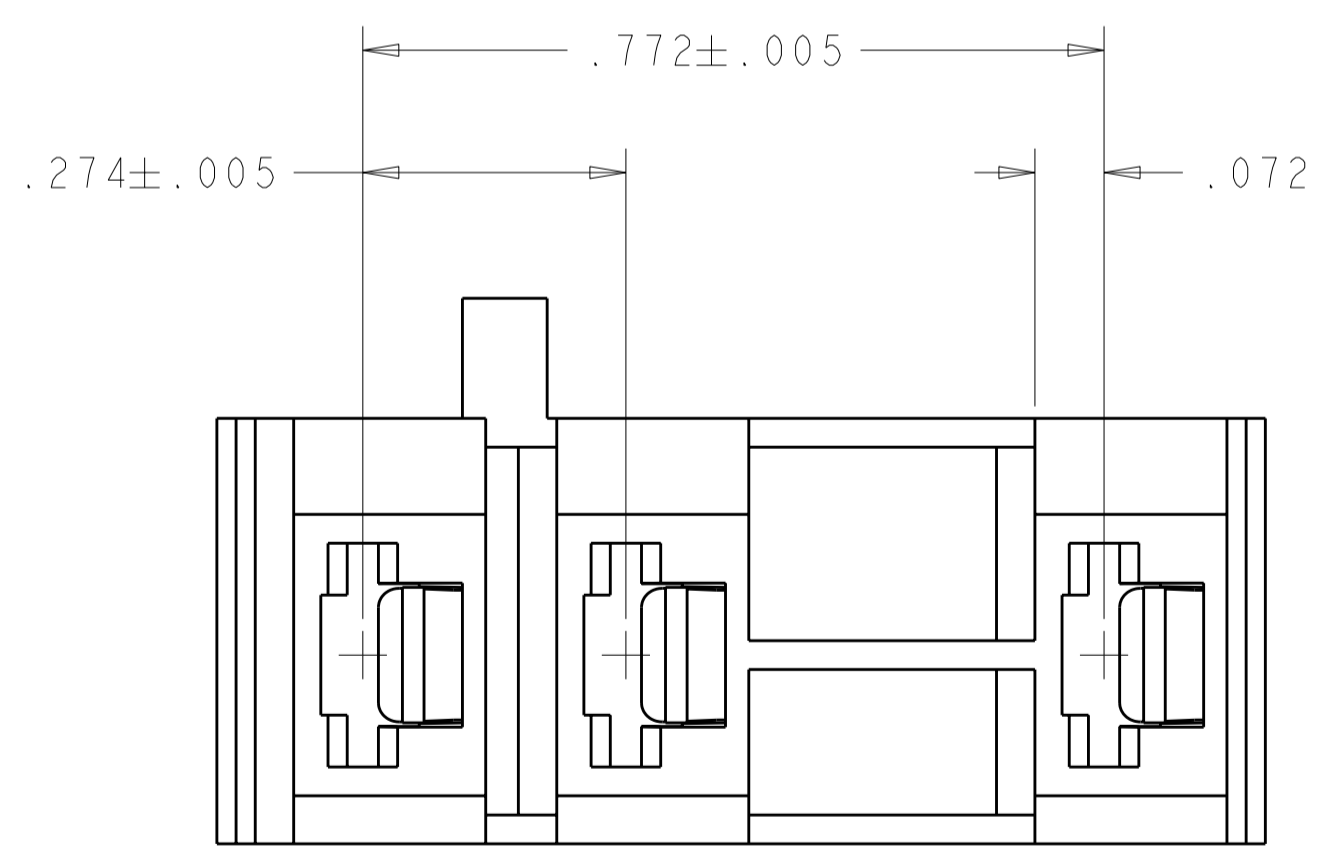
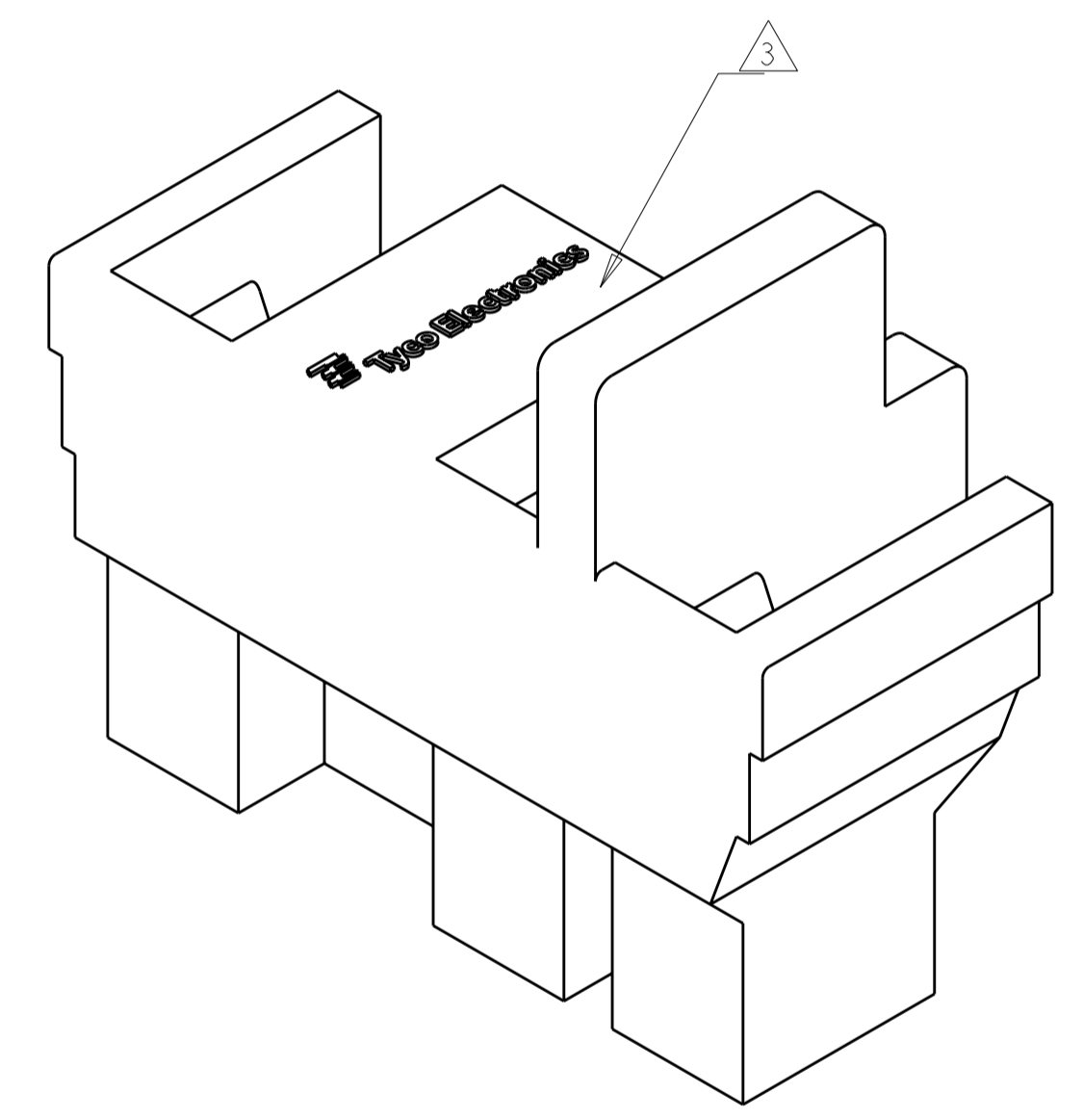


THIS DRAWING IS UNPUBLISHED. RELEASED FOR PUBLICATION 20
 © COPYRIGHT 20 BY TYCO ELECTRONICS CORPORATION. ALL RIGHTS RESERVED.

LOC	DIST	REVISIONS			
P	LTR	DESCRIPTION	DATE	DWN	APVD
AF	50	A1	REVISED PER ECR-09-015858	20JUL2009	HMR PD



- 1. MINIMUM TAB LENGTH .325
- 2. GLOW WIRE APPROVED MATERIAL, CONTACT TE ENGINEERING FOR SPECIFICATIONS
- 3. MATERIAL SYMBOL APPROX LOCATION AS SHOWN



NATURAL	6 NYLON, V-2	521787-2	2
NATURAL	NYLON 66, V0	521787-1	
COLOR	MATERIAL	PART NUMBER	

THIS DRAWING IS A CONTROLLED DOCUMENT FOR TYCO ELECTRONICS CORPORATION. IT IS SUBJECT TO CHANGE AND THE CONTROLLING ENGINEERING ORGANIZATION SHOULD BE CONTACTED FOR THE LATEST REVISION.		DWN	R FLAIG	09FEB2005	Tyco Electronics Harrisburg, PA 17105-3608	
DIMENSIONS: INCHES		CHK	P. DESANTIS	09FEB2005		
TOLERANCES UNLESS OTHERWISE SPECIFIED:		APVD	P. DESANTIS	09FEB2005		
0 PLC ± 1 PLC ± 2 PLC ± 3 PLC ±.010 4 PLC ± ANGLES ±2° FINISH		PRODUCT SPEC	-			
MATERIAL	-	APPLICATION SPEC	-		NAME	HOUSING, RECP, FLAG, FASTON, .187 SERIES
		WEIGHT	-		SIZE	A2
		CUSTOMER DRAWING			CAGE CODE	00779
					DRAWING NO	521787
					RESTRICTED TO	-
					SCALE	5:1
					SHEET	1
					OF	1
					REV	A1