



Chipsmall Limited consists of a professional team with an average of over 10 year of expertise in the distribution of electronic components. Based in Hongkong, we have already established firm and mutual-benefit business relationships with customers from,Europe,America and south Asia,supplying obsolete and hard-to-find components to meet their specific needs.

With the principle of “Quality Parts,Customers Priority,Honest Operation,and Considerate Service”,our business mainly focus on the distribution of electronic components. Line cards we deal with include Microchip,ALPS,ROHM,Xilinx,Pulse,ON,Everlight and Freescale. Main products comprise IC,Modules,Potentiometer,IC Socket,Relay,Connector.Our parts cover such applications as commercial,industrial, and automotives areas.

We are looking forward to setting up business relationship with you and hope to provide you with the best service and solution. Let us make a better world for our industry!



Contact us

Tel: +86-755-8981 8866 Fax: +86-755-8427 6832

Email & Skype: info@chipsmall.com Web: www.chipsmall.com

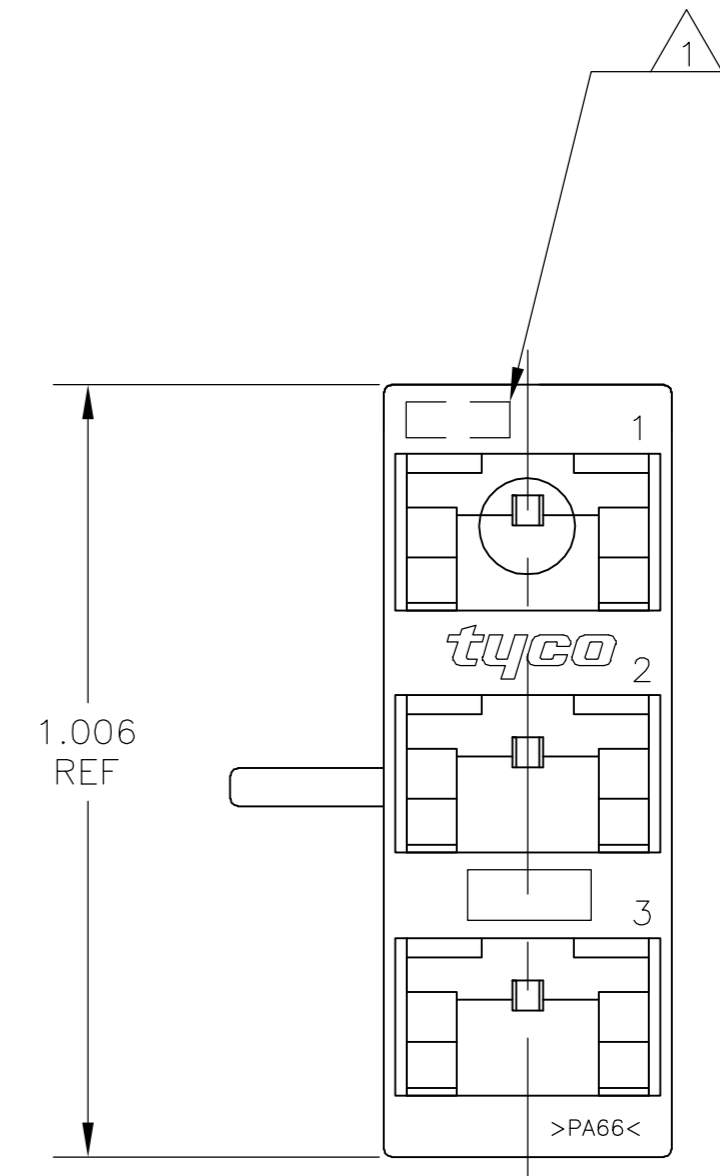
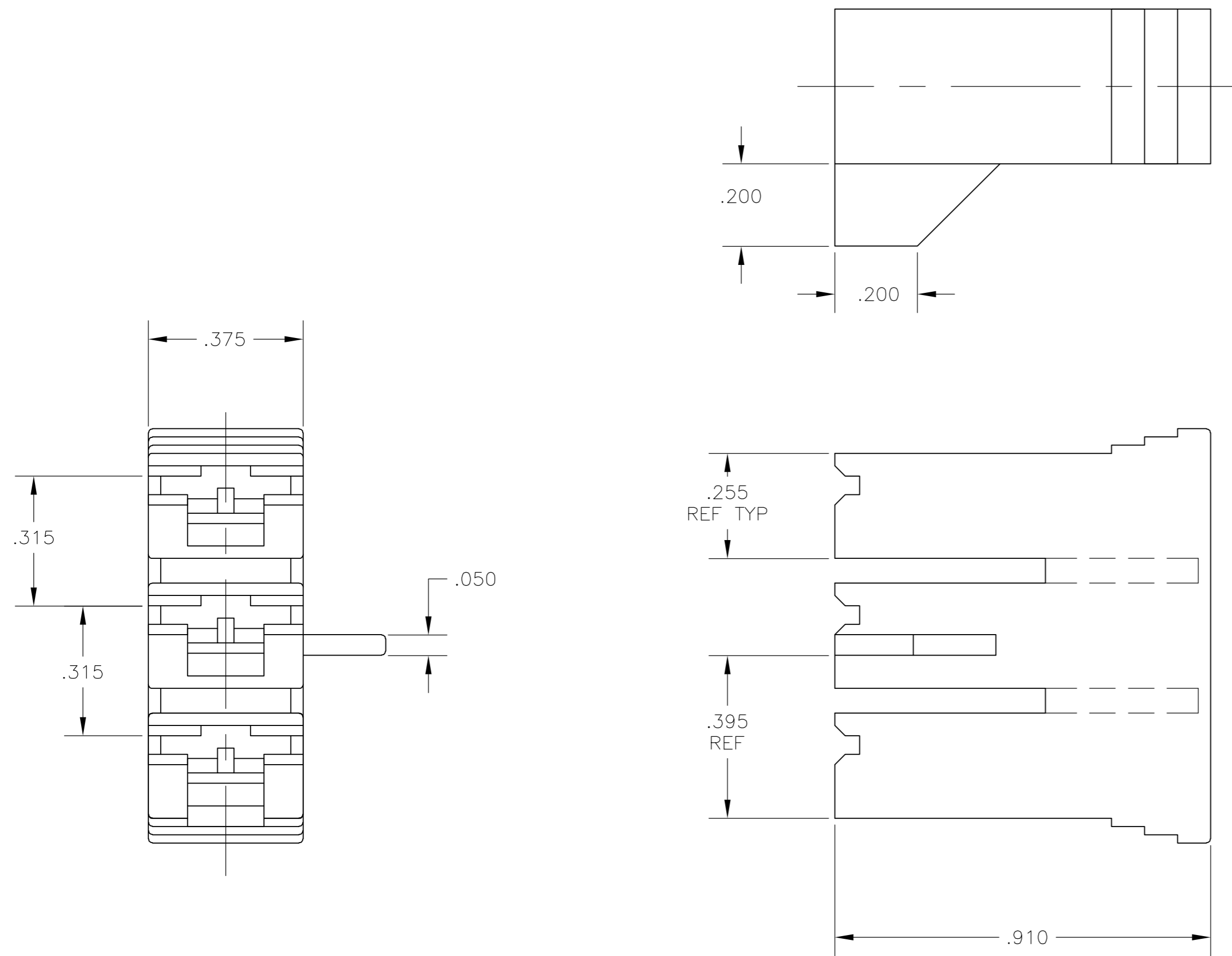
Address: A1208, Overseas Decoration Building, #122 Zhenhua RD., Futian, Shenzhen, China



THIS DRAWING IS UNPUBLISHED. RELEASED FOR PUBLICATION
 © COPYRIGHT BY TYCO ELECTRONICS CORPORATION. ALL RIGHTS RESERVED.

LOC	DIST	REVISIONS			
P	LTR	DESCRIPTION	DATE	DWN	APVD
AF	50	A1	REL PER ECR 05-010346	16SEP05	JR PD

△ 1 COUNTRY OF ORIGIN.



521825-1
PART NO

THIS DRAWING IS A CONTROLLED DOCUMENT.		DWN	jr ruth	07JUN05	 Tyco Electronics Corporation Harrisburg, PA 17105-3608
DIMENSIONS: INCHES		CHK	P DESANTIS	07JUN05	
TOLERANCES UNLESS OTHERWISE SPECIFIED:		APVD	P DESANTIS	07JUN05	
0 PLC ± - 1 PLC ± - 2 PLC ± - 3 PLC ± .010 4 PLC ± - ANGLES ± 5°		PRODUCT SPEC		NAME	
MATERIAL: 6/6 NYLON, V2		FINISH: NATURAL		HOUSING, RECEPTACLE, FASTON, .250 SERIES, 3 POSITION	
WEIGHT: -		SIZE	A2	CAGE CODE	00779
CUSTOMER DRAWING		DRAWING NO	C=521825		RESTRICTED TO
SCALE: 1:1		SHEET	1 of 1		REV
				A1	