



Chipsmall Limited consists of a professional team with an average of over 10 year of expertise in the distribution of electronic components. Based in Hongkong, we have already established firm and mutual-benefit business relationships with customers from,Europe,America and south Asia,supplying obsolete and hard-to-find components to meet their specific needs.

With the principle of “Quality Parts,Customers Priority,Honest Operation,and Considerate Service”,our business mainly focus on the distribution of electronic components. Line cards we deal with include Microchip,ALPS,ROHM,Xilinx,Pulse,ON,Everlight and Freescale. Main products comprise IC,Modules,Potentiometer,IC Socket,Relay,Connector.Our parts cover such applications as commercial,industrial, and automotives areas.

We are looking forward to setting up business relationship with you and hope to provide you with the best service and solution. Let us make a better world for our industry!



Contact us

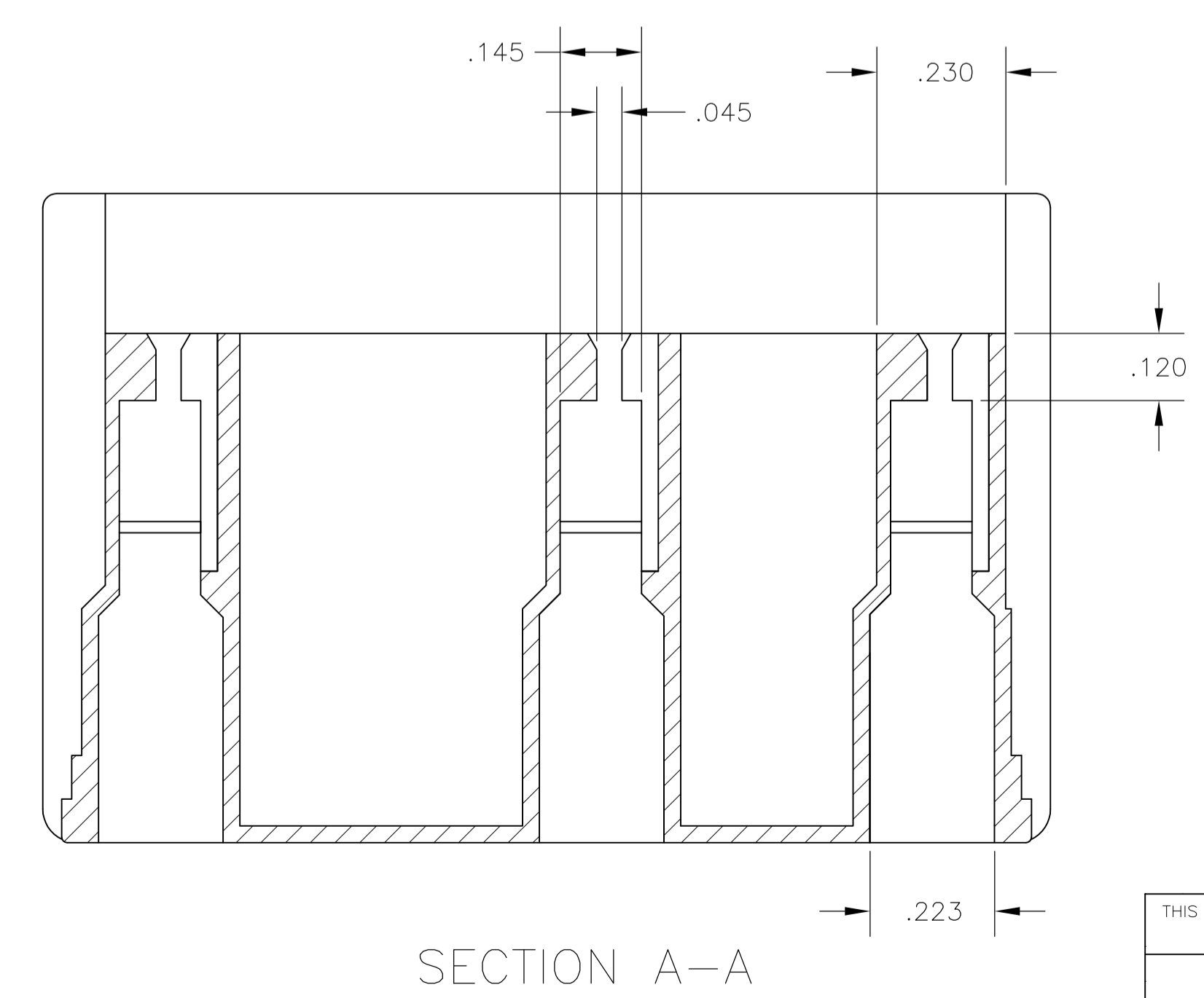
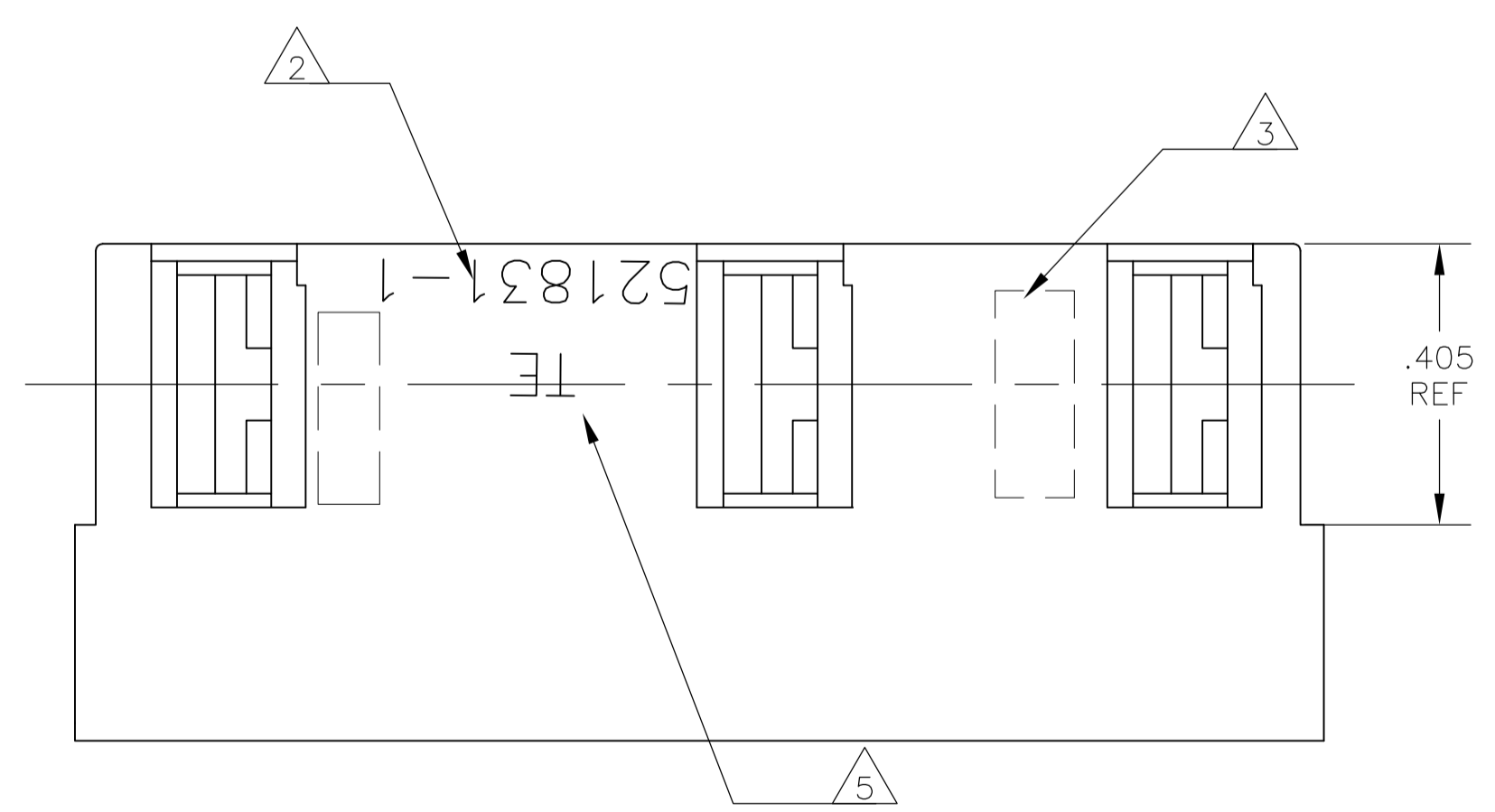
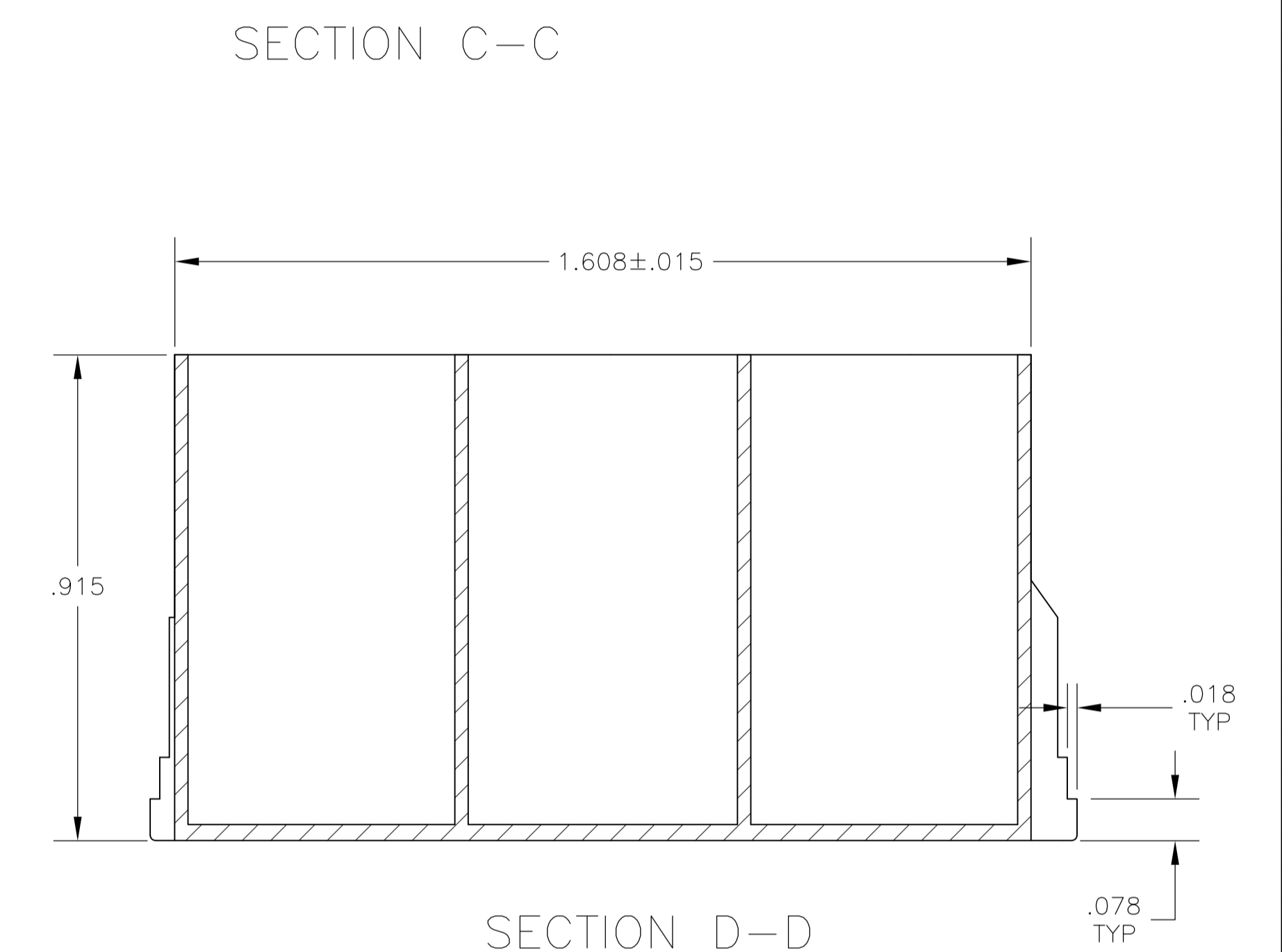
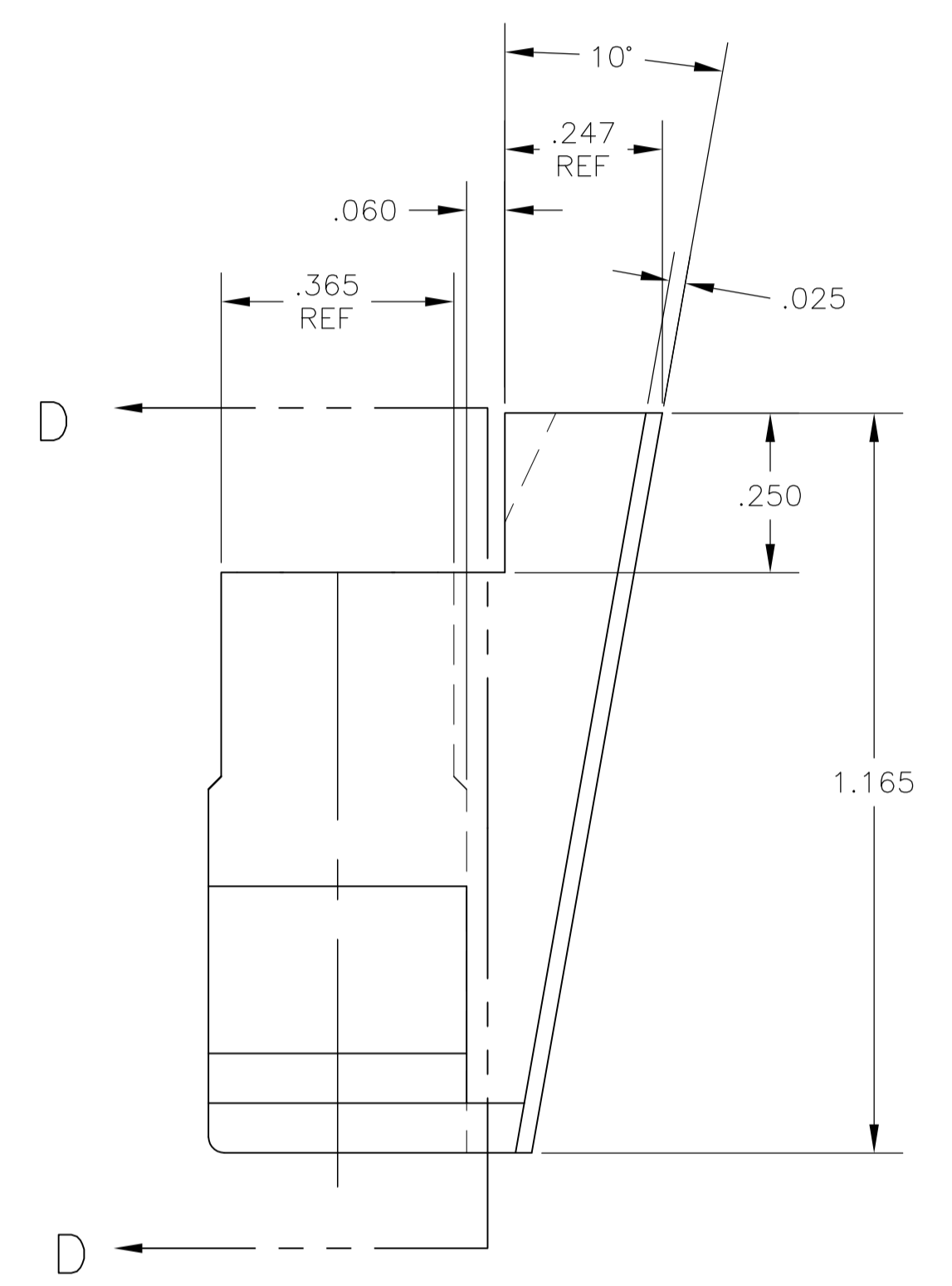
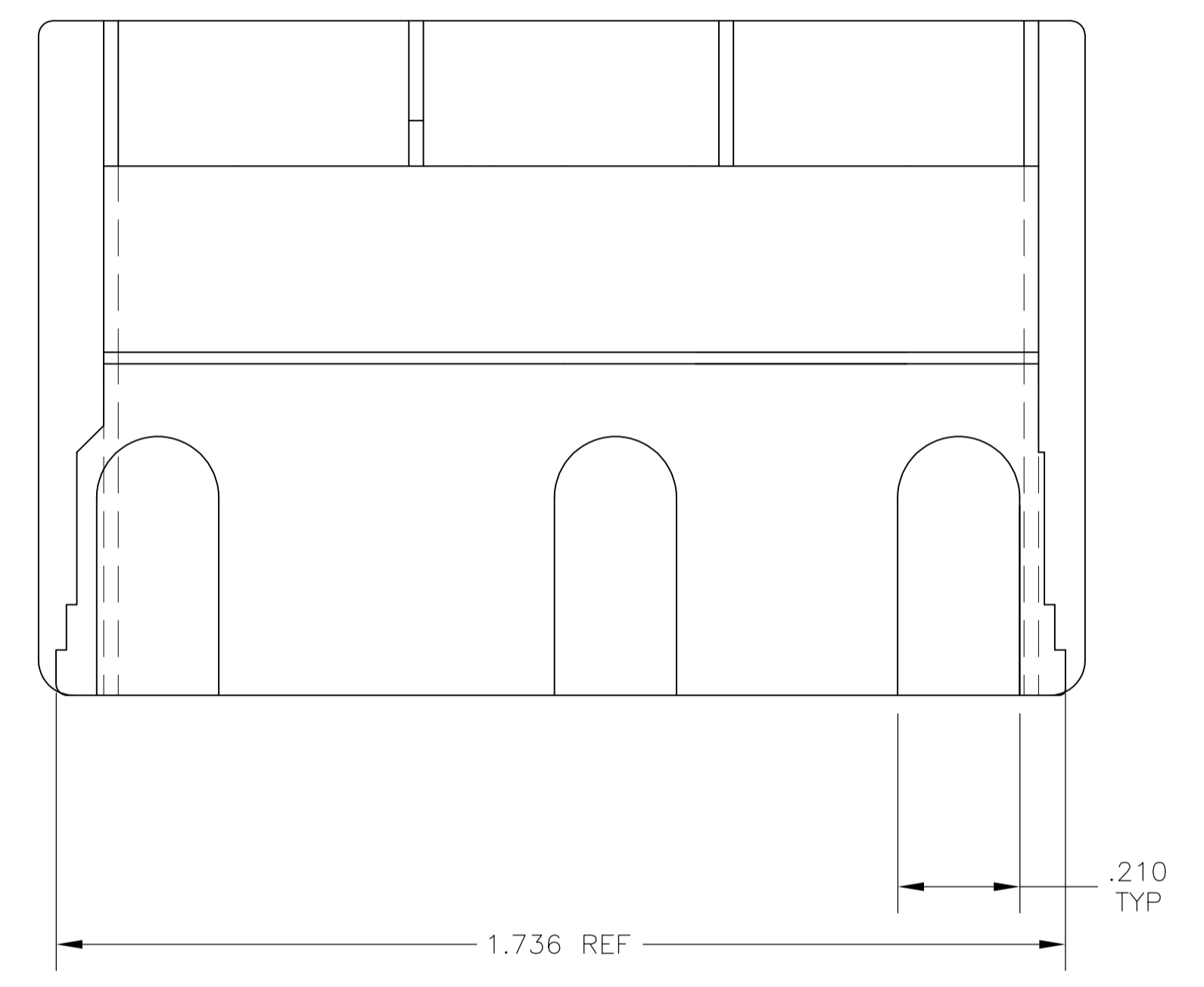
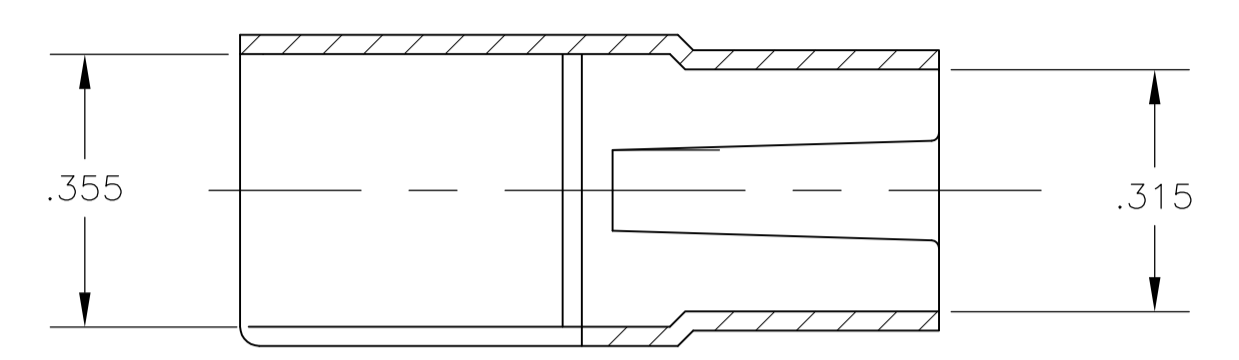
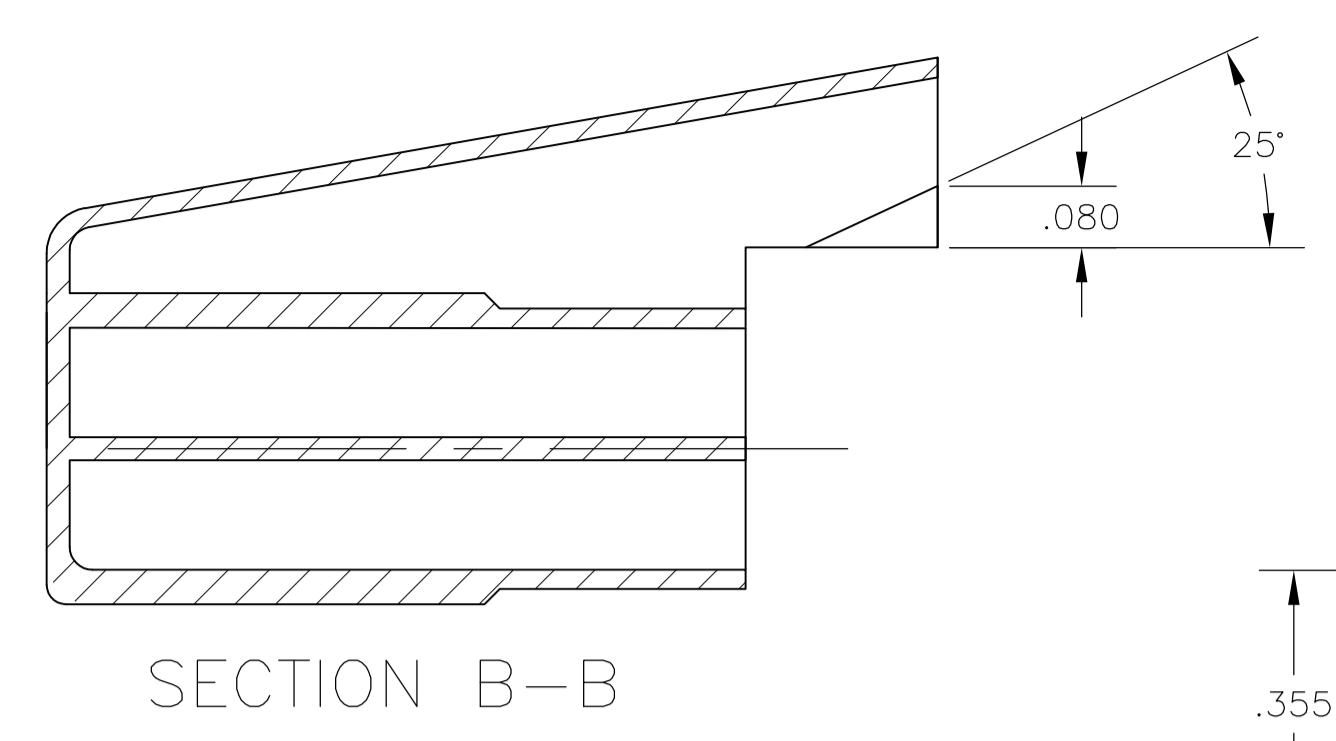
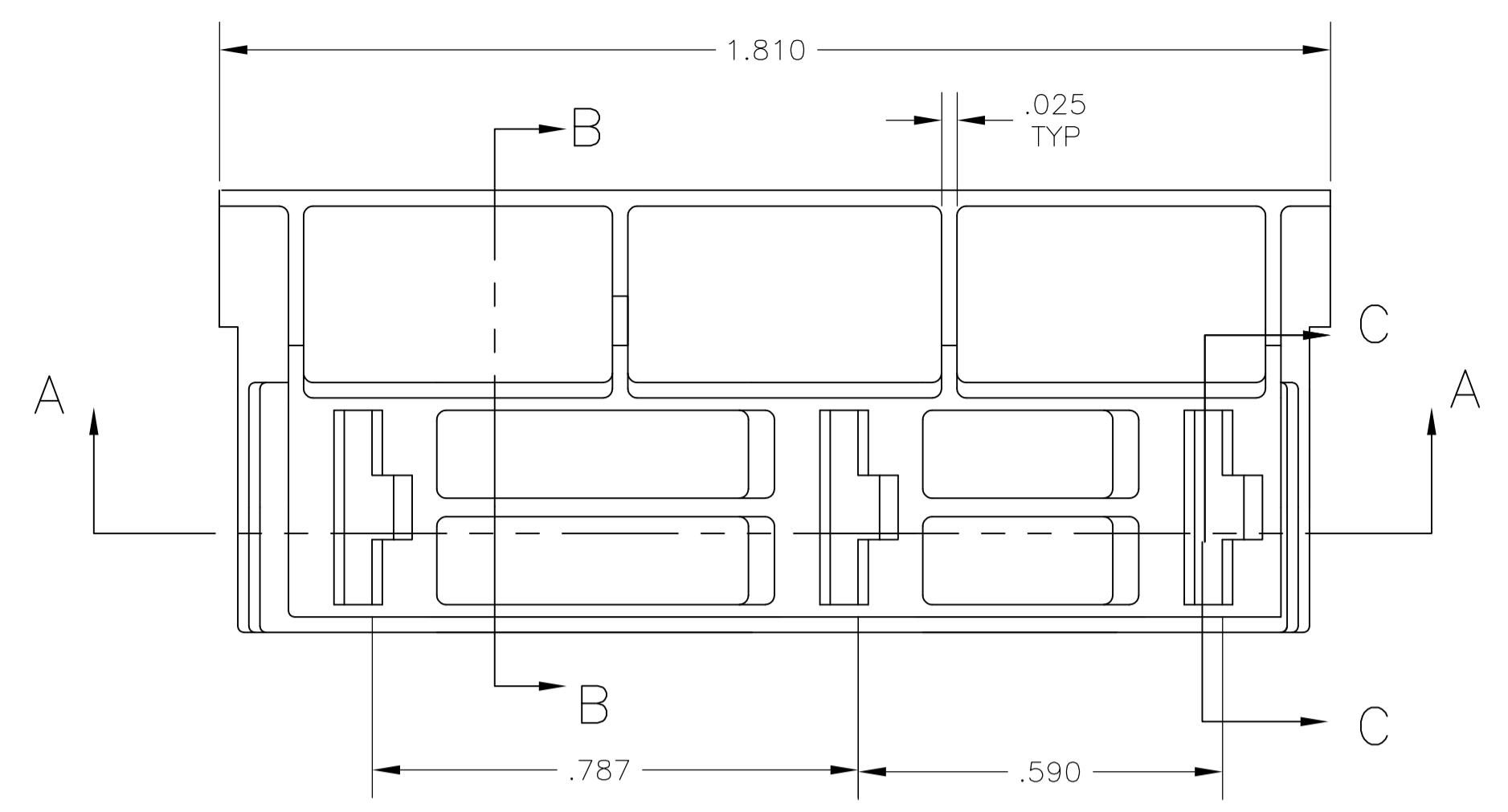
Tel: +86-755-8981 8866 Fax: +86-755-8427 6832

Email & Skype: info@chipsmall.com Web: www.chipsmall.com

Address: A1208, Overseas Decoration Building, #122 Zhenhua RD., Futian, Shenzhen, China



LOC		DIST		REVISIONS			
P	LTR	DESCRIPTION	DATE	DNW	APVD		
D		REVISED PER ECR-12-012872	24OCT12	KH	PD		



- 1 ALL 3 INTERNAL CAVITY ARE IDENTICAL.
- 2 TE LOGO, SIZE AND LOCATION APPROX AS SHOWN
- 3 DFE SYMBOL >PA66/6<, LOCATED APPROX AS SHOWN.
- 4 PART TO BE USED WITH TERMINAL 1742291-1
- 5 TE P/N, LOCATED APPROX AS SHOWN

521831-1
PART NO

THIS DRAWING IS A CONTROLLED DOCUMENT.		DIN jr_ruth 28JUN05		APVD K RANDOLPH 28JUN05		NAME HOUSING, RECEPTACLE, FASTIN-FASTON, .250 SERIES, 3 POSITION	
DIMENSIONS: INCHES		TOLERANCES UNLESS OTHERWISE SPECIFIED:		APPLICATION SPEC		SIZE CAGE CODE DRAWING NO	
0. PLC ± .010		1. PLC ± .010		WEIGHT		A1 00779 C=521831	
2. PLC ± .010		3. PLC ± .010		MATERIAL 66/6 NYLON, VD		FINISH COLOR - WHITE	
4. PLC ± .010		5. ANGLE ± 1°		CUSTOMER DRAWING		SCALE 1:1 SHEET 1 OF 1 REV D	