



Chipsmall Limited consists of a professional team with an average of over 10 year of expertise in the distribution of electronic components. Based in Hongkong, we have already established firm and mutual-benefit business relationships with customers from,Europe,America and south Asia,supplying obsolete and hard-to-find components to meet their specific needs.

With the principle of “Quality Parts,Customers Priority,Honest Operation,and Considerate Service”,our business mainly focus on the distribution of electronic components. Line cards we deal with include Microchip,ALPS,ROHM,Xilinx,Pulse,ON,Everlight and Freescale. Main products comprise IC,Modules,Potentiometer,IC Socket,Relay,Connector.Our parts cover such applications as commercial,industrial, and automotives areas.

We are looking forward to setting up business relationship with you and hope to provide you with the best service and solution. Let us make a better world for our industry!



Contact us

Tel: +86-755-8981 8866 Fax: +86-755-8427 6832

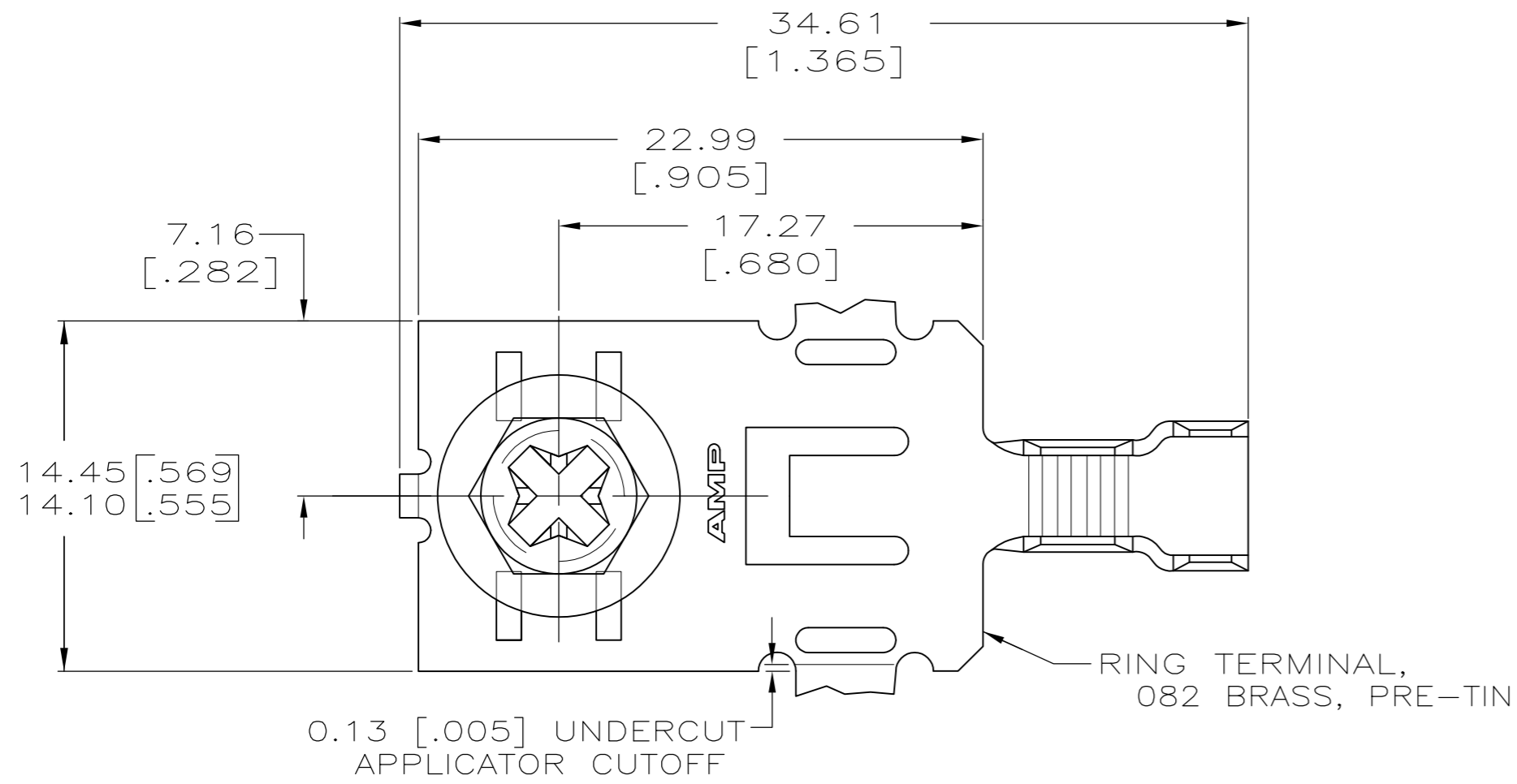
Email & Skype: info@chipsmall.com Web: www.chipsmall.com

Address: A1208, Overseas Decoration Building, #122 Zhenhua RD., Futian, Shenzhen, China

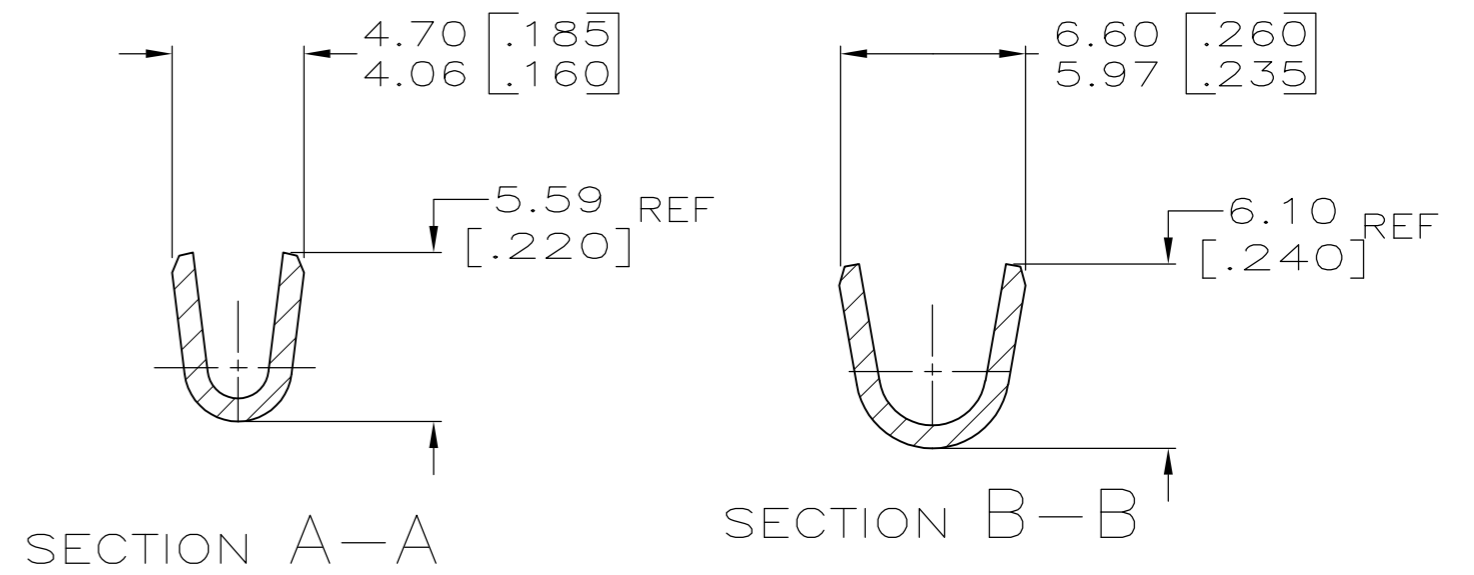
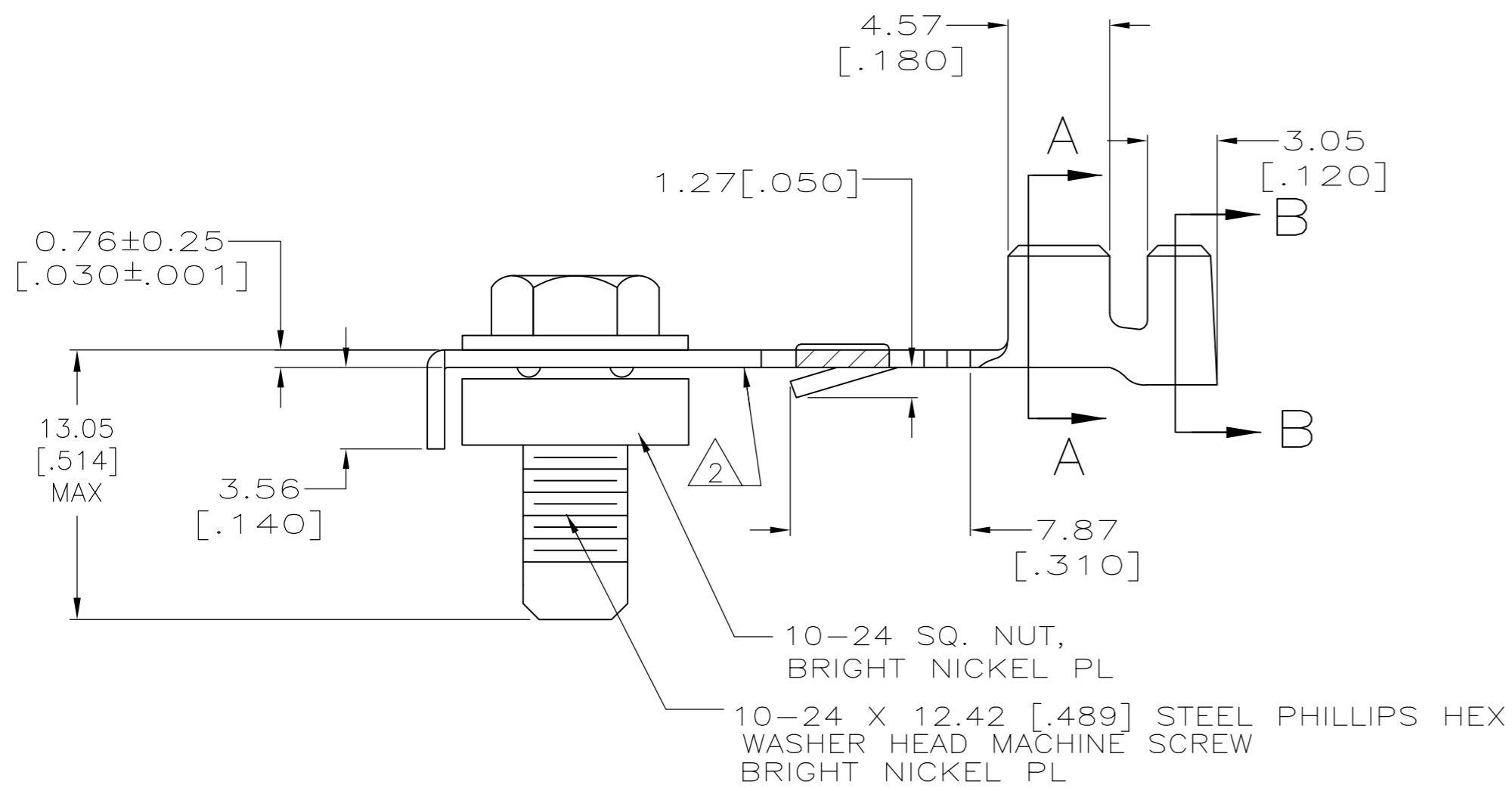


THIS DRAWING IS UNPUBLISHED. RELEASED FOR PUBLICATION
 © COPYRIGHT - By - ALL RIGHTS RESERVED.

| REVISIONS | | | | | |
|-----------|-----|---------------------------|---------|-----|------|
| P | LTR | DESCRIPTION | DATE | DWN | APVD |
| B1 | | REVISED PER ECR-11-025318 | 19DEC11 | KH | GJ |
| B2 | | REVISED PER ECR-17-002254 | 16FEB17 | ST | TD |



- 1 CONTINUOUS STRIP ON REEL.
- 2 VERTICAL BURRS NOT TO EXCEED 0.13 [.005] ALONG THIS EDGE.
- 3 BACK OUT TORQUE OF SCREW TO BE A MIN OF 5 INCH LBS AND A MAX OF 25 INCH LBS.
- 4 REFERENCE APPLICATOR LOG SHEET FOR CRIMP INFORMATION.
- 5 PART TO HAVE HARDENED NUTS



| | | |
|---------------------------|-------------|-------------|
| 2.79-4.06 [.110-.160] DIA | #16-#12 AWG | 521843-1 |
| INSULATION RANGE | WIRE RANGE | PART NUMBER |

| | | | | | |
|--|----------------------|----------------------------|------------------------------------|-----------------|---------------------|
| THIS DRAWING IS A CONTROLLED DOCUMENT. | | DWN JR RUTH 13SEP05 | TE TE Connectivity | | |
| DIMENSIONS: mm [INCHES] | | CHK DONALD DECKER 13SEP05 | | | |
| TOLERANCES UNLESS OTHERWISE SPECIFIED: | | APVD DONALD DECKER 13SEP05 | NAME | | |
| 0 PLC ± - | 1 PLC ± - | PRODUCT SPEC 108-1191 | TERMINAL, SUB-ASSEMBLY, POWER RING | | |
| 2 PLC ± 0.38[.015] | 3 PLC ± - | APPLICATION SPEC 114-2087 | SIZE A2 | CAGE CODE 00779 | DRAWING NO C=521843 |
| 4 PLC ± - | ANGLES ± - | FINISH SEE COMPONENT | WEIGHT 0.000000 | RESTRICTED TO - | |
| MATERIAL SEE COMPONENT | FINISH SEE COMPONENT | CUSTOMER DRAWING | SCALE 4:1 | SHEET 1 OF 1 | REV B2 |