



Chipsmall Limited consists of a professional team with an average of over 10 year of expertise in the distribution of electronic components. Based in Hongkong, we have already established firm and mutual-benefit business relationships with customers from,Europe,America and south Asia,supplying obsolete and hard-to-find components to meet their specific needs.

With the principle of “Quality Parts,Customers Priority,Honest Operation,and Considerate Service”,our business mainly focus on the distribution of electronic components. Line cards we deal with include Microchip,ALPS,ROHM,Xilinx,Pulse,ON,Everlight and Freescale. Main products comprise IC,Modules,Potentiometer,IC Socket,Relay,Connector.Our parts cover such applications as commercial,industrial, and automotives areas.

We are looking forward to setting up business relationship with you and hope to provide you with the best service and solution. Let us make a better world for our industry!



Contact us

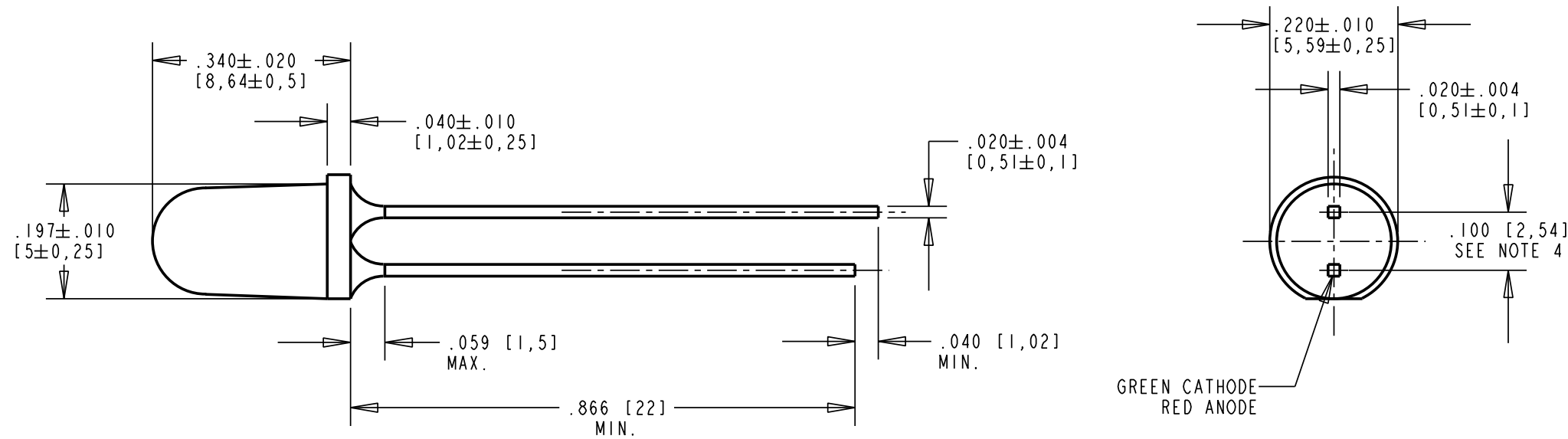
Tel: +86-755-8981 8866 Fax: +86-755-8427 6832

Email & Skype: info@chipsmall.com Web: www.chipsmall.com

Address: A1208, Overseas Decoration Building, #122 Zhenhua RD., Futian, Shenzhen, China



REV	ECN NO	REVISIONS	DRN	CKD	APP	DATE
A	—	NEW RELEASE	TC			



NOTES:

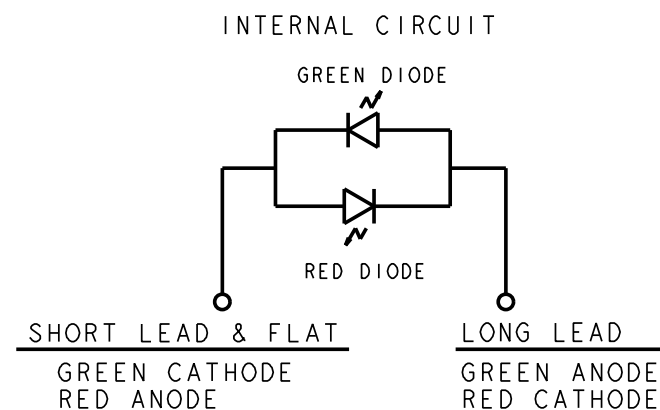
- PANEL MOUNTING - ORDER 515-0005 SNAP-IN MOUNT.
- GaP GREEN/RED AlGaAs
- WHITE DIFFUSED EPOXY BODY.
- LEADS SPACING MEASURED NEAR EPOXY PACKAGE.
- SOLDER DIP MILD STEEL LEADS.
- THIS ASSEMBLY CONTAINS ELECTROSTATIC DISCHARGE SENSITIVE DEVICES (ESDS). MAINTAIN ALL PRECAUTIONARY MEASURES DURING ASSEMBLY, HANDLING AND STORAGE IN ACCORDANCE WITH IPC-A-610.
- DIALIGHT PART NO. 521-9462F
- PART NUMBER WITH "F" SUFFIX ENDING IS RoHS COMPLIANT. THE BAG PACKAGING IS MARKED WITH "RoHS COMPLIANT" LABEL OR EQUIVALENT MARKINGS. PART CAN BE WAVE SOLDERED, DIP SOLDERED OR HAND SOLDERED USING TYPICAL LEAD-FREE SOLDERING PROCESS WITH MAX. 260°C TEMPERATURE FOR 5 SEC.

OPERATING CHARACTERISTICS AT 25 °C AMBIENT

LED CHARACTERISTICS	COLOR	MIN.	TYP.	MAX.	UNITS	TEST CONDITIONS
LUMINOUS INTENSITY	RED GREEN	29 12.6	90 40		mcd	$I_f = 20 \text{ mA}$
FORWARD VOLTAGE	RED GREEN		1.8 2.1	2.4 2.8	V	$I_f = 20 \text{ mA}$
REVERSE CURRENT	RED GREEN			100	μA	$V_R = 5 \text{ V}$
PEAK WAVELENGTH (λ_p)	RED GREEN		660 565		nm	
VIEWING ANGLE (2θ 1/2)	RED GREEN		60		deg.	
CAPACITANCE	RED GREEN		30 35		pF	$V_f = 0; f = 1 \text{ MHz}$

ABSOLUTE MAXIMUM RATINGS AT 25 °C AMBIENT

	RED	GREEN	UNITS
POWER DISSIPATION	100	100	mW
DERATE LINEARLY FROM 50 °C	0.5	0.4	$\text{mA}/^\circ\text{C}$
CONTINUOUS FORWARD CURRENT	40	30	mA
PEAK FORWARD CURRENT (1/10 DUTY CYCLE, 0.1 ms PULSE WIDTH)	200	120	mA
REVERSE VOLTAGE	4	5	V
LEAD SOLDERING TEMPERATURE, 5 SEC., 1/16" FROM BODY	260		$^\circ\text{C}$
OPERATING TEMPERATURE	-55 TO +100		$^\circ\text{C}$
STORAGE TEMPERATURE	-55 TO +100		$^\circ\text{C}$



ATTENTION:
OBSERVE PRECAUTIONS FOR
HANDLING ELECTROSTATIC
SENSITIVE DEVICES

THIS DRAWING AND THE CONTENTS HEREIN ARE CONFIDENTIAL AND THE SOLE PROPERTY OF DIALIGHT. REPRODUCTION OF THIS DRAWING OR CONSTRUCTION OF ANY PARTS WITHIN THIS DRAWING ARE FORBIDDEN WITHOUT THE WRITTEN CONSENT OF DIALIGHT.		
SCALE: DRAWING SCALE ALL DIM'S IN: INCHES (MM)	DRAWING NUMBER C-17453	REV A
TOLERANCES: UNLESS OTHERWISE SPECIFIED	TITLE 5mm R/G BI-COLOR LED RoHS COMPLIANT	
FRACTIONS: $\pm 1/64$ DECIMALS (.XX): $\pm .01$ DECIMALS (.XXX): $\pm .005$ DECIMALS (.XXXX): $\pm .0005$ ANGLES: $\pm 1^\circ$	MATERIAL	
FINISH:	Dialight 1501 ROUTE 34 SOUTH FARMINGDALE, NJ 07727	
FSCM 83330	SHEET 1 OF 1 FAMILY TABLE:	