



Chipsmall Limited consists of a professional team with an average of over 10 year of expertise in the distribution of electronic components. Based in Hongkong, we have already established firm and mutual-benefit business relationships with customers from,Europe,America and south Asia,supplying obsolete and hard-to-find components to meet their specific needs.

With the principle of “Quality Parts,Customers Priority,Honest Operation,and Considerate Service”,our business mainly focus on the distribution of electronic components. Line cards we deal with include Microchip,ALPS,ROHM,Xilinx,Pulse,ON,Everlight and Freescale. Main products comprise IC,Modules,Potentiometer,IC Socket,Relay,Connector.Our parts cover such applications as commercial,industrial, and automotives areas.

We are looking forward to setting up business relationship with you and hope to provide you with the best service and solution. Let us make a better world for our industry!



## Contact us

Tel: +86-755-8981 8866 Fax: +86-755-8427 6832

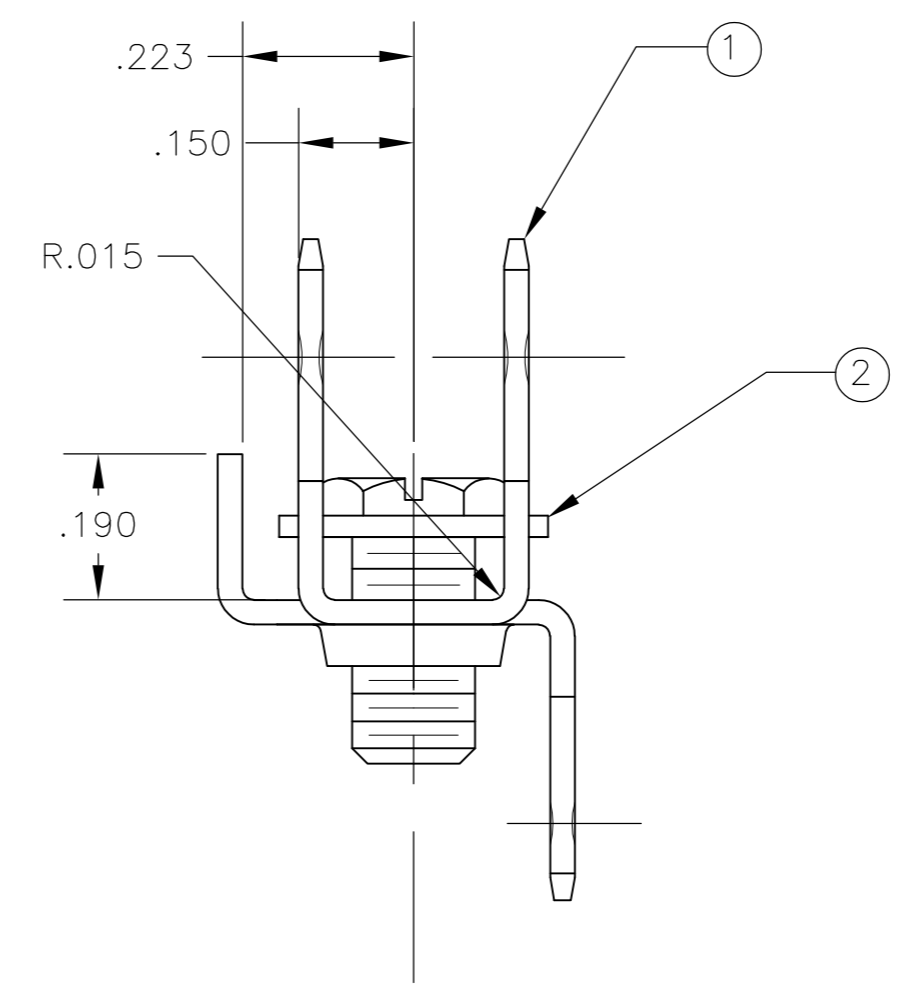
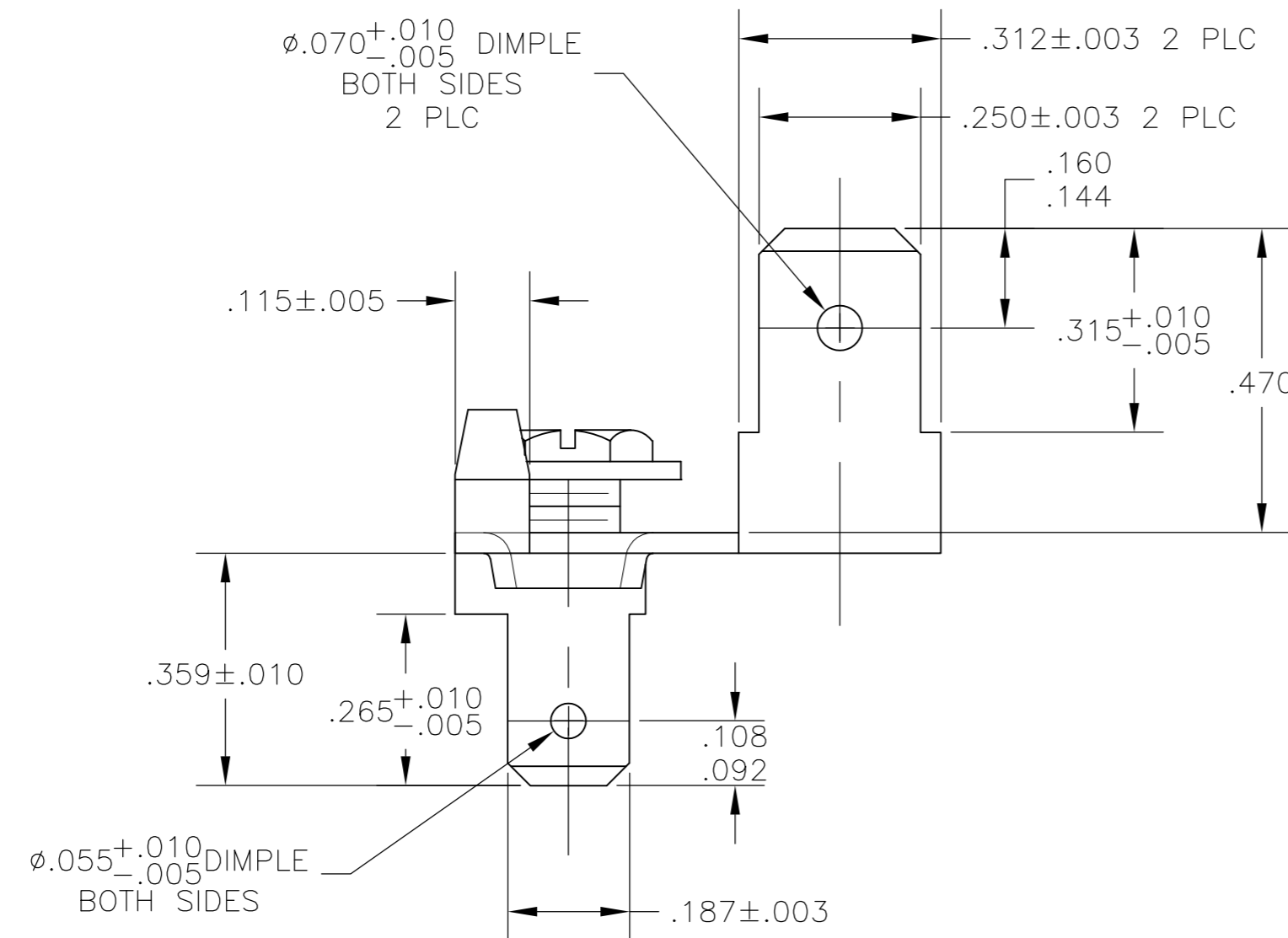
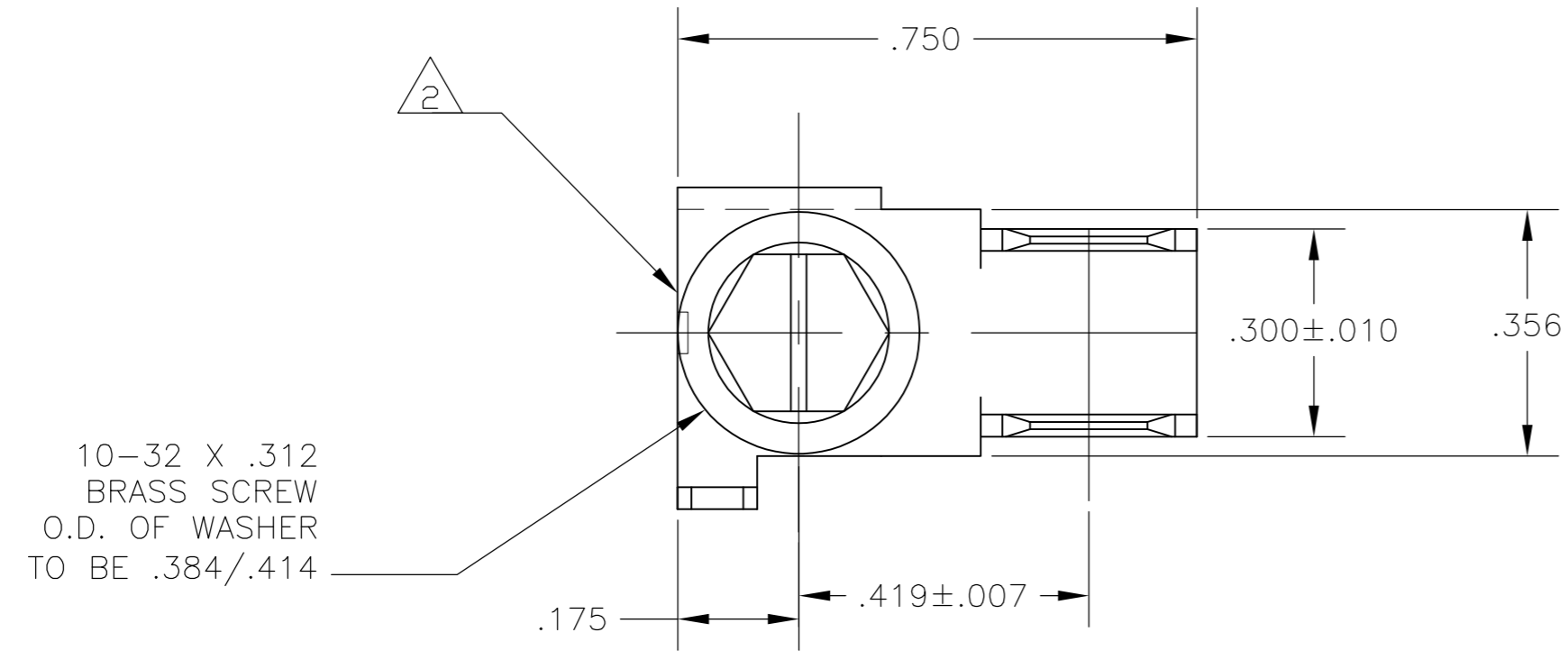
Email & Skype: info@chipsmall.com Web: www.chipsmall.com

Address: A1208, Overseas Decoration Building, #122 Zhenhua RD., Futian, Shenzhen, China



THIS DRAWING IS UNPUBLISHED. RELEASED FOR PUBLICATION  
 © COPYRIGHT BY TYCO ELECTRONICS CORPORATION. ALL RIGHTS RESERVED.

LOC	DIST	REVISIONS			
P	LTR	DESCRIPTION	DATE	DWN	APVD
AF	14	A1	REL PER ECR 07-014045	14JUN07	JR JK



- 1 MATERIAL: .032±.001 THK BRASS, 100-86, HEAT TREAT 0.082
- 2 .010 MAX CUT-OFF ALLOWED
- 3 ASSEMBLY SCREW AND TORQUE 2-8 LB-IN
- 4 THREADS DEFORMED SO AS NOT TO ALLOW REMOVAL OF THE SCREW.
- 5 PART TO BE CLEAN AND OIL FREE
- 6 MATERIAL: HEX HEAD WASHER .394 DIA, #10-32 .312 LONG. BRASS SCREW ( ELECTRICAL TYPE )
- 7 MATERIAL: HEX HEAD WASHER .394 DIA, #10-32 .312 LONG. BRASS SCREW ( ELECTRICAL TYPE ) BRIGHT NICKEL FINISH

1	7	-	1	1	T20737542	FASTON TAB ASSEMBLY NICKEL PLATED BRASS SCREW	521948-2
-	1	6	1	1	T20737542	FASTON TAB ASSEMBLY BRASS SCREW	521948-1
SCREW 1742447-2	2	SCREW 1742447-1	2	FASTON TAB 1742446-1	1	EMERSON P/N	DESCRIPTION
						PART NO.	

THIS DRAWING IS A CONTROLLED DOCUMENT.		DWN	JR RUTH	10JUL06	Tyco Electronics Corporation Harrisburg, Pa 17105-3608			
DIMENSIONS: INCHES		CHK	K RANDOLPH	10JUL06				
TOLERANCES UNLESS OTHERWISE SPECIFIED:		APVD	K RANDOLPH	10JUL06				
0 PLC ± - 1 PLC ± - 2 PLC ± - 3 PLC ± .005 4 PLC ± - ANGLES ± 1° FINISH -		NAME		ASSEMBLY, TAB, FASTON, .250 AND 187 SERIES				
MATERIAL		PRODUCT SPEC		APPLICATION SPEC	SIZE	CAGE CODE	DRAWING NO	RESTRICTED TO
		WEIGHT		-	A2	00779	C=521948	-
		CUSTOMER DRAWING		SCALE	4:1	SHEET	1 OF 1	REV
								A1

521948