



Chipsmall Limited consists of a professional team with an average of over 10 year of expertise in the distribution of electronic components. Based in Hongkong, we have already established firm and mutual-benefit business relationships with customers from,Europe,America and south Asia,supplying obsolete and hard-to-find components to meet their specific needs.

With the principle of “Quality Parts,Customers Priority,Honest Operation,and Considerate Service”,our business mainly focus on the distribution of electronic components. Line cards we deal with include Microchip,ALPS,ROHM,Xilinx,Pulse,ON,Everlight and Freescale. Main products comprise IC,Modules,Potentiometer,IC Socket,Relay,Connector.Our parts cover such applications as commercial,industrial, and automotives areas.

We are looking forward to setting up business relationship with you and hope to provide you with the best service and solution. Let us make a better world for our industry!



Contact us

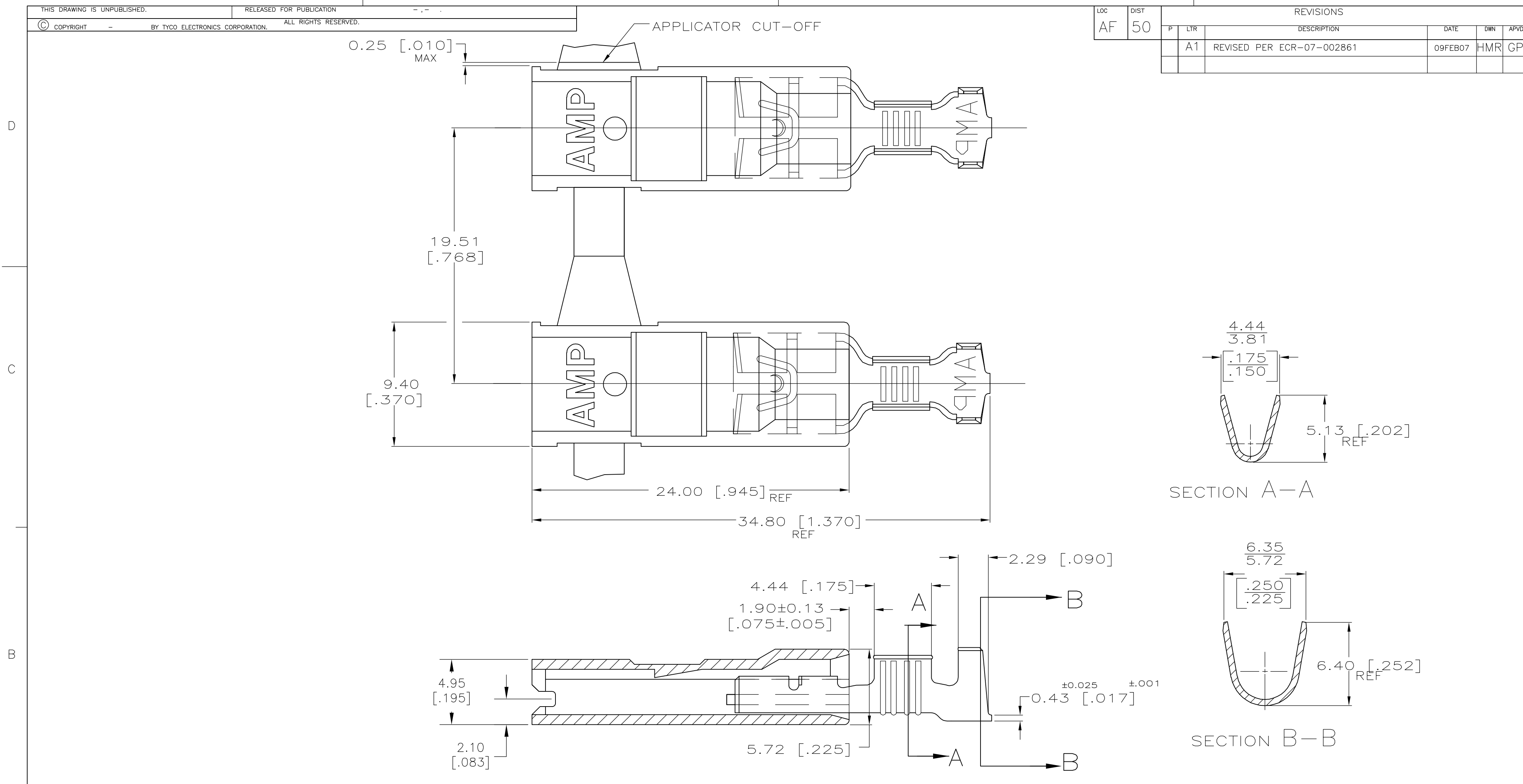
Tel: +86-755-8981 8866 Fax: +86-755-8427 6832

Email & Skype: info@chipsmall.com Web: www.chipsmall.com

Address: A1208, Overseas Decoration Building, #122 Zhenhua RD., Futian, Shenzhen, China



LOC	DIST	REVISIONS			
P	LTR	DESCRIPTION	DATE	DWN	APVD
AF	50	A1	REVISED PER ECR-07-002861	09FEB07	HMR GP



- 1 LOW-INSERTION FASTON TERMINALS, BASE P/N 63639, ARE USED IN THIS PRODUCT.
- 2 0.002032 [.000080] MIN TIN PER MIL-T-10727.
- 3 MATERIAL: HOUSING 4/6 NYLON
TERMINAL - 4M BRASS
- 4 FINISH: HOUSING - COLOR, BLACK
TERMINAL - SEE TABLE
- 5 PRELIMINARY - NOT FOR PRODUCTION

2 TIN PLATED	3.30-4.57 [.130-.180]	2.0-5.0 mm [14-10]	0.813 [.032]	521973-2
PLAIN				521973-1 5
TERMINAL FINISH	INSULATION RANGE	WIRE SIZE	MATING TAB THK ±0.025 [±.001]	PART NO.
THIS DRAWING IS A CONTROLLED DOCUMENT.		DWN G.PORTA 300CT06	Tyco Electronics Corporation Harrisburg, Pa 17105-3608	
DIMENSIONS: mm [INCHES]		CHK -	ASSEMBLY, RECEPTACLE, ULTRA-POD, 6.35 [.250] SERIES	
TOLERANCES UNLESS OTHERWISE SPECIFIED:		APVD -	NAME	
0 PLC ± -	1 PLC ± -	PRODUCT SPEC 108-1285	SIZE CAGE CODE DRAWING NO	
2 PLC ± -	3 PLC ± 0.25 [.010]	APPLICATION SPEC 114-2124	RESTRICTED TO	
4 PLC ± -	ANGLES ± -	WEIGHT -	A2 00779 G-521973	
MATERIAL 3	FINISH 4	CUSTOMER DRAWING	SCALE 5:1	SHEET 1 OF 1 REV A1