



Chipsmall Limited consists of a professional team with an average of over 10 year of expertise in the distribution of electronic components. Based in Hongkong, we have already established firm and mutual-benefit business relationships with customers from,Europe,America and south Asia,supplying obsolete and hard-to-find components to meet their specific needs.

With the principle of “Quality Parts,Customers Priority,Honest Operation,and Considerate Service”,our business mainly focus on the distribution of electronic components. Line cards we deal with include Microchip,ALPS,ROHM,Xilinx,Pulse,ON,Everlight and Freescale. Main products comprise IC,Modules,Potentiometer,IC Socket,Relay,Connector.Our parts cover such applications as commercial,industrial, and automotives areas.

We are looking forward to setting up business relationship with you and hope to provide you with the best service and solution. Let us make a better world for our industry!



Contact us

Tel: +86-755-8981 8866 Fax: +86-755-8427 6832

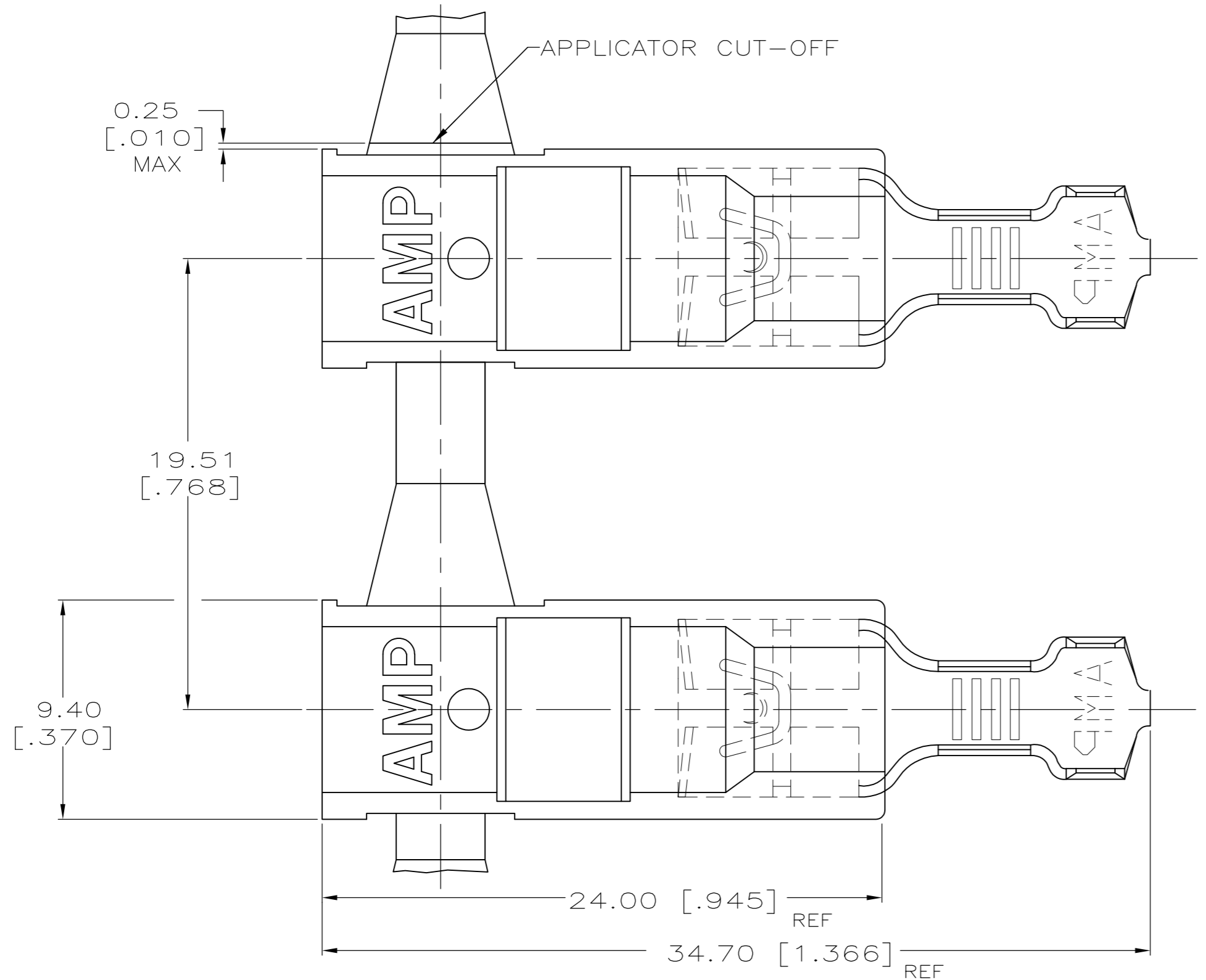
Email & Skype: info@chipsmall.com Web: www.chipsmall.com

Address: A1208, Overseas Decoration Building, #122 Zhenhua RD., Futian, Shenzhen, China

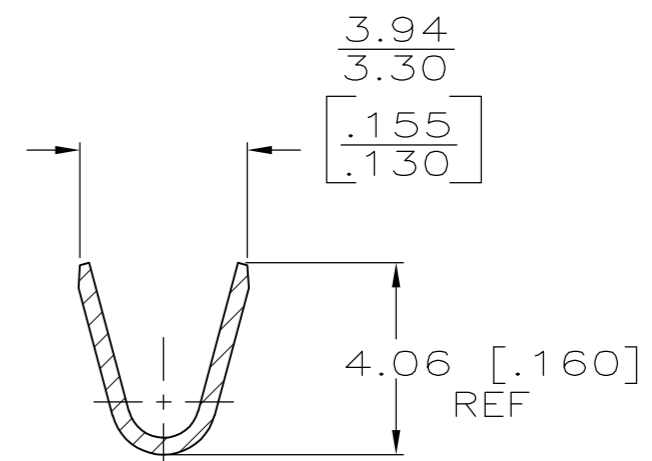


THIS DRAWING IS UNPUBLISHED. RELEASED FOR PUBLICATION
 © COPYRIGHT - By - ALL RIGHTS RESERVED.

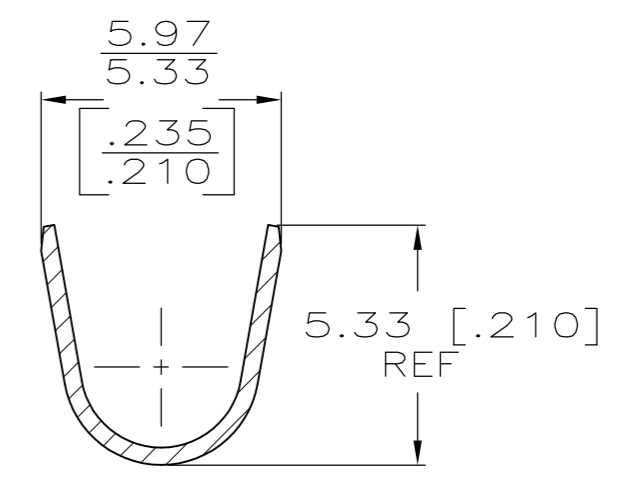
LOC	DIST	REVISIONS			
P	LTR	DESCRIPTION	DATE	DWN	APVD
AF	50	C	REVISED PER ECR-12-013219	08JAN13	KH KR



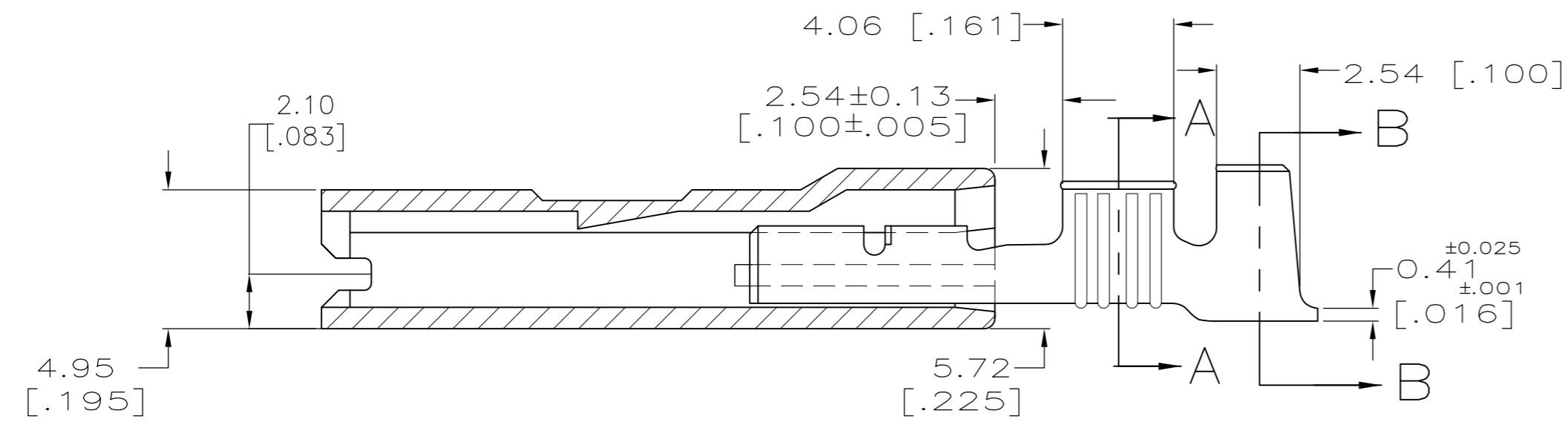
- 1 LOW-INSERTION FASTON TERMINALS, BASE P/N 63306, ARE USED IN THIS PRODUCT.
- 2 TIN PLATE PER 0.001016 [.000040] MIN
- 3 PRELIMINARY - NOT FOR PRODUCTION
- 4 GLOW WIRE APPROVED; CONTACT TE ENGINEERING FOR SPECIFICATION (ALL WALL THICKNESSES ARE BETWEEN 0.4-3.0 [.015-.118])



SECTION A-A



SECTION B-B



STANDARD	2 TIN PLATE	2.79-4.32	0.8-2.0 mm ² [18-14]	0.813 [.032]	521997-2 3
STANDARD	PLAIN	[.110-.170] DIA			521997-1 4
PACKAGING	TERMINAL FINISH	INSULATION RANGE	WIRE SIZE	MATING TAB THK ±0.025 [±.001]	PART NO

THIS DRAWING IS A CONTROLLED DOCUMENT.		DWN 30JAN07 RAGHAVENDRA			
DIMENSIONS: mm [INCHES]		CHK 30JAN07 G.D.PORTA			
TOLERANCES UNLESS OTHERWISE SPECIFIED:		APVD 30JAN07 G.D.PORTA	NAME		
0 PLC ± -		PRODUCT SPEC	ASSEMBLY, ULTRA-POD, RECEPTACLE, 6.35 [.250] SERIES		
1 PLC ± -		APPLICATION SPEC	SIZE	CAGE CODE	DRAWING NO
2 PLC ± -			A2	00779	C=521997
3 PLC ± 0.25 [.010]			RESTRICTED TO		
4 PLC ± -			-		
ANGLES ± -			SCALE 5:1 SHEET 1 of 1 REV C		
MATERIAL	FINISH	WEIGHT	CUSTOMER DRAWING		
HOUSING - V2 NYLON	HOUSING - NATURAL (WHITE)	-			
TERMINAL - BRASS	TERMINAL - SEE TABLE				