



Chipsmall Limited consists of a professional team with an average of over 10 year of expertise in the distribution of electronic components. Based in Hongkong, we have already established firm and mutual-benefit business relationships with customers from,Europe,America and south Asia,supplying obsolete and hard-to-find components to meet their specific needs.

With the principle of "Quality Parts,Customers Priority,Honest Operation,and Considerate Service",our business mainly focus on the distribution of electronic components. Line cards we deal with include Microchip,ALPS,ROHM,Xilinx,Pulse,ON,Everlight and Freescale. Main products comprise IC,Modules,Potentiometer,IC Socket,Relay,Connector.Our parts cover such applications as commercial,industrial, and automotives areas.

We are looking forward to setting up business relationship with you and hope to provide you with the best service and solution. Let us make a better world for our industry!



Contact us

Tel: +86-755-8981 8866 Fax: +86-755-8427 6832

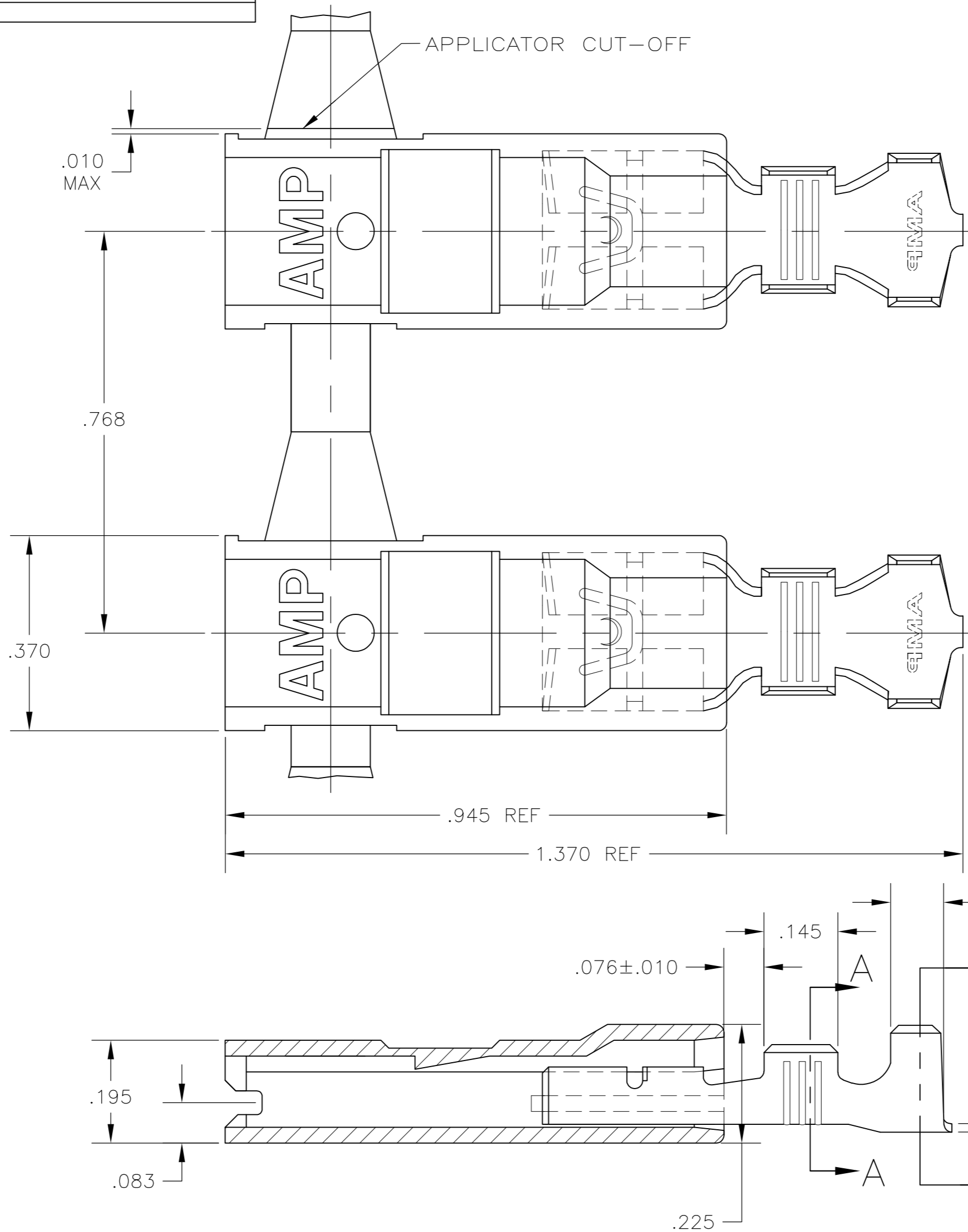
Email & Skype: info@chipsmall.com Web: www.chipsmall.com

Address: A1208, Overseas Decoration Building, #122 Zhenhua RD., Futian, Shenzhen, China

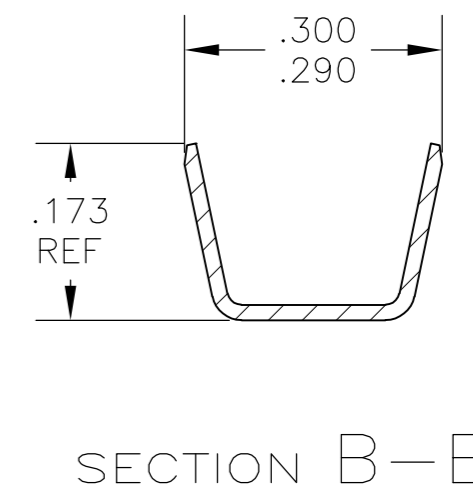
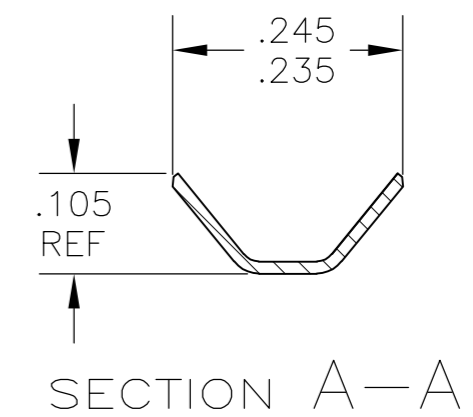


THIS DRAWING IS UNPUBLISHED. RELEASED FOR PUBLICATION
 © COPYRIGHT - By - ALL RIGHTS RESERVED.

LOC	DIST	REVISIONS			
P	LTR	DESCRIPTION	DATE	DWN	APVD
AF	50	C	REVISED PER ECR-12-013219	08JAN13	KH KR



- 1 LOW-INSERTION FASTON TERMINALS ARE USED IN THIS PRODUCT.
- 2 TIN PLATE PER .000040 MIN
- 3 WIRE SIZE IS 18-14 OR TWO 18'S AWG
- 4 INSULATION RANGE IS .110-.180 DIA OR TWO .105 MAX DIA
- 5 MATING TAB THK IS .032±.001
- 6 PRELIMINARY - NOT FOR PRODUCTION.
- 7 GLOW WIRE APPROVED; CONTACT TE ENGINEERING FOR SPECIFICATION (ALL WALL THICKNESSES ARE BETWEEN 0.4-3.0[.015-.118])



STANDARD	V2 NYLON, (WHITE)	BRASS - TIN	2	7	521998-2
STANDARD	V2 NYLON, (WHITE)	BRASS - PLAIN	6	6	521998-1
PACKAGING	HOUSING MATERIAL & FINISH	TERMINAL MATERIAL & FINISH	PART NO.		

THIS DRAWING IS A CONTROLLED DOCUMENT.		DWN	31JAN07	 TE Connectivity ASSEMBLY, ULTRA-POD, RECEPTACLE, .250 SERIES	
DIMENSIONS: INCHES		CHK	31JAN07		
TOLERANCES UNLESS OTHERWISE SPECIFIED:		APVD	31JAN07		
0 PLC ± - 1 PLC ± - 2 PLC ± - 3 PLC ± .010 4 PLC ± - ANGLES ± - FINISH SEE TABLE		NAME			
MATERIAL SEE TABLE		PRODUCT SPEC	108-1285	SIZE	A2
		APPLICATION SPEC	114-2124	CAGE CODE	00779
		WEIGHT	-	DRAWING NO	C=521998
		CUSTOMER DRAWING		RESTRICTED TO	-
		SCALE	5:1	SHEET	1 of 1
		REV	C		