



Chipsmall Limited consists of a professional team with an average of over 10 year of expertise in the distribution of electronic components. Based in Hongkong, we have already established firm and mutual-benefit business relationships with customers from,Europe,America and south Asia,supplying obsolete and hard-to-find components to meet their specific needs.

With the principle of “Quality Parts,Customers Priority,Honest Operation,and Considerate Service”,our business mainly focus on the distribution of electronic components. Line cards we deal with include Microchip,ALPS,ROHM,Xilinx,Pulse,ON,Everlight and Freescale. Main products comprise IC,Modules,Potentiometer,IC Socket,Relay,Connector.Our parts cover such applications as commercial,industrial, and automotives areas.

We are looking forward to setting up business relationship with you and hope to provide you with the best service and solution. Let us make a better world for our industry!



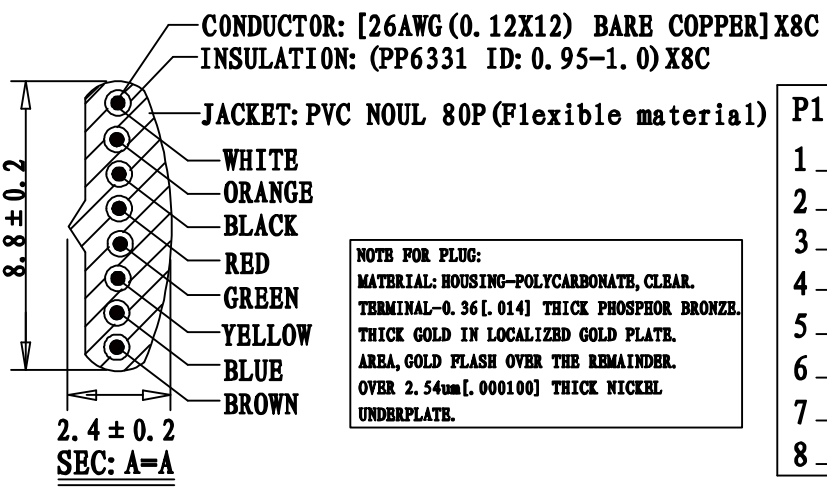
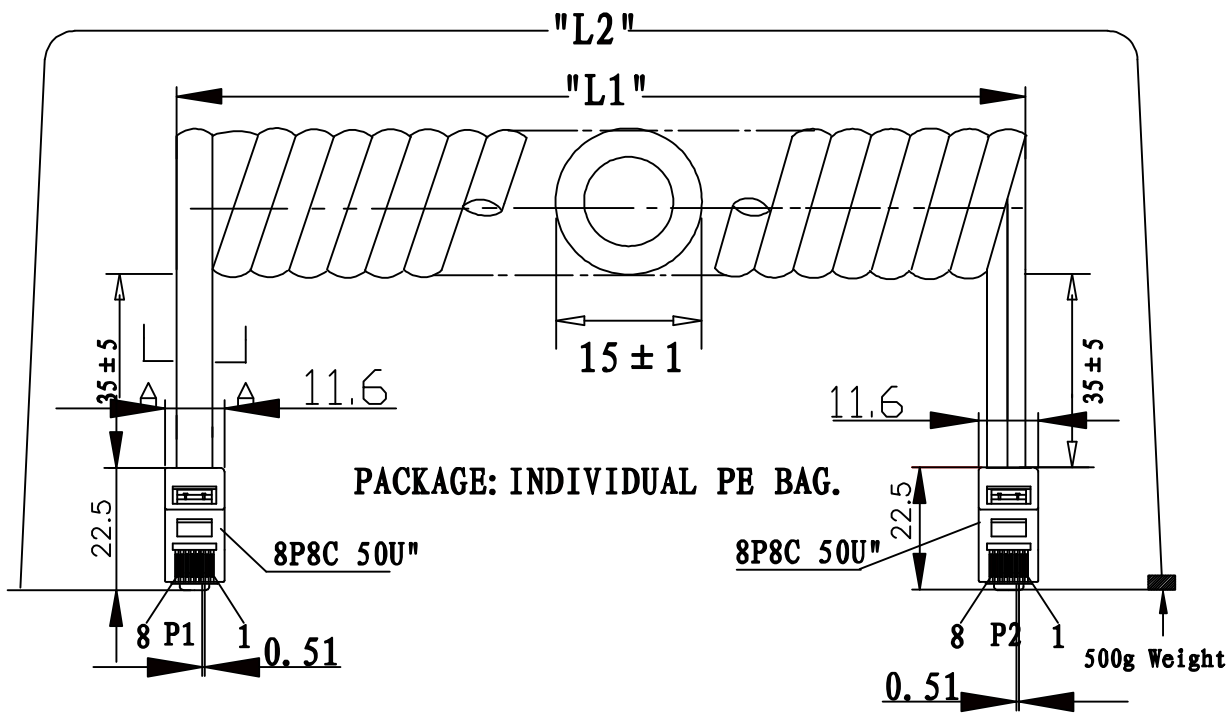
Contact us

Tel: +86-755-8981 8866 Fax: +86-755-8427 6832

Email & Skype: info@chipsmall.com Web: www.chipsmall.com

Address: A1208, Overseas Decoration Building, #122 Zhenhua RD., Futian, Shenzhen, China





P1	P2
1	WHITE
2	ORANGE
3	BLACK
4	RED
5	GREEN
6	YELLOW
7	BLUE
8	BROWN

PART NO	DRAWING NO	COLOR	RETRACTED LENGTH ("L1")	EXTENDED LENGTH ("L2")
522-26-8800-WH-0005F	A	White	2.14FT-2.46FT	5.0FT-5.75FT
522-26-8800-WH-0007F	B	White	3.12FT-3.44FT	7.0FT-8.05FT
522-26-8800-WH-0010F	C	White	4.76FT-5.08FT	10.0FT-11.5FT
522-26-8800-WH-0012F	D	White	5.25FT-5.57FT	12.0FT-13.8FT
522-26-8800-WH-0014F	E	White	6.07FT-6.39FT	14.0FT-16.1FT
522-26-8800-WH-0025F	F	White	10.34FT-10.66FT	25.0FT-28.75FT

REVISE	VERSION	BASIS	CONTENTS
12-02-20	A/0	T0210A	NEW DRAWING

CnC Tech, LLC	
Industrial Cable and Connector Technology	
DRAWING NO: 671-333	CUSTOMER: L-671
ITEM NO: 8C COILD CORD P+P PLUG	UNIT: mm
DATE: 2012-02-20	ISSUE: (A/0)
DRAWN: QE: QA:	
SALES DEPT: SALES MANAGER:	