



Chipsmall Limited consists of a professional team with an average of over 10 year of expertise in the distribution of electronic components. Based in Hongkong, we have already established firm and mutual-benefit business relationships with customers from,Europe,America and south Asia,supplying obsolete and hard-to-find components to meet their specific needs.

With the principle of “Quality Parts,Customers Priority,Honest Operation,and Considerate Service”,our business mainly focus on the distribution of electronic components. Line cards we deal with include Microchip,ALPS,ROHM,Xilinx,Pulse,ON,Everlight and Freescale. Main products comprise IC,Modules,Potentiometer,IC Socket,Relay,Connector.Our parts cover such applications as commercial,industrial, and automotives areas.

We are looking forward to setting up business relationship with you and hope to provide you with the best service and solution. Let us make a better world for our industry!



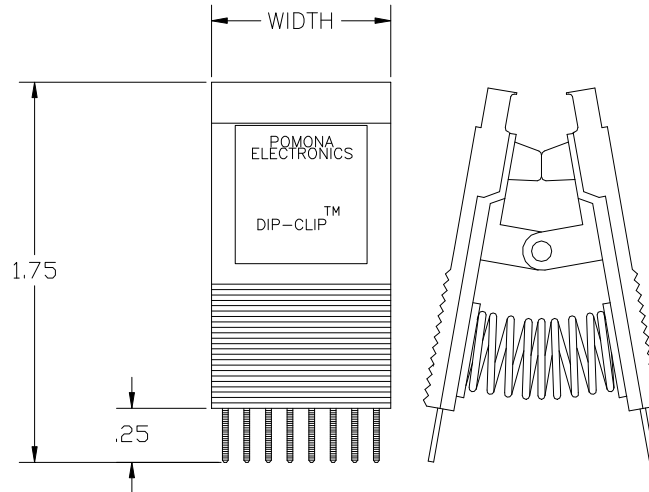
Contact us

Tel: +86-755-8981 8866 Fax: +86-755-8427 6832

Email & Skype: info@chipsmall.com Web: www.chipsmall.com

Address: A1208, Overseas Decoration Building, #122 Zhenhua RD., Futian, Shenzhen, China





STANDARD DESIGN

Pomona DIP Clip[®] test clips are designed for testing dual-in-line IC packages on PC boards. These devices incorporate many built-in features that assure a positive electrical connection as well as hands free testing.

- Contacts (.040" wide on lower end) are serrated for the best electrical contact.
- .025" X .028" serrated test points on upper end will accept wire wraps or mini test clips.
- Molded barriers between contacts allows live board connections without accidental shorting of contacts.
- Can also be used as an insertion tool for DIPs.
- Contacts are spring tempered Nickel Silver or Gold Plated Beryllium Copper alloy. Oxide penetrating clips have a roughened stainless steel surface treatment.
- Open back option allows probing on the chip leads while clip is attached.

Pomona's DIP Clip[®] test clips are perfect for emulation, field service, failure analysis, and for use with logic analyzers.

Model#	Size Pins	Clip Width	Type	Contact Material and Plating
5108	8	0.43in (10.9mm)	Standard DIP Clip [®]	Be-Cu, Gold Plate
5208	8	0.43in (10.9mm)	Open Back DIP Clip [®]	Be-Cu, Gold Plate
5014	14	0.72in (18.3mm)	Standard DIP Clip [®]	Nickel Silver
5114	14	0.72in (18.3mm)	Open Back DIP Clip [®]	Nickel Silver
3916A	16	0.83in (21.1mm)	Standard DIP Clip [®]	Nickel Silver
5220	20	1.03in (26.2mm)	Open Back DIP Clip [®]	Be-Cu, Gold Plate

All dimensions are in inches. Tolerances (except noted): .xx = ±.02" (.51 mm), .xxx = ±.005" (.127 mm).

All specifications are to the latest revisions. Specifications are subject to change without notice.

Registered trademarks are the property of their respective companies.

USA: Sales: 800-490-2361

Fax: 425-446-5844

Technical Support: technicalsupport@pomonatest.com

Europe: 31-(0) 40 2675 150

International: 425-446-5500

Where to Buy: www.pomonaelectronics.com