



Chipsmall Limited consists of a professional team with an average of over 10 year of expertise in the distribution of electronic components. Based in Hongkong, we have already established firm and mutual-benefit business relationships with customers from,Europe,America and south Asia,supplying obsolete and hard-to-find components to meet their specific needs.

With the principle of “Quality Parts,Customers Priority,Honest Operation,and Considerate Service”,our business mainly focus on the distribution of electronic components. Line cards we deal with include Microchip,ALPS,ROHM,Xilinx,Pulse,ON,Everlight and Freescale. Main products comprise IC,Modules,Potentiometer,IC Socket,Relay,Connector.Our parts cover such applications as commercial,industrial, and automotives areas.

We are looking forward to setting up business relationship with you and hope to provide you with the best service and solution. Let us make a better world for our industry!



Contact us

Tel: +86-755-8981 8866 Fax: +86-755-8427 6832

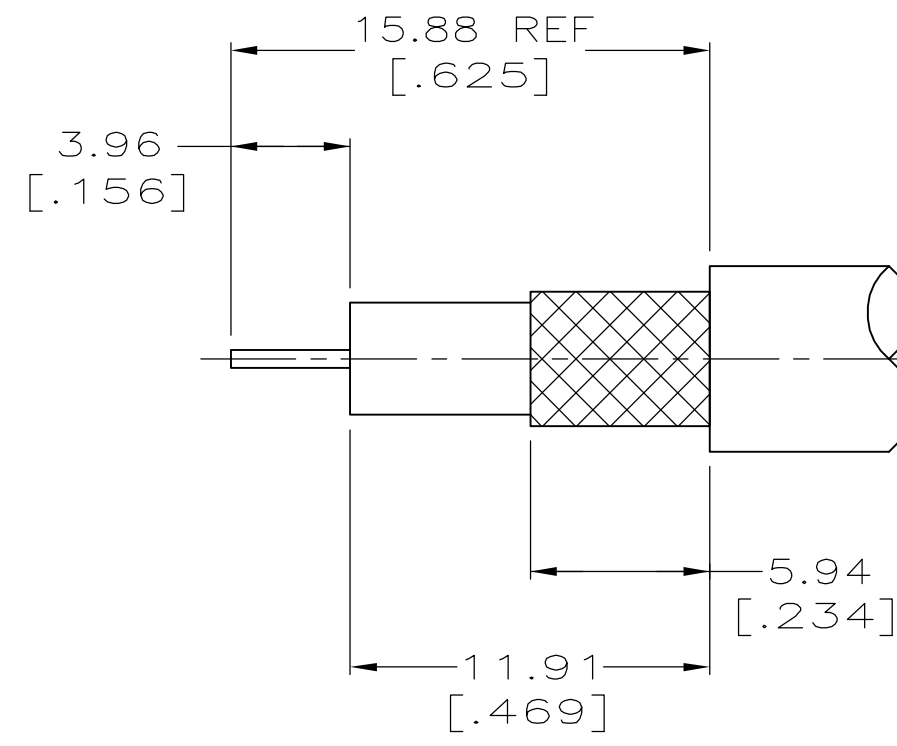
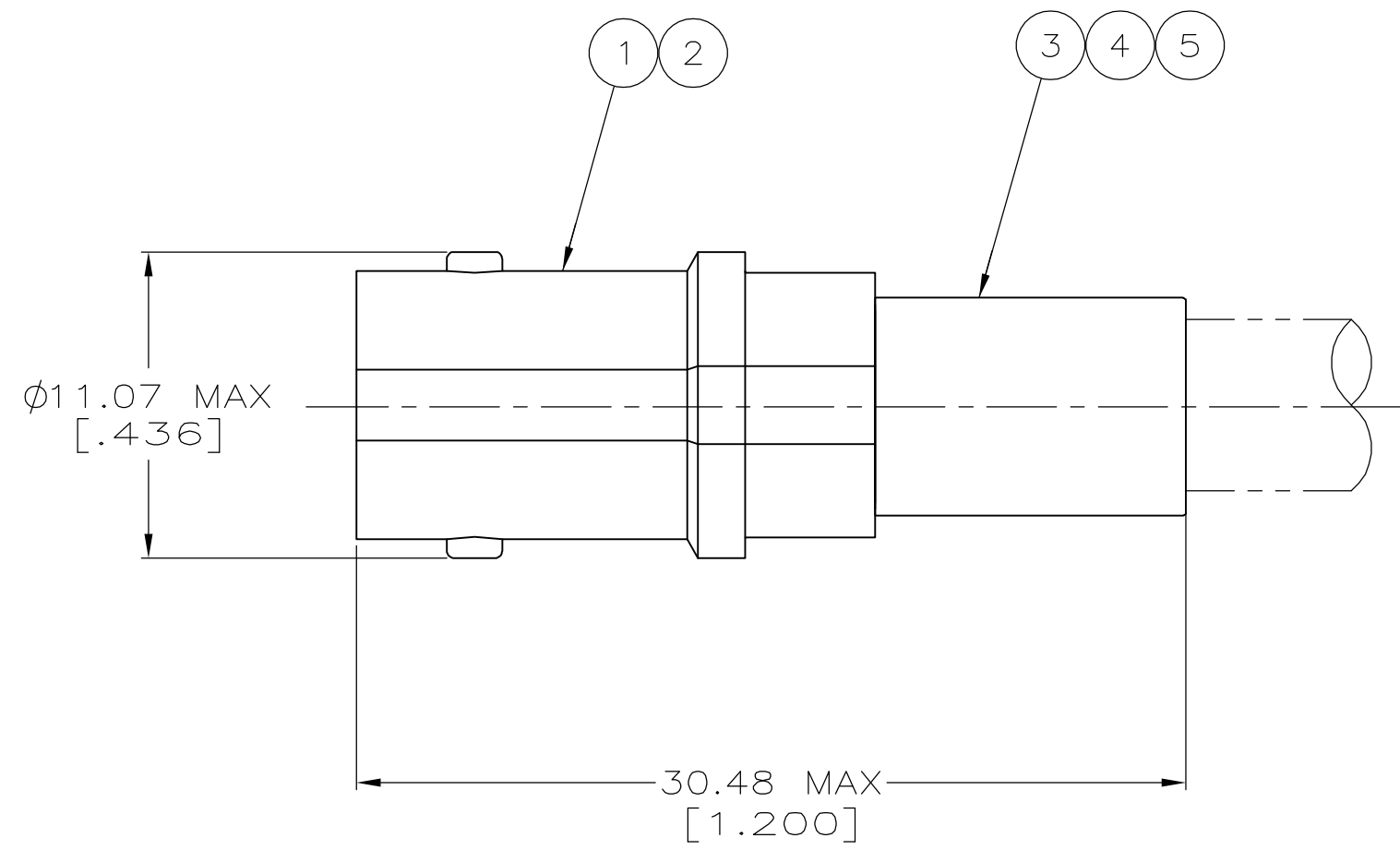
Email & Skype: info@chipsmall.com Web: www.chipsmall.com

Address: A1208, Overseas Decoration Building, #122 Zhenhua RD., Futian, Shenzhen, China



THIS DRAWING IS UNPUBLISHED. RELEASED FOR PUBLICATION
 © COPYRIGHT BY TYCO ELECTRONICS CORPORATION. ALL RIGHTS RESERVED.

LOC	DIST	REVISIONS			
P	LTR	DESCRIPTION	DATE	DWN	APVD
AJ	17	A	REVISED PER EC OS14-0150-05	30AUG05	BM JL



RECOMMENDED STRIP LENGTH

- 1. USE WITH PRO-CRIMPER 354940-1.
- 2. USE INSTRUCTION SHEET 408-9090.
- 3. DIELECTRIC MUST WITHSHAND A 5 LB PUSH OUT FORCE.

RG-179	58304-1	222001-8	227194-2	9-328666-0	2-221200-0	221202-3	5221199-5
RG-59/U,59A/U & 59B/U	58085-1	-	-	9-50428-0	221200-3	221202-2	5221199-2
BELDEN 9248, MADISON 18AWG	58086-1	-	-	9-50427-0	3-221200-2	221202-1	5221199-1
FOR USE WITH CABLE	DIE SET	5 TUBING, METAL QTY=1	4 TUBING, PLASTIC QTY=1	3 FERRULE QTY=1	2 CONTACT QTY=1	1 JACK ASSEMBLY QTY=1	PART NUMBER

THIS DRAWING IS A CONTROLLED DOCUMENT.

DWN	J. HAVENER	24JAN2005
CHK	J. HAVENER	25JAN2005
APVD	J. LIPPERT	25JAN2005

PRODUCT SPEC: 108-12095
 APPLICATION SPEC: -

NAME: JACK, 75 OHM, BNC

SIZE	CAGE CODE	DRAWING NO	RESTRICTED TO
A2	00779	C=5221199	-

CUSTOMER DRAWING SCALE 4:1 SHEET 1 OF 1 REV A