



Chipsmall Limited consists of a professional team with an average of over 10 year of expertise in the distribution of electronic components. Based in Hongkong, we have already established firm and mutual-benefit business relationships with customers from,Europe,America and south Asia,supplying obsolete and hard-to-find components to meet their specific needs.

With the principle of “Quality Parts,Customers Priority,Honest Operation,and Considerate Service”,our business mainly focus on the distribution of electronic components. Line cards we deal with include Microchip,ALPS,ROHM,Xilinx,Pulse,ON,Everlight and Freescale. Main products comprise IC,Modules,Potentiometer,IC Socket,Relay,Connector.Our parts cover such applications as commercial,industrial, and automotives areas.

We are looking forward to setting up business relationship with you and hope to provide you with the best service and solution. Let us make a better world for our industry!



Contact us

Tel: +86-755-8981 8866 Fax: +86-755-8427 6832

Email & Skype: info@chipsmall.com Web: www.chipsmall.com

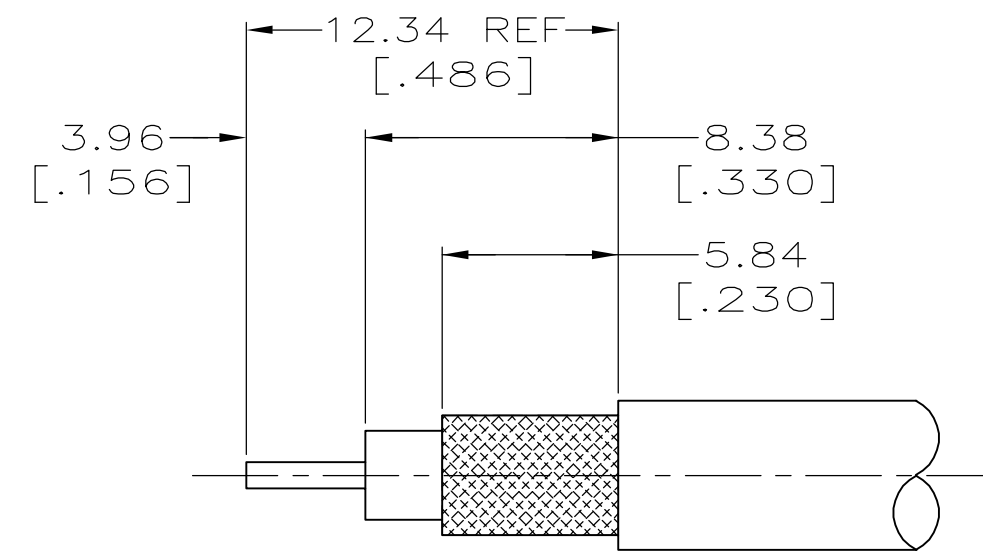
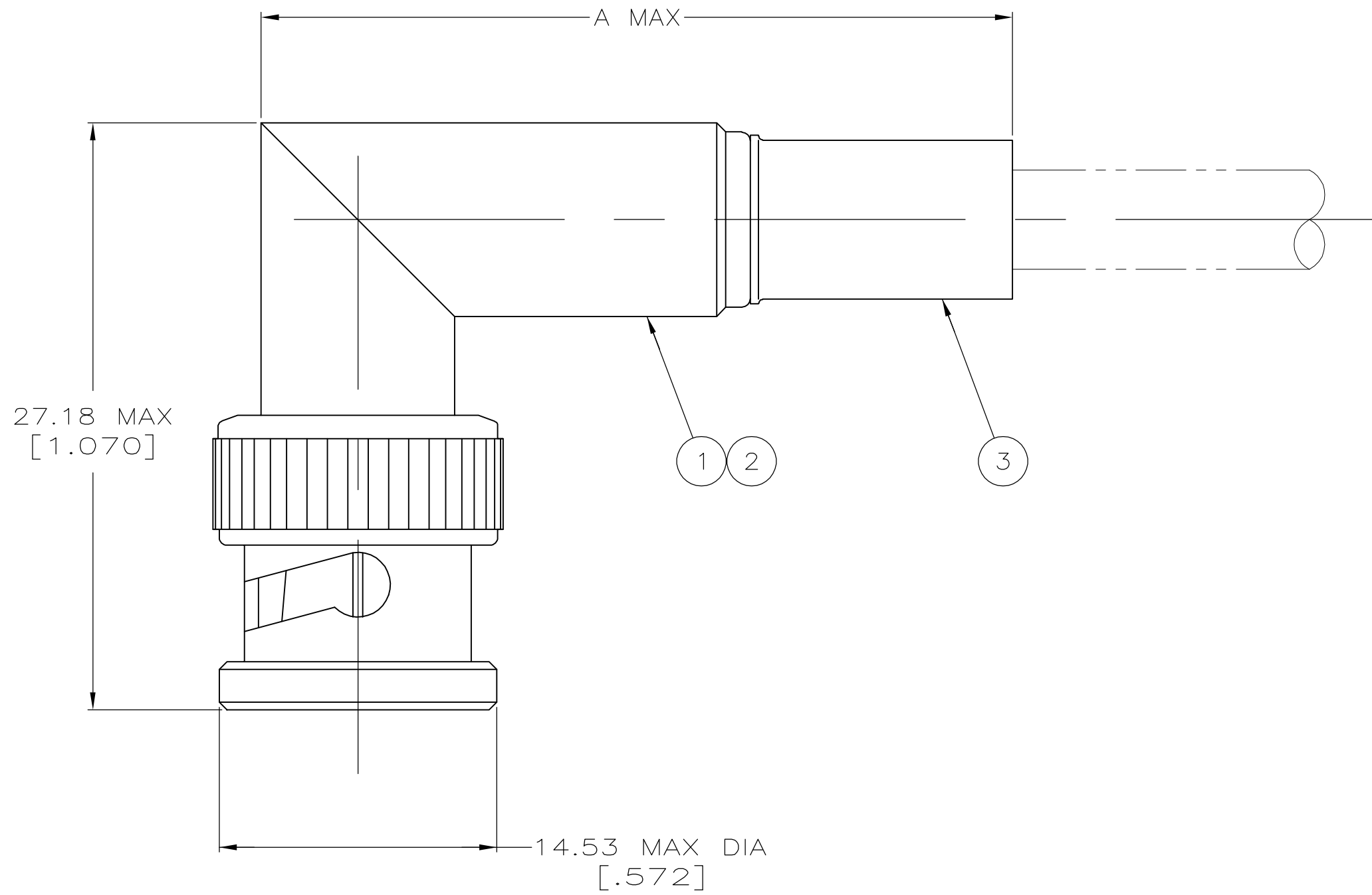
Address: A1208, Overseas Decoration Building, #122 Zhenhua RD., Futian, Shenzhen, China



THIS DRAWING IS UNPUBLISHED. RELEASED FOR PUBLICATION
 © COPYRIGHT BY TYCO ELECTRONICS CORPORATION. ALL RIGHTS RESERVED.

LOC	DIST	REVISIONS			
P	LTR	DESCRIPTION	DATE	DWN	APVD
AJ	16	A	REVISED PER EC OS14-0150-05	30AUG05	BM JL

- 1. USE WITH PRO-CRIMPER 354940-1.
- 2. USE INSTRUCTION SHEET 408-9781



RECOMMENDED STRIP LENGTH

AT&T 735	58174-1	39.88 [1.570]	9-328666-2	221200-9	413947-2	5221402-7
BELDEN 9145	58085-1	39.88 [1.570]	9-50428-0	2-221200-5	413947-6	5221402-4
RG-59/U, 59A/U, 59B/U	58085-1	39.88 [1.570]	9-50428-0	221200-3	413947-6	5221402-2
BELDEN 9248 & MADISON W/18AWG C/C	58086-1	39.88 [1.570]	9-50427-0	3-221200-2	413947-5	5221402-1
CABLE	DIE SET 1	A	3 FERRULE QTY=1	2 CONTACT QTY=1	1 PLUG ASSEMBLY QTY=1	PART NUMBER

THIS DRAWING IS A CONTROLLED DOCUMENT.

DWN J. ALCORTA - DOCK5 21APR2005	 Tyco Electronics Corporation Harrisburg, Pa 17105-3608					
CHK J. HAVENER 21APR2005						
APVD J. LIPPERT 21APR2005						
NAME PLUG, RIGHT ANGLE, 75 OHM, COMMERCIAL BNC						
DIMENSIONS: mm [INCHES]	TOLERANCES UNLESS OTHERWISE SPECIFIED:	PRODUCT SPEC 108-12020	SIZE A2	CAGE CODE 00779	DRAWING NO C=5221402	RESTRICTED TO
MATERIAL	FINISH	APPLICATION SPEC	WEIGHT	SCALE 4:1	SHEET 1 OF 1	REV A

CUSTOMER DRAWING