



Chipsmall Limited consists of a professional team with an average of over 10 year of expertise in the distribution of electronic components. Based in Hongkong, we have already established firm and mutual-benefit business relationships with customers from,Europe,America and south Asia,supplying obsolete and hard-to-find components to meet their specific needs.

With the principle of “Quality Parts,Customers Priority,Honest Operation,and Considerate Service”,our business mainly focus on the distribution of electronic components. Line cards we deal with include Microchip,ALPS,ROHM,Xilinx,Pulse,ON,Everlight and Freescale. Main products comprise IC,Modules,Potentiometer,IC Socket,Relay,Connector.Our parts cover such applications as commercial,industrial, and automotives areas.

We are looking forward to setting up business relationship with you and hope to provide you with the best service and solution. Let us make a better world for our industry!



Contact us

Tel: +86-755-8981 8866 Fax: +86-755-8427 6832

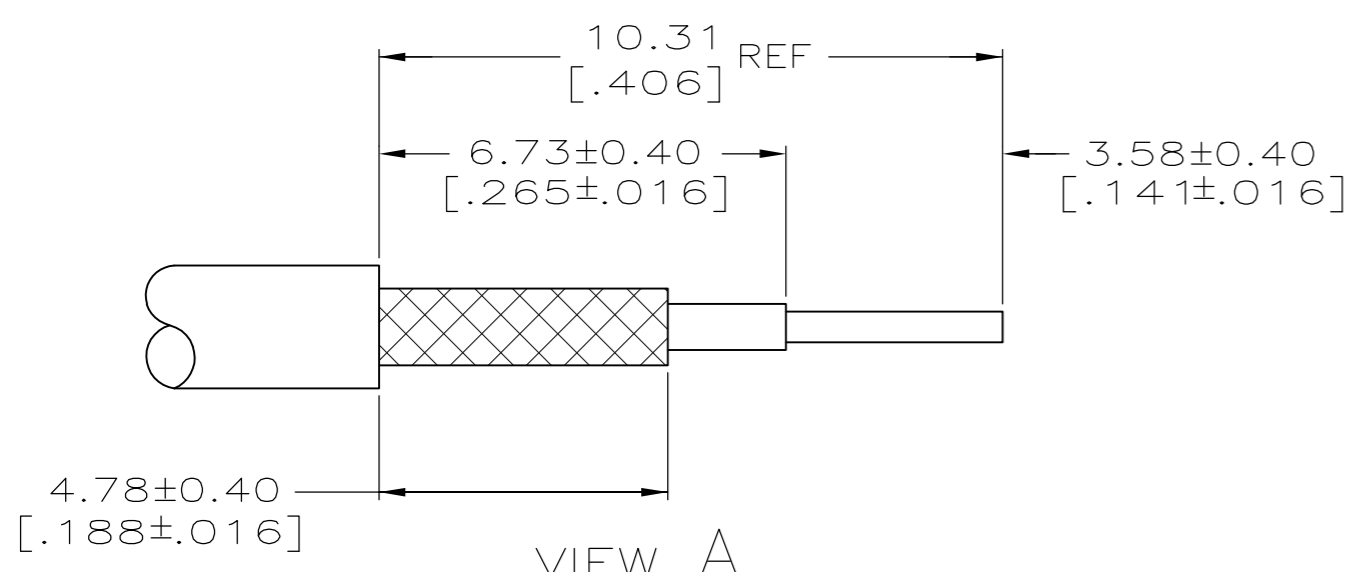
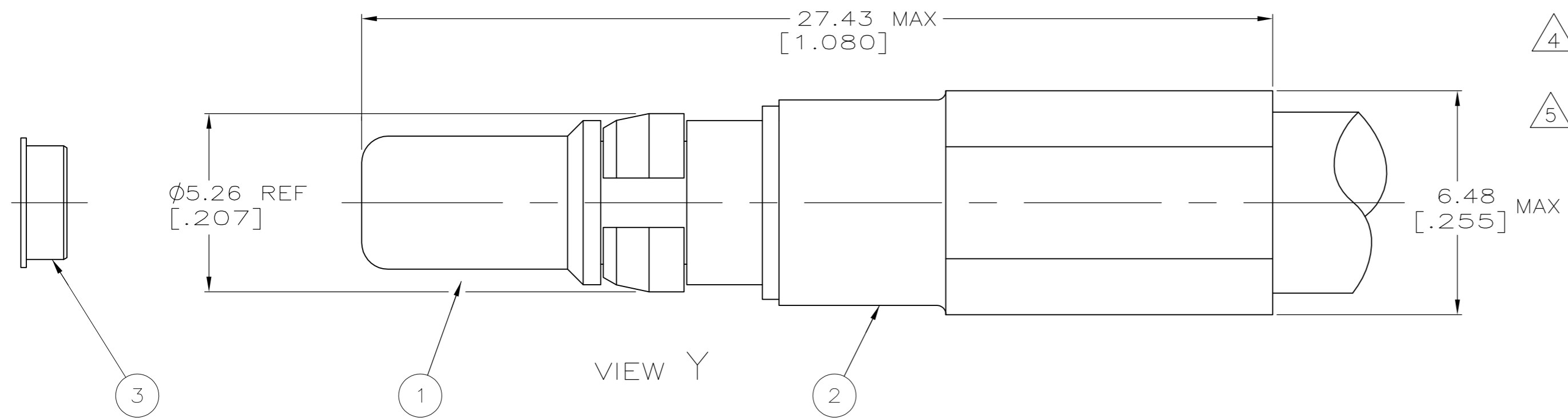
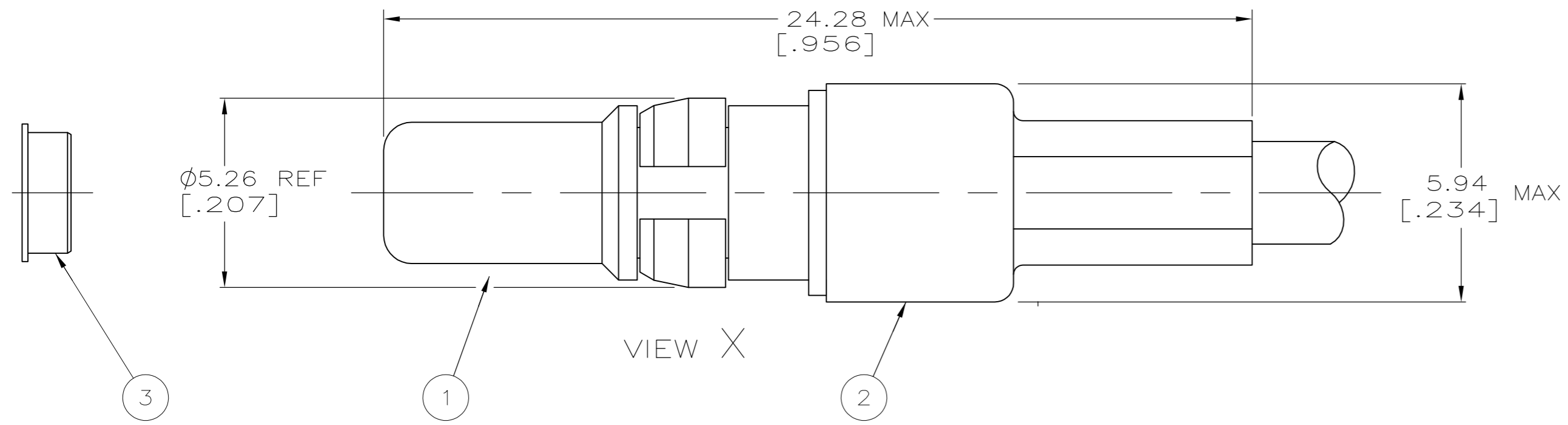
Email & Skype: info@chipsmall.com Web: www.chipsmall.com

Address: A1208, Overseas Decoration Building, #122 Zhenhua RD., Futian, Shenzhen, China



THIS DRAWING IS UNPUBLISHED. RELEASED FOR PUBLICATION
 © COPYRIGHT BY TYCO ELECTRONICS CORPORATION. ALL RIGHTS RESERVED.

LOC	DIST	REVISIONS					
		P	LTR	DESCRIPTION	DATE	DWN	APVD
AJ	16		A	REV PER EC 0S14-0028-05	17DEC05	BC	KW
			A1	REVISED PER ECO-09-024606	29OCT09	KK	AEG



- △1 FOR USE WITH: RG-142/U, 142A/U, 142B/U, 58A/U, & 400/U, BELDEN 9248
- 2. USE HAND TOOL: 69710-2
PNEUMATIC TOOL: 69365-8
EXTRACTION TOOL: 58095-1
- 3. ITEM #3 IS USED TO STABILIZE THE CRIMPED CONNECTOR IN THE HOUSING CAVITY, OTHERWISE DISCARD
- △4 FOR USE WITH: RD-316/U, 174/U, & 188/U DOUBLE BRAIDED CABLE
- △5 OBSOLETE PARTS: OBSOLETE CIS STREAMLINING PER D.RENAUD/D.SINISI

RECOMMENDED STRIP LENGTH

	59993-1	△4	228616-1	9-221205-0	9-222049-0	X,A	5221980-5
△5 OBSOLETE	59993-1	RG-179/U, 179A/U & 179B/U	228616-1	9-228603-0	9-222049-1	X,A	5221980-3
OBSOLETE	58212-1	△1	228616-1	9-225381-0	222059-1	Y,A	5221980-2
	59993-1	RG-174/U, 188/U & 316/U	228616-1	9-228603-0	9-222049-0	X,A	5221980-1
	DIE SET	USE WITH CABLE	△3 ALIGNMENT RING QTY=1	△2 FERRULE QTY=1	△1 PIN ASSY QTY=1	VIEW	PART NUMBER

THIS DRAWING IS A CONTROLLED DOCUMENT.		DWN J. HAVENER 24JAN2005	Tyco Electronics Corporation Harrisburg, PA 17105-3608																		
DIMENSIONS: INCHES		CHK J. HAVENER 26JAN2005	NAME G. MICHAEL																		
TOLERANCES UNLESS OTHERWISE SPECIFIED:		APVD G. MICHAEL 26JAN2005	PRODUCT SPEC																		
<table border="0"> <tr><td>0 PLC</td><td>±</td><td>-</td></tr> <tr><td>1 PLC</td><td>±</td><td>-</td></tr> <tr><td>2 PLC</td><td>±</td><td>-</td></tr> <tr><td>3 PLC</td><td>±</td><td>-</td></tr> <tr><td>4 PLC</td><td>±</td><td>-</td></tr> <tr><td>ANGLES</td><td>±</td><td>-</td></tr> </table>		0 PLC	±	-	1 PLC	±	-	2 PLC	±	-	3 PLC	±	-	4 PLC	±	-	ANGLES	±	-	APPLICATION SPEC	
0 PLC	±	-																			
1 PLC	±	-																			
2 PLC	±	-																			
3 PLC	±	-																			
4 PLC	±	-																			
ANGLES	±	-																			
MATERIAL		WEIGHT	SIZE	RESTRICTED TO																	
-		-	A2 00779	-																	
FINISH		DRAWING NO		SCALE																	
-		C=5221980		8:1																	
CUSTOMER DRAWING		SHEET		REV																	
		1 of 1		A1																	