



Chipsmall Limited consists of a professional team with an average of over 10 year of expertise in the distribution of electronic components. Based in Hongkong, we have already established firm and mutual-benefit business relationships with customers from,Europe,America and south Asia,supplying obsolete and hard-to-find components to meet their specific needs.

With the principle of “Quality Parts,Customers Priority,Honest Operation,and Considerate Service”,our business mainly focus on the distribution of electronic components. Line cards we deal with include Microchip,ALPS,ROHM,Xilinx,Pulse,ON,Everlight and Freescale. Main products comprise IC,Modules,Potentiometer,IC Socket,Relay,Connector.Our parts cover such applications as commercial,industrial, and automotives areas.

We are looking forward to setting up business relationship with you and hope to provide you with the best service and solution. Let us make a better world for our industry!



## Contact us

Tel: +86-755-8981 8866 Fax: +86-755-8427 6832

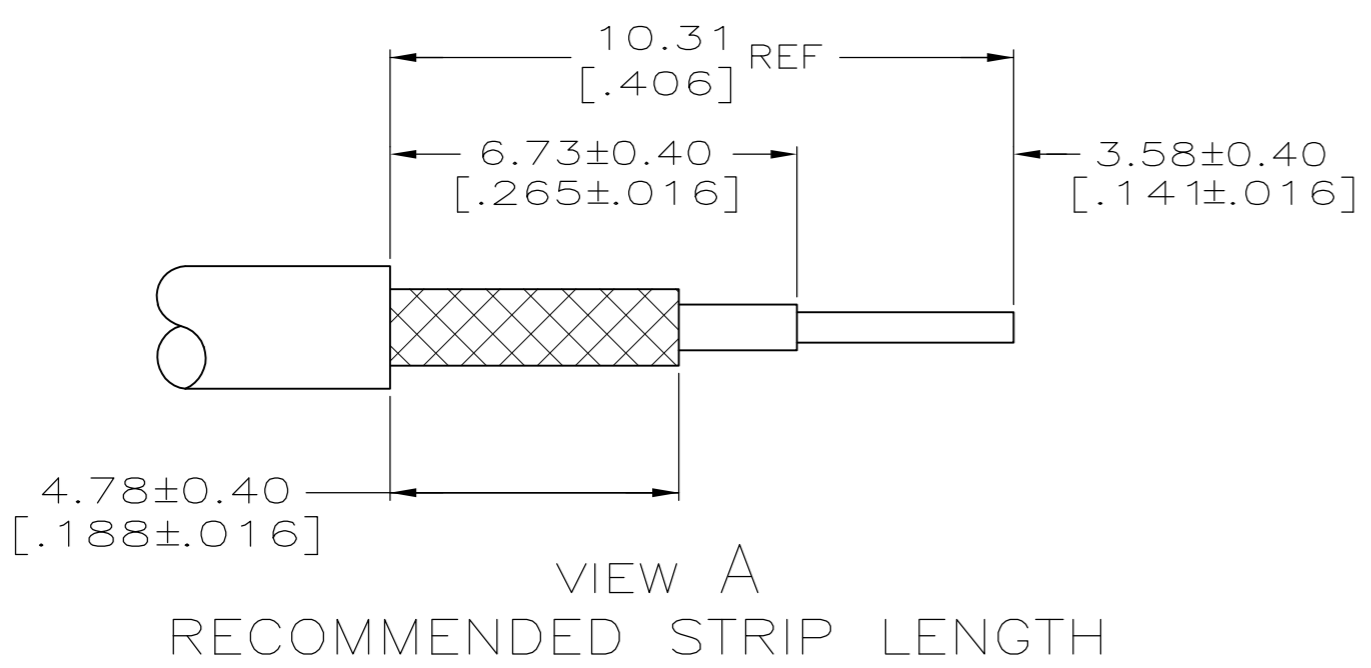
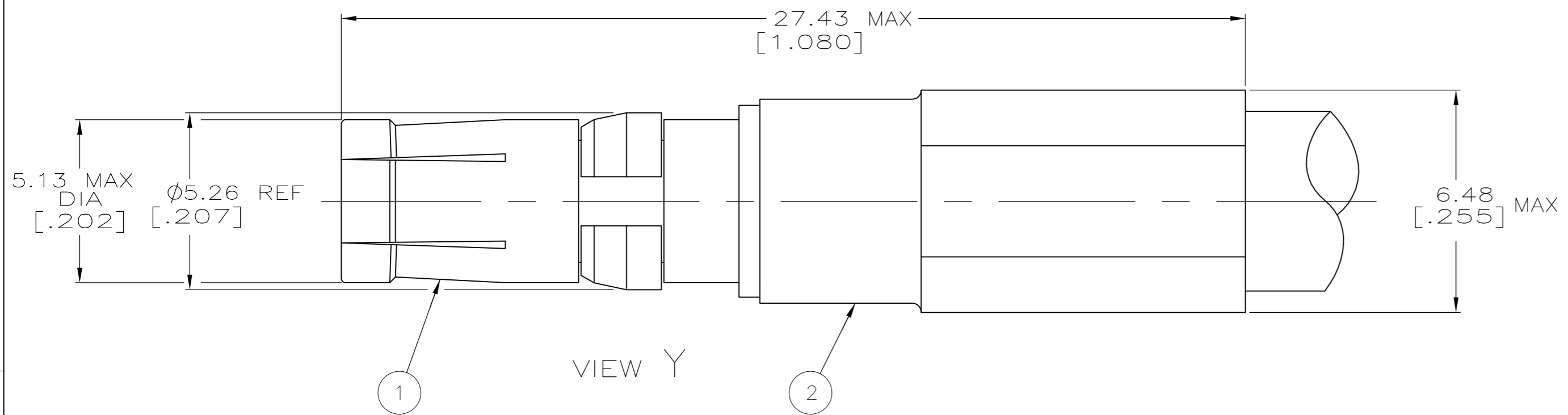
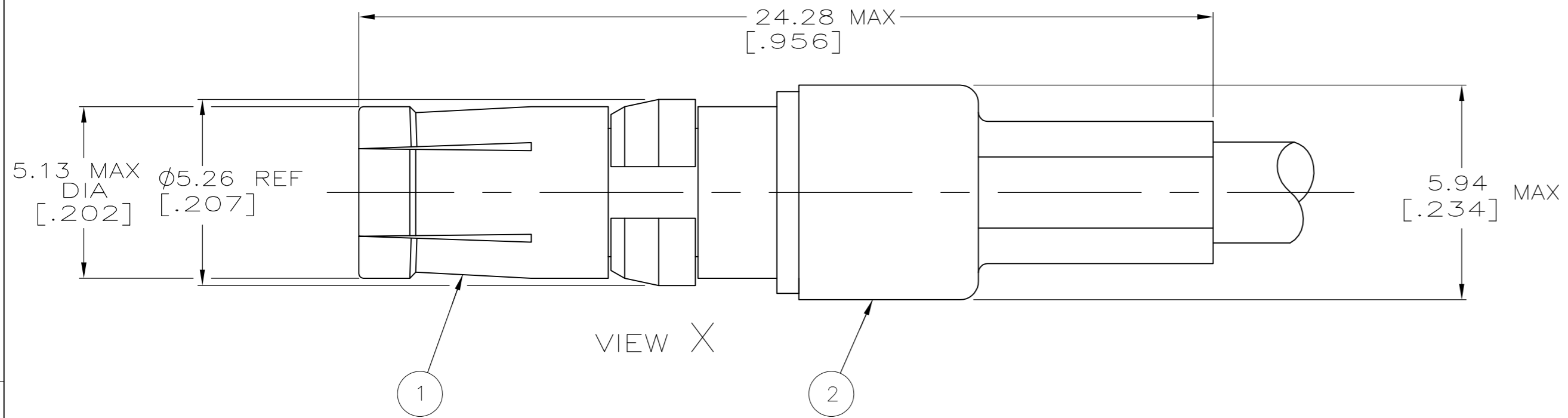
Email & Skype: info@chipsmall.com Web: www.chipsmall.com

Address: A1208, Overseas Decoration Building, #122 Zhenhua RD., Futian, Shenzhen, China



THIS DRAWING IS UNPUBLISHED. RELEASED FOR PUBLICATION  
 © COPYRIGHT BY TYCO ELECTRONICS CORPORATION. ALL RIGHTS RESERVED.

LOC		DIST		REVISIONS			
P	LTR	DESCRIPTION	DATE	DWN	APVD		
AJ	16	A	REV PER EC 0514-0028-05	17DEC05	BC	KW	
		A1	REVISED PER ECO-09-024606	29OCT09	KK	AEG	



- 1. FOR USE WITH: RG-142/U, 142A/U, 142B/U, 58A/U & 400/U, BELDIN 9246
- 2. USE HAND TOOL: 69710-2  
PNEUMATIC TOOL: 69365-8  
EXTRACTION TOOL: 58095-1
- 3. FOR USE WITH RD-316/U, 174/U, 198/U  
DOUBLE BRAIDED CABLE
- 4. OBSOLETE PARTS: OBSOLETE CIS STREAMLINING PER D.RENAUD/D.SINISI

	59993-1		9-221205-0	9-222052-0	X,A	5221981-5
4	OBSOLETE	58212-1	9-221357-0	222060-1	Y,A	5221981-2
	OBSOLETE	59993-1	RG-174/U,188/U & 316/U	9-228603-0	X,A	5221981-1
	DIE SET		USE WITH CABLE	2 FERRULE QTY=1	1 SOCKET ASSY QTY=1	VIEW PART NUMBER

THIS DRAWING IS A CONTROLLED DOCUMENT.

DWN	J. HAVENER	24JAN2005	Tyco Electronics Corporation Harrisburg, PA 17105-3608
CHK	J. HAVENER	26JAN2005	
APVD	G. MICHAEL	26JAN2005	
NAME			
DIMENSIONS:	TOLERANCES UNLESS OTHERWISE SPECIFIED:		SOCKET, STRAIGHT, 50 OHM, SIZE 8
INCHES	0 PLC ± - 1 PLC ± - 2 PLC ± - 3 PLC ± - 4 PLC ± - ANGLES ± - FINISH -		
MATERIAL	FINISH		SIZE CAGE CODE DRAWING NO RESTRICTED TO A2 00779 C=5221981 -
CUSTOMER DRAWING			SCALE 8:1 SHEET 1 OF 1 REV A1

5221981