



Chipsmall Limited consists of a professional team with an average of over 10 year of expertise in the distribution of electronic components. Based in Hongkong, we have already established firm and mutual-benefit business relationships with customers from,Europe,America and south Asia,supplying obsolete and hard-to-find components to meet their specific needs.

With the principle of “Quality Parts,Customers Priority,Honest Operation,and Considerate Service”,our business mainly focus on the distribution of electronic components. Line cards we deal with include Microchip,ALPS,ROHM,Xilinx,Pulse,ON,Everlight and Freescale. Main products comprise IC,Modules,Potentiometer,IC Socket,Relay,Connector.Our parts cover such applications as commercial,industrial, and automotives areas.

We are looking forward to setting up business relationship with you and hope to provide you with the best service and solution. Let us make a better world for our industry!



Contact us

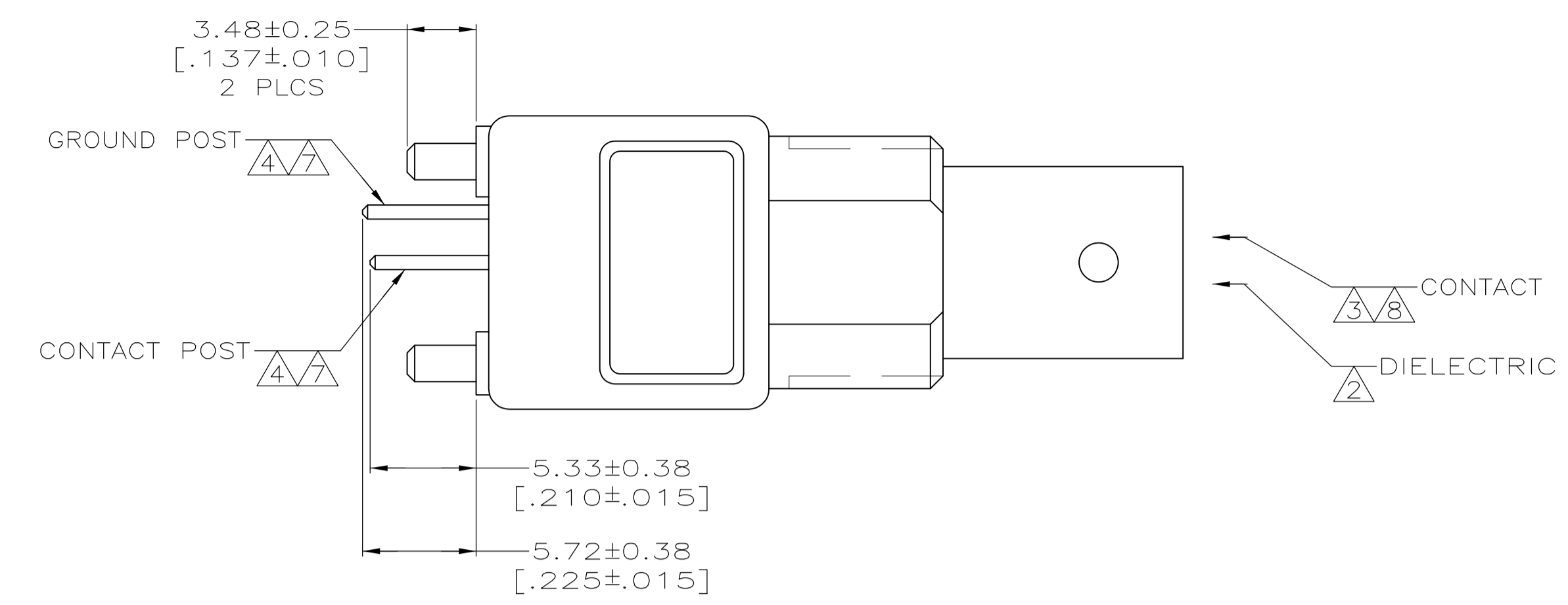
Tel: +86-755-8981 8866 Fax: +86-755-8427 6832

Email & Skype: info@chipsmall.com Web: www.chipsmall.com

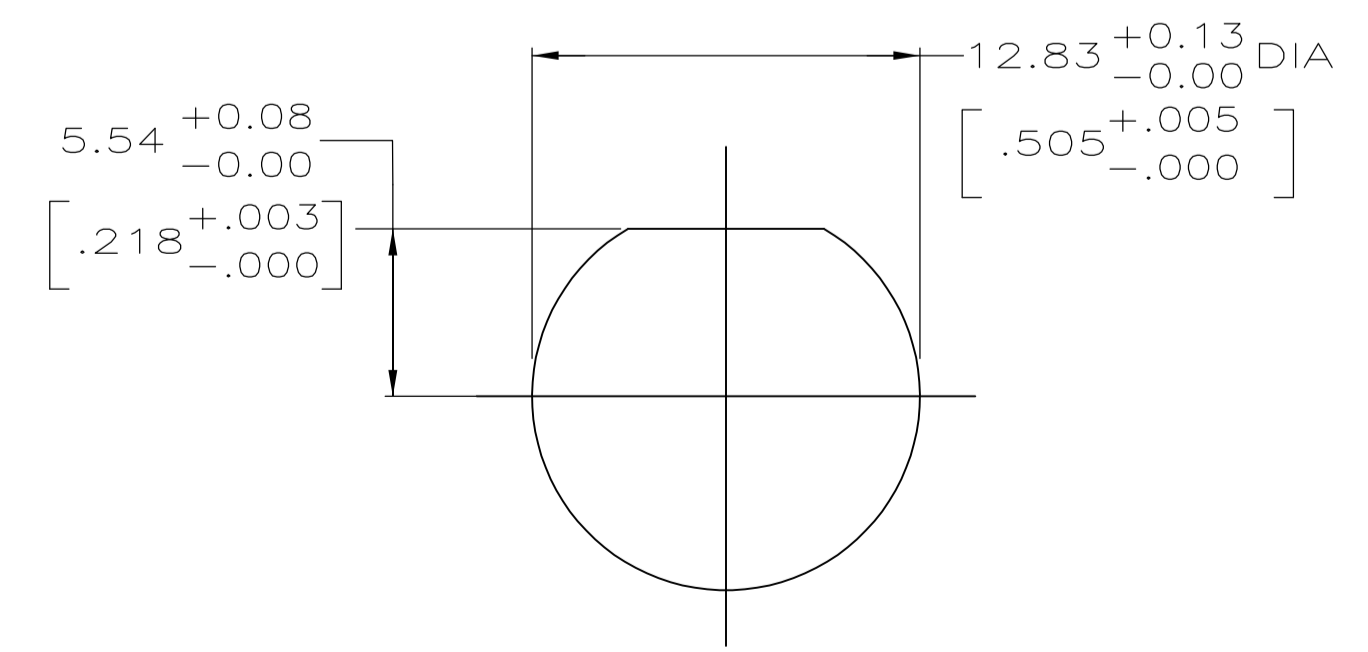
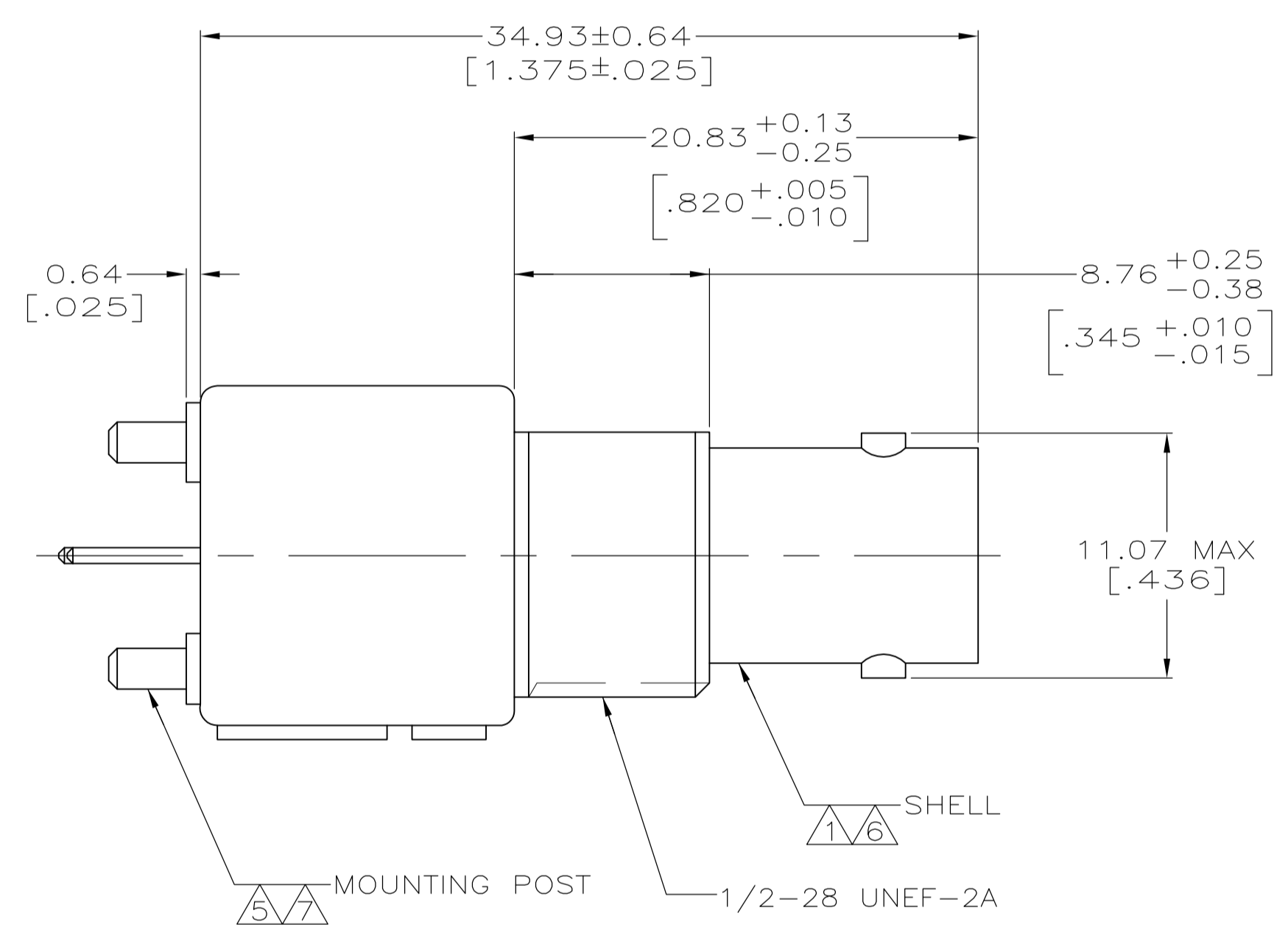
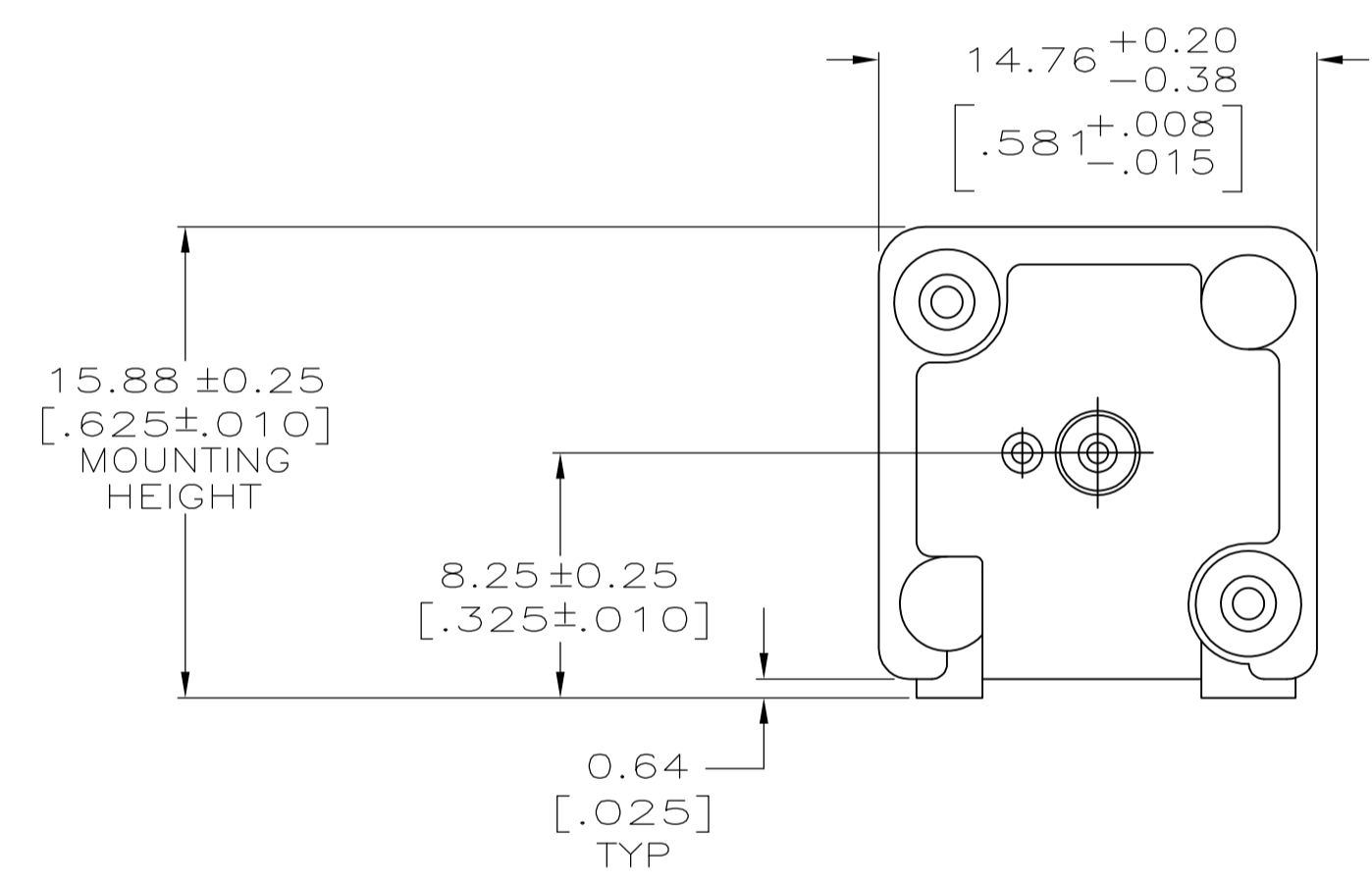
Address: A1208, Overseas Decoration Building, #122 Zhenhua RD., Futian, Shenzhen, China



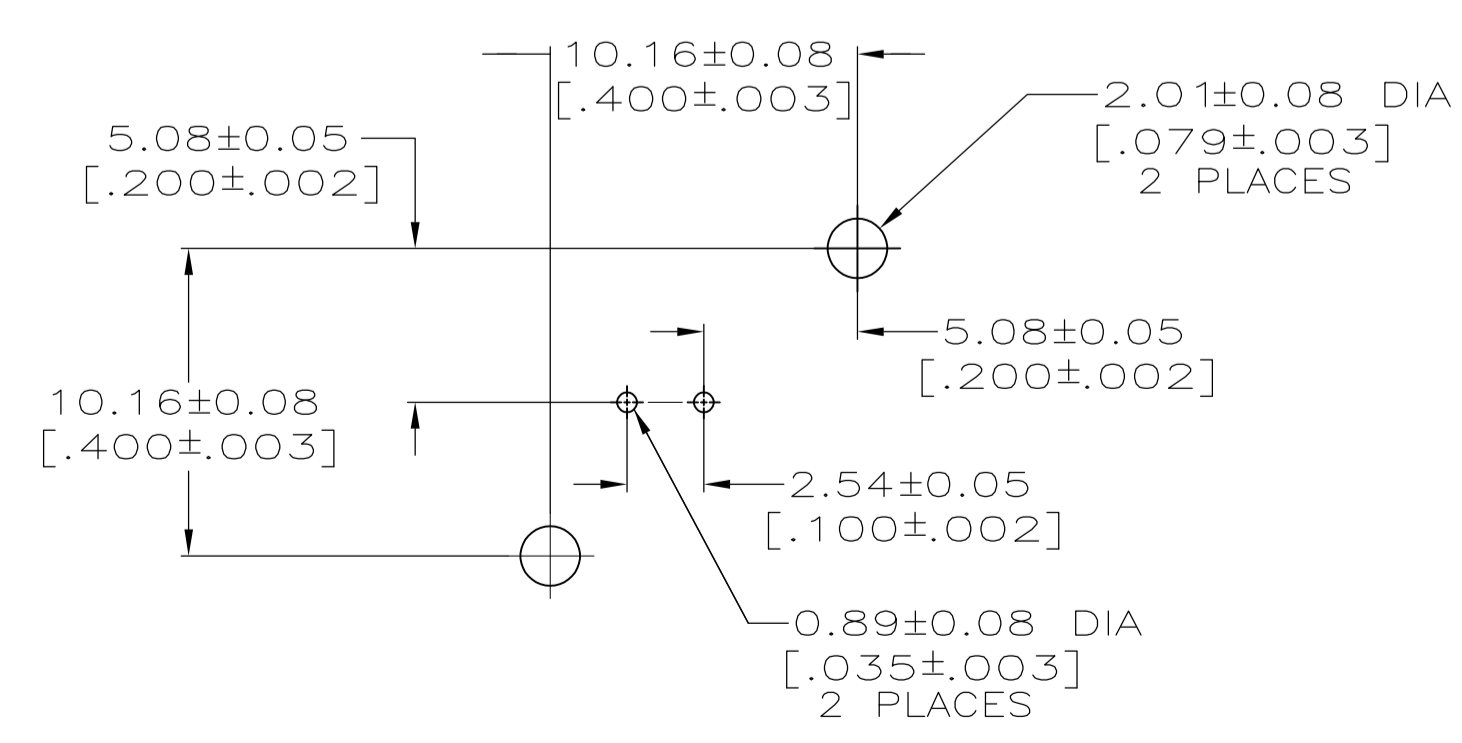
LOC	DIST	REVISIONS			
P	LTR	DESCRIPTION	DATE	DN	APVD
AJ	16	A1	REVISED PER ECO-11-005030	11MAR11	RK HMR



- 1 ZINC PER QQ-Z-363.
- 2 POLYMETHYLPENTENE, GENERAL PURPOSE.
- 3 BERYLLIUM COPPER PER QQ-C-530.
- 4 BRASS PER ASTM-B-453.
- 5 BRASS PER ASTM-B-16.
- 6 NICKEL PLATE PER QQ-N-290, 3.81 μm [.000150] MINIMUM THICK.
- 7 TIN PLATE PER ASTM-B-545, 3.81 μm [.000150] MINIMUM THICK.
- 8 GOLD PLATE PER MIL-G-45204, 0.76 μm [.000030] MINIMUM THICK.
- 9. SEE INSTRUCTION SHEET 408-2769.



RECOMMENDED PANEL CUTOUT



PCB CONFIGURATION

5222132-1
PART NUMBER

THIS DRAWING IS A CONTROLLED DOCUMENT.		DIN J. ALCORTA - 21APR2005 DOCK5 21APR2005 CJK J. HAVENER 21APR2005 APVD J. LIPPERT 21APR2005 NAME PRODUCT SPEC APPLICATION SPEC SIZE CAGE CODE DRAWING NO WEIGHT RESTRICTED TO
DIMENSIONS: mm (INCHES) TOLERANCES UNLESS OTHERWISE SPECIFIED: 0 PLC ± - 1 PLC ± - 2 PLC ± 0.20 [.008] 3 PLC ± - 4 PLC ± - ANGLES ± -	MATERIAL SEE NOTES 1-5 FINISH SEE NOTES 6-8	JACK, VERTICAL, PCB 75 OHM, SERIES BNC A1 00779 C=5222132 CUSTOMER DRAWING SCALE 4:1 SHEET 1 OF 1 REV A1